



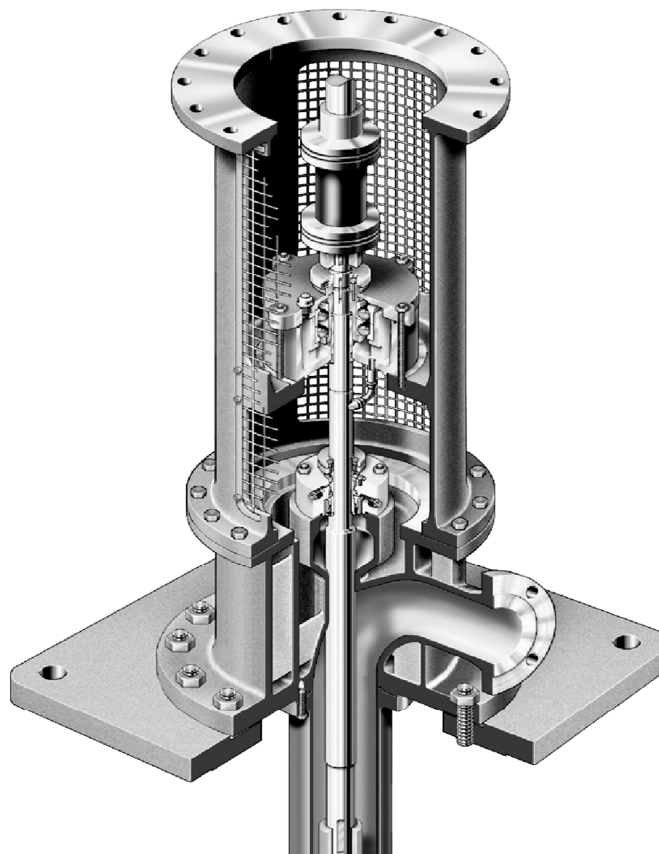
USER INSTRUCTIONS


Vertical turbine pumps (VTP) and double casing pumps (VPC) with thrust bearing assembly

Installation Operation Maintenance

E, S and A series wet pit or suction barrel VTPs ranging in sizes 50 mm (6 in.) to 1 300 mm (52 in.) with a single or multiple stages. (This manual does not cover VTPs used in cryogenic service and VTPs built without thrust bearing assemblies.)

PCN=71569254 01-13 (E). Original instructions.



 ***These instructions must be read prior to installing, operating, using and maintaining this equipment.***

Experience In Motion

CONTENTS

	Page		Page
1 INTRODUCTION AND SAFETY.....	4	6 MAINTENANCE	41
1.1 General	4	6.1 General	41
1.2 CE marking and approvals.....	4	6.2 Maintenance schedule.....	42
1.3 Disclaimer	4	6.3 Spare parts	44
1.4 Copyright.....	4	6.4 Recommended spares and	
1.5 Duty conditions.....	4	consumable items	45
1.6 Safety	5	6.5 Tools required	45
1.7 Nameplate and safety labels.....	8	6.6 Fastener torques.....	45
1.8 Specific machine performance.....	8	6.7 Setting impeller clearance	46
1.9 Noise level.....	8	6.8 Disassembly	46
2 TRANSPORT AND STORAGE.....	9	6.9 Examination of parts.....	48
2.1 Consignment receipt and unpacking.....	9	6.10 Assembly	50
2.2 Handling	10	7 FAULTS; CAUSES AND REMEDIES.....	51
2.3 Lifting.....	10	8 PARTS LIST AND DRAWINGS	53
2.4 Storage.....	13	8.1 Cross section: product lubricated VTP	53
2.5 Recycling and end of product life.....	13	8.2 Cross section: enclosed tube VTP	56
3 DESCRIPTION	13	8.3 Cross section: Suction barrel VTP.....	59
3.1 Configurations	13	8.4 Bill of materials reference numbers	62
3.2 Nomenclature	16	8.5 General arrangement drawing.....	67
3.3 Design of major parts.....	17	9 CERTIFICATION.....	67
3.4 Performance and operating limits	22	10 OTHER RELEVANT DOCUMENTS AND	
4 INSTALLATION.....	22	MANUALS	67
4.1 Location.....	22	10.1 Supplementary User Instructions	67
4.2 Preparation.....	22	10.2 Change notes	67
4.3 Foundation	22	10.3 Order specific documents.....	67
4.4 Grouting	24		
4.5 Lifting and assembly	24		
4.6 Initial alignment	28		
4.7 Piping	29		
4.8 Electrical connections	31		
4.9 Final shaft alignment check	32		
4.10 Protection systems.....	32		
5 COMMISSIONING START-UP, OPERATION			
AND SHUTDOWN	32		
5.1 Pre-commissioning procedure	32		
5.2 Pump lubrication	32		
5.3 Impeller adjustment.....	35		
5.4 Direction of rotation	36		
5.5 Guarding	36		
5.6 Priming and auxiliary supplies	37		
5.7 Starting the pump.....	37		
5.8 Operating the pump	40		
5.9 Stopping and shutdown	41		
5.10 Hydraulic, mechanical and electrical duty...	41		

INDEX

Alignment of shafting (see 4.6 and 4.9)	
CE marking and approvals (1.2).....	4
Clearances (see 6.7)	46
Commissioning and operation (see 5).....	32
Configurations (3.1)	13
Direction of rotation (5.4)	36
Dismantling (see 6.8, Disassembly)	46
Duty conditions (1.5).....	4
Electrical connections (4.8)	31
Examination of parts (6.9)	48
Faults; causes and remedies (7)	51
General assembly drawings (see 8).....	53
Grouting (4.4).....	24
Guarding (5.5).....	36
Handling (2.2)	10
Hydraulic, mechanical and electrical duty (5.10).....	41
Lifting (2.3).....	10
Location (4.1).....	22
Lubrication schedule (see 5.2, Pump lubrication) ...	32
Maintenance schedule (6.2)	42
Piping (4.7)	29
Priming and auxiliary supplies (5.6).....	37
Reassembly (see 6.10).....	50
Replacement parts (see 6.3 and 6.4)	44/45
Safety, protection systems (see 1.6 and 4.10)	
Sound level (see 1.9, Noise level)	8
Specific machine performance (1.8).....	8
Starting the pump (5.7).....	37
Stopping and shutdown (5.9).....	41
Storage (2.4).....	13
Supplementary manuals or information sources	67
Tools required (6.5)	45
Torques for fasteners (6.6)	45

1 INTRODUCTION AND SAFETY

1.1 General



These instructions must always be kept close to the product's operating location or directly with the product.

Flowserve's products are designed, developed and manufactured with state-of-the-art technologies in modern facilities. The unit is produced with great care and commitment to continuous quality control, utilizing sophisticated quality techniques and safety requirements.

Flowserve is committed to continuous quality improvement and being at service for any further information about the product in its installation and operation or about its support products, repair and diagnostic services.

These instructions are intended to facilitate familiarization with the product and its permitted use. Operating the product in compliance with these instructions is important to help ensure reliability in service and avoid risks. The instructions may not take into account local regulations; ensure such regulations are observed by all, including those installing the product. Always coordinate repair activity with operations personnel, and follow all plant safety requirements, applicable safety and health laws and regulations.



These instructions must be read prior to installing, operating, using and maintaining the equipment in any region worldwide. The equipment must not be put into service until all the conditions relating to safety noted in the instructions, have been met. Failure to follow and apply the present user instructions is considered to be misuse. Personal injury, product damage, delay or failure caused by misuse are not covered by the Flowserve warranty.

1.2 CE marking and approvals

It is a legal requirement that machinery and equipment put into service within certain regions of the world shall conform with the applicable CE Marking Directives covering Machinery and, where applicable, Low Voltage Equipment, Electromagnetic Compatibility (EMC), Pressure Equipment Directive (PED) and Equipment for Potentially Explosive Atmospheres (ATEX).

Where applicable the Directives and any additional Approvals cover important safety aspects relating to machinery and equipment and the satisfactory provision of technical documents and safety instructions.

Where applicable this document incorporates information relevant to these Directives and Approvals.

To confirm the approvals applying and if the product is CE marked, check the serial number plate markings and the Certification. (See section 9, *Certification*.)

1.3 Disclaimer

Information in these User Instructions is believed to be complete and reliable. However, in spite of all of the efforts of Flowserve Corporation to provide comprehensive instructions, good engineering and safety practice should always be used.

Flowserve manufactures products to exacting International Quality Management System Standards as certified and audited by external Quality Assurance organizations. Genuine parts and accessories have been designed, tested and incorporated into the products to help ensure their continued product quality and performance in use. As Flowserve cannot test parts and accessories sourced from other vendors the incorrect incorporation of such parts and accessories may adversely affect the performance and safety features of the products. The failure to properly select, install or use authorized Flowserve parts and accessories is considered to be misuse. Damage or failure caused by misuse is not covered by the Flowserve warranty. In addition, any modification of Flowserve products or removal of original components may impair the safety of these products in their use.

1.4 Copyright

All rights reserved. No part of these instructions may be reproduced, stored in a retrieval system or transmitted in any form or by any means without prior permission of Flowserve.

1.5 Duty conditions

This product has been selected to meet the specifications of your purchase order. The acknowledgement of these conditions has been sent separately to the Purchaser. A copy should be kept with these instructions.




The product must not be operated beyond the parameters specified for the application. If there is any doubt as to the suitability of the product for the application intended, contact Flowserve for advice, quoting the serial number.


If the conditions of service on your purchase order are going to be changed, (for example liquid pumped, temperature or duty) it is requested that the user seeks Flowserve's written agreement before startup.


1.6 Safety


1.6.1 Summary of safety markings


These User Instructions contain specific safety markings where non-observance of an instruction would cause hazards. The specific safety markings are:


 **DANGER** This symbol indicates electrical safety instructions where non-compliance will involve a high risk to personal safety or the loss of life.

 This symbol indicates safety instructions where non-compliance would affect personal safety and could result in loss of life.

 This symbol indicates "hazardous and toxic fluid" safety instructions where non-compliance would affect personal safety and could result in loss of life.

 **CAUTION** This symbol indicates safety instructions where non-compliance will involve some risk to safe operation and personal safety and would damage the equipment or property.

 This symbol indicates explosive atmosphere zone marking according to ATEX. It is used in safety instructions where non-compliance in the hazardous area would cause the risk of an explosion.

 This symbol is used in safety instructions to remind not to rub non-metallic surfaces with a dry cloth; ensure the cloth is damp. It is used in safety instructions where non-compliance in the hazardous area would cause the risk of an explosion.

Note: This sign is not a safety symbol but indicates an important instruction in the assembly process.


1.6.2 Personnel qualification and training


All personnel involved in the operation, installation, inspection and maintenance of the unit must be qualified to carry out the work involved. If the personnel in question do not already possess the necessary knowledge and skill, appropriate training and instruction must be provided. If required, the operator may commission the manufacturer/supplier to provide applicable training.


Always coordinate repair activity with operations and health and safety personnel, and follow all plant safety requirements and applicable safety and health laws and regulations.

1.6.3 Safety action


This is a summary of conditions and actions to prevent injury to personnel and damage to the environment and to equipment. For products used in potentially explosive atmospheres, section 1.6.4 also applies.


 **DANGER** NEVER DO MAINTENANCE WORK WHEN THE UNIT IS CONNECTED TO POWER


 **GUARDS MUST NOT BE REMOVED WHILE THE PUMP IS OPERATIONAL**

 **DRAIN THE PUMP AND ISOLATE PIPEWORK BEFORE DISMANTLING THE PUMP**

The appropriate safety precautions should be taken where the pumped liquids are hazardous.


 **FLUORO-ELASTOMERS (When fitted.)**
When a pump has experienced temperatures over 250 °C (482 °F), partial decomposition of fluoro-elastomers (example: Viton) will occur. In this condition, these are extremely dangerous and skin contact must be avoided.

 **HANDLING COMPONENTS**
Many precision parts have sharp corners and the wearing of appropriate safety gloves and equipment is required when handling these components. To lift heavy pieces above 25 kg (55 lb.) use a crane appropriate for the mass and in accordance with current local regulations.

 **APPLYING HEAT TO REMOVE IMPELLER**
There may be occasions when the impeller has either been shrunk fit on to the pump shaft or has become difficult to remove due to products of corrosion.

If you elect to use heat to remove the impeller, it must be applied quickly to the impeller boss. **TAKE GREAT CARE!**

Before applying heat ensure any residual hazardous liquid trapped between the impeller and pump shaft is thoroughly drained out through the impeller keyway to prevent an explosion or emission of toxic vapour. This must be carried out with the shaft in the vertical position. On some pump sizes a cavity exists in the impeller bore so on occasions a significant volume of liquid may drain out.

 **THERMAL SHOCK**
Rapid changes in the temperature of the liquid within the pump can cause thermal shock that can result in damage or breakage of components and should be avoided.



HOT (and cold) PARTS

If hot or freezing components or auxiliary heating supplies can present a danger to operators and persons entering the immediate area action must be taken to avoid accidental contact. If complete protection is not possible, the machine access must be limited to maintenance staff only, with clear visual warnings and indicators to those entering the immediate area. Note: bearing housings must not be insulated and drive motors and bearings may be hot.

If the temperature is greater than 80 °C (175 °F) or below -5 °C (23 °F) in a restricted zone, or exceeds local regulations, action as above shall be taken.



HAZARDOUS LIQUIDS

When the pump is handling hazardous liquids care must be taken to avoid exposure to the liquid by appropriate siting of the pump, limiting personnel access and by operator training. If the liquid is flammable and or explosive, strict safety procedures must be applied.

Gland packing must not be used when pumping hazardous liquids.



CAUTION PREVENT EXCESSIVE EXTERNAL PIPE LOAD

Do not use pump as a support for piping. Do not mount expansion joints, unless allowed by Flowserve in writing, so that their force, due to internal pressure, acts on the pump flange.



CAUTION ENSURE CORRECT LUBRICATION
(See section 5, *Commissioning startup, operation and shutdown.*)



CAUTION START THE PUMP WITH OUTLET VALVE PARTLY OPENED

(Unless otherwise instructed at a specific point in the User Instructions.)

This is recommended to minimize the risk of overloading and damaging the pump motor at full or zero flow. Pumps may be started with the valve further open only on installations where this situation cannot occur. The pump outlet control valve may need to be adjusted to comply with the duty following the run-up process. (See section 5, *Commissioning start-up, operation and shutdown.*)



CAUTION INLET VALVES TO BE FULLY OPEN WHEN PUMP IS RUNNING

Running the pump at zero flow or below the recommended minimum flow continuously will cause damage to the pump and mechanical seal.



CAUTION NEVER RUN THE PUMP DRY



CAUTION DO NOT RUN THE PUMP AT ABNORMALLY HIGH OR LOW FLOW RATES

Operating at a flow rate higher than normal or at a flow rate with no backpressure on the pump may overload the motor and cause cavitation. Low flow rates may cause a reduction in pump/bearing life, overheating of the pump, instability, and cavitation/vibration.

1.6.4 Products used in potentially explosive atmospheres



Measures are required to:

- Avoid excess temperature
- Prevent build up of explosive mixtures
- Prevent the generation of sparks
- Prevent leakages
- Maintain the pump to avoid hazard

The following instructions for pumps and pump units when installed in potentially explosive atmospheres must be followed to help ensure explosion protection. For ATEX, both electrical and non-electrical equipment must meet the requirements of European Directive 94/9/EC. Always observe the regional legal Ex requirements eg Ex electrical items outside the EU may be required certified to other than ATEX eg IECEx, UL.

1.6.4.1 Scope of compliance



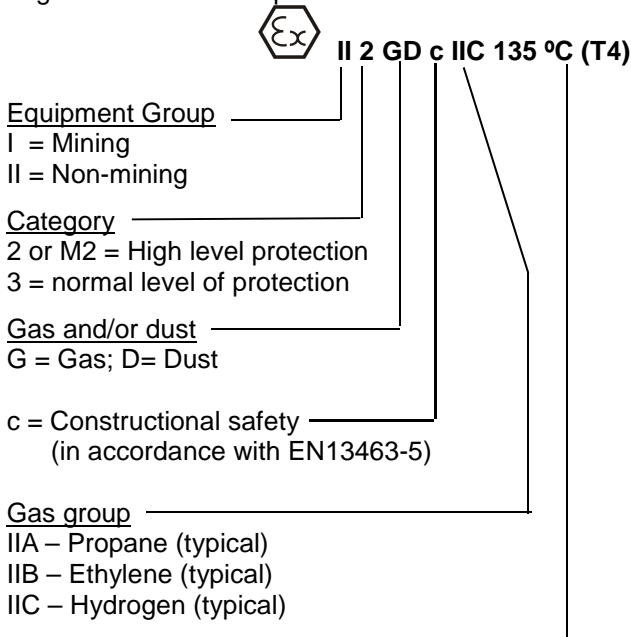
Use equipment only in the zone for which it is appropriate. Always check that the driver, drive coupling assembly, seal and pump equipment are suitably rated and/or certified for the classification of the specific atmosphere in which they are to be installed.

Where Flowserve has supplied only the bare shaft pump, the Ex rating applies only to the pump. The party responsible for assembling the ATEX pump set shall select the coupling, driver and any additional equipment, with the necessary CE Certificate/ Declaration of Conformity establishing it is suitable for the area in which it is to be installed.

The output from a variable frequency drive (VFD) can cause additional heating affects in the motor and so, for pumps sets with a VFD, the ATEX Certification for the motor must state that it covers the situation where electrical supply is from the VFD. This particular requirement still applies even if the VFD is in a safe area.

1.6.4.2 Marking

An example of ATEX equipment marking is shown below. The actual classification of the pump will be engraved on the nameplate.



Maximum surface temperature (Temperature Class)
(see section 1.6.4.3.)

1.6.4.3 Avoiding excessive surface temperatures

ENSURE THE EQUIPMENT TEMPERATURE CLASS IS SUITABLE FOR THE HAZARD ZONE

Pumps have a temperature class as stated in the ATEX Ex rating on the nameplate. These are based on a maximum ambient of 40 °C (104 °F); refer to Flowserve for higher ambient temperatures.

The surface temperature on the pump is influenced by the temperature of the liquid handled. The maximum permissible liquid temperature depends on the temperature class and must not exceed the values in the table that follows.

Temperature class to EN13463-1	Maximum surface temperature permitted	Temperature limit of liquid handled *
T6	85 °C (185 °F)	Consult Flowserve
T5	100 °C (212 °F)	Consult Flowserve
T4	135 °C (275 °F)	115 °C (239 °F)
T3	200 °C (392 °F)	180 °C (356 °F)
T2	300 °C (572 °F)	275 °C (527 °F)
T1	450 °C (842 °F)	400 °C (752 °F)

* The table only takes the ATEX temperature class into consideration. Pump design or material, as well as component design or material, may further limit the maximum working temperature of the liquid.

The temperature rise at the seals and bearings and due to the minimum permitted flow rate is taken into account in the temperatures stated.

The operator is responsible for ensuring that the specified maximum liquid temperature is not exceeded.

Temperature classification “Tx” is used when the liquid temperature varies and the pump could be installed in different hazardous atmospheres. In this case the user is responsible for ensuring that the pump surface temperature does not exceed that permitted in the particular hazardous atmosphere.

If an explosive atmosphere exists during the installation, do not attempt to check the direction of rotation by starting the pump unfilled. Even a short run time may give a high temperature resulting from contact between rotating and stationary components.

Where there is any risk of the pump being run against a closed valve generating high liquid and casing external surface temperatures, fit an external surface temperature protection device.

Avoid mechanical, hydraulic or electrical overload by using motor overload trips, temperature monitor or a power monitor and make routine vibration monitoring checks.

In dirty or dusty environments, make regular checks and remove dirt from areas around close clearances, bearing housings and motors.

1.6.4.4 Preventing the build-up of explosive mixtures

ENSURE THE PUMP IS PROPERLY FILLED AND VENTED AND DOES NOT RUN DRY

Ensure the pump and relevant suction and discharge pipeline system is completely filled with liquid at all times during the pump operation, so that an explosive atmosphere is prevented.

In addition, it is essential to make sure that seal chambers, auxiliary shaft seal systems and any heating and cooling systems are properly filled.

If the operation of the system cannot avoid this condition, fit an appropriate dry run protection device (for example liquid detection or a power monitor).

To avoid potential hazards from fugitive emissions of vapor or gas to the atmosphere the surrounding area must be well ventilated.

1.6.4.5 Preventing sparks



To prevent a potential hazard from mechanical contact, the coupling guard must be non-sparking.

To avoid the potential hazard from random induced current generating a spark, the base plate must be properly grounded.



Avoid electrostatic charge: do not rub non-metallic surfaces with a dry cloth; ensure cloth is damp.

For ATEX applications the coupling must be selected to comply with 94/9/EC. Correct coupling alignment must be maintained.

Additional requirement for metallic pumps on non-metallic base plates

When metallic components are fitted on a non-metallic base plate they must be individually earthed.

1.6.4.6 Preventing leakage



The pump must only be used to handle liquids for which it has been approved to have the correct corrosion resistance.

Avoid entrapment of liquid in the pump and associated piping due to closing of suction and discharge valves, which could cause dangerous excessive pressures to occur if there is heat input to the liquid. This can occur if the pump is stationary or running.

Bursting of liquid containing parts due to freezing must be avoided by draining or protecting the pump and auxiliary systems.

Where there is the potential hazard of a loss of a seal barrier fluid or external flush, the fluid must be monitored.

If leakage of liquid to atmosphere can result in a hazard, install a liquid detection device.

1.6.4.7 Maintenance to avoid the hazard



CORRECT MAINTENANCE IS REQUIRED TO AVOID POTENTIAL HAZARDS WHICH GIVE A RISK OF EXPLOSION

The responsibility for compliance with maintenance instructions is with the plant operator.

To avoid potential explosion hazards during maintenance, the tools, cleaning and painting materials used must not give rise to sparking or

adversely affect the ambient conditions. Where there is a risk from such tools or materials, maintenance must be conducted in a safe area.

It is recommended that a maintenance plan and schedule is adopted. (See section 6, *Maintenance*.)

1.7 Nameplate and safety labels

1.7.1 Nameplate

For details of nameplate, see the *Declaration of Conformity*, or separate documentation included with these User Instructions.

1.7.2 Safety labels

FLOWSERVE		WARNING	J218JZ250
ESSENTIAL PROCEDURES BEFORE STARTING:			
INSTALL AND OPERATE EQUIPMENT IN ACCORDANCE WITH THE INSTRUCTION MANUAL SUPPLIED SEPARATELY. ENSURE GUARDS ARE SECURELY IN PLACE. ENSURE CORRECT DIRECTION OF ROTATION.	ENSURE ALL EXTERNAL CONNECTIONS TO THE PUMP / SHAFT SEALING AND DRIVER ARE CONNECTED AND OPERATIONAL. FULLY PRIME UNIT AND SYSTEM. DO NOT RUN UNIT DRY. FAILURE TO FOLLOW THESE PROCEDURES MAY RESULT IN PERSONAL INJURY AND / OR EQUIPMENT DAMAGE		

ENSURE UNIT ON A FIRM FOUNDATION AND THAT COUPLING FACES ARE IN CORRECT ALIGNMENT PRIOR TO AND AFTER BOLTING BASEPLATE DOWN AND FIXING PIPEWORK. SEE MANUAL FOR TOLERANCES. S'ASSURER QUE LE GROUPE ELECTROPOMPE EST FERMEMENT INSTALLE SUR SON MASSIF. VERIFIER LE LIGNAGE DE L'ACCOUPLLEMENT AVANT ET APRES FIXATION DU SOCLE ET DE LA TUYAUTERIE. VOIR LES TOLERANCES D'ALIGNMENT SUR LA NOTICE	PUMP MUSS AUF FESTEM FUNDAMENT STEHEN. KUPPLUNGSHÄLFTEN KORREKT AXIAL AUSRICHTEN. DANN PUMPE AUF GRUNDPLATTE FESTSPANNEN UND ANSCHLUSSLEITUNGEN BEFESTIGEN. TOLERANZEN S. BEDIEUNGSANLEITUNG. ZORG DAT POMPEENHEID OP EEN STEVIGE ONDERGROND OPGESTELD STAAT EN DAT KOPPELING CORRECT UITGELIJNT IS ZOWEL VOOR-ALS NADAT DE GRONDPLAAT MET BOUTEN IS VASTGEZET EN DE LEIDINGEN GEINSTALLEERD ZIJN. ZIE HANDLEIDING VOOR TOELAABARE SPELINGEN.	J218/268
CDC: 603 604 610 612 621 623 624		

Oil lubricated units only:

J218JZ262	
WARNING ATTENTION ACHTUNG WAARSCHUWING	THIS MACHINE MUST BE FILLED WITH OIL BEFORE STARTING CETTE MACHINE DOIT ÊTRE REMPLIE D'HUILE AVANT LA MISE EN MARCHÉ DIESE MASCHINE IST VOR DEM STARTEN MIT ÖL ZÜ FULLEN DEZE MACHINE MOET VOOR HET STARTEN MET OLIE GEVULD WORDEN
CDC: 603 604 610 612 621 623 624	

1.8 Specific machine performance

For performance parameters see section 1.5, *Duty conditions*. When the contract requirement specifies these to be incorporated into User Instructions these are included here. Where performance data has been supplied separately to the purchaser these should be obtained and retained with these User Instructions if required.

1.9 Noise level

Attention must be given to the exposure of personnel to the noise, and local legislation will define when guidance to personnel on noise limitation is required, and when noise exposure reduction is mandatory. This is typically 80 to 85 dBA.

The usual approach is to control the exposure time to the noise or to enclose the machine to reduce emitted sound. You may have already specified a limiting noise level when the equipment was ordered, however if no noise requirements were defined, then attention is drawn to the following table to give an indication of equipment noise level so that you can take the appropriate action in your plant.

Pump noise level is dependent on a number of operational factors, flow rate, pipework design and acoustic characteristics of the building, and so the values given are subject to a 3 dBA tolerance and cannot be guaranteed.

Similarly the motor noise assumed in the “pump and motor” noise is that typically expected from standard and high efficiency motors when on load directly driving the pump. Note that a motor driven by an inverter may show an increased noise at some speeds.

If a pump unit only has been purchased for fitting with your own driver then the “pump only” noise levels in the table should be combined with the level for the driver obtained from the supplier. Consult Flowserve or a noise specialist if assistance is required in combining the values.

It is recommended that where exposure approaches the prescribed limit, then site noise measurements should be made.

The values are in sound pressure level L_{pA} at 1 m (3.3 ft) from the machine, for “free field conditions over a reflecting plane”.

For estimating sound power level L_{WA} (re 1pW) then add 17 dBA to the sound pressure value.

Note: The noise levels shown in table 1.9.1 are extracted from typical motor manufacturer’s data/catalogue to provide the average expected motor noise values at no load for reference only and are not guaranteed. The values could vary depending upon the test and surrounding conditions. The combined noise level of the pump and the motor could exceed the values shown. It is to be noted that adding motors with similar noise levels increases the total noise level. Therefore the dB correction to the values listed is required to obtain the combined noise levels of motor and the pump. Actual on-site noise measurement by experts is recommended and safety measures are to be taken accordingly.

1.9.1 Typical vertical motor noise data

Motor frame size. NEMA	rpm	Sound pressure (dBA) (WP- I enclosure)	Sound power (dBA) (WP- I enclosure)
180	3 600	70.0	78.0
	1 800	60.0	68.0
	1 200 and slower	55.0	63.0
210	3 600	70.0	78.2
	1 800	60.0	68.2
	1 200	55.0	63.2
250	3 600	75.0	83.4
	1 800	70.0	78.4
	1 200	60.0	68.4
280	3 600	75.0	83.8
	1 800	70.0	78.8
	1 200 and slower	60.0	68.8
320	3 600	75.0	84.0
	1 800	65.0	74.0
	1 200 and slower	65.0	74.0
360	3 600	75.0	84.2
	1 800	65.0	74.2
	1 200 and slower	65.0	74.2
400	3 600	80.0	89.5
	1 800	70.0	79.5
	1 200 and slower	65.0	74.5
440	3 600	80.0	90.0
	1 800	70.0	80.0
	1 200 and slower	70.0	80.0
449	1 800	85.0	97.8
	1 200 and slower	80.0	92.8
5 000	3 600	90.0	102.8
	1 800	85.0	97.8
	1 200 and slower	80.0	92.8
5 800	3 600	90.0	103.7
	1 800	90.0	103.7
	1 200 and slower	80.0	93.7
6 800	1 800	90.0	103.9
	1 200 and slower	85.0	98.8
8 000	1 800	90.0	104.7
	1 200 and slower	85.0	99.7

2 TRANSPORT AND STORAGE

2.1 Consignment receipt and unpacking

Immediately after receipt of the equipment, it must be checked against the delivery and shipping documents for its completeness and that there has been no damage in transportation.

Any shortage and or damage must be reported immediately to Flowserve and received in writing within one month of receipt of the equipment. Later claims cannot be accepted.

Check any crate, boxes and wrappings for any accessories or spare parts that may be packed separately with the equipment or attached to sidewalls of the box or equipment.

Each product has a unique serial number. Check that this number corresponds with that advised and always quote this number in correspondence as well as when ordering spare parts or further accessories.

2.2 Handling

Boxes, crates, pallets or cartons may be unloaded using forklift vehicles or slings dependent on their size and construction.

2.3 Lifting

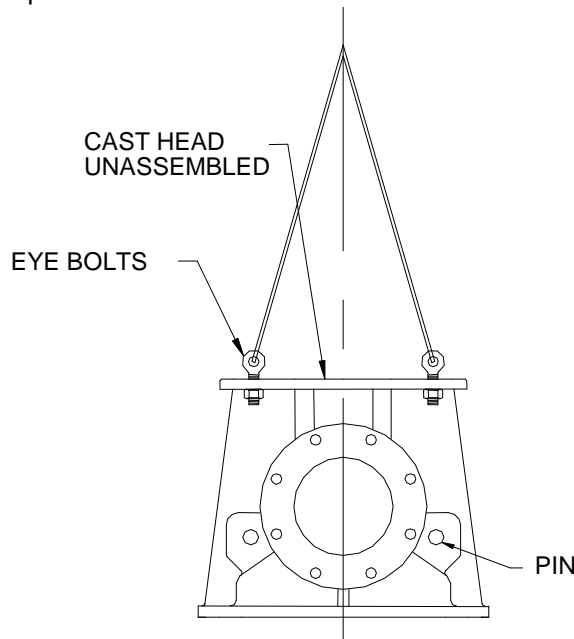


Equipment in excess of 25Kg (55lbs) should be lifted by mechanical means. Fully trained personnel must carry out lifting, in accordance with local regulations.

Before lifting the driver alone, refer to the manufacturer's instructions.

2.3.1 Lifting of W-type cast discharge head (head only, pump not attached)

Lift the unassembled cast discharge heads (pump not attached) by installing eyebolts as shown using the flange mounting holes. Lower the head over shaft into place.

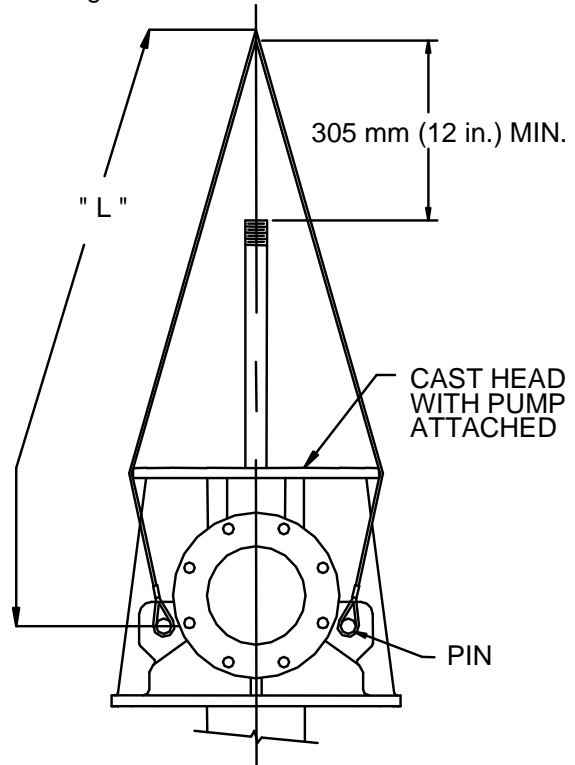


CAUTION

Do not use the lifting pins at the base of the discharge head while lifting unassembled cast discharge heads unless the discharge head is secured by slings to prevent overturning. **Never lift the completely assembled pump with eyebolts through this flange.**

2.3.2 Lifting of type-W cast discharge head with pump attached

Cast discharge heads with pump attached are recommended to be lifted by using pins suitable with that head size (refer to the table shown). The slings are attached as shown maintaining minimum length of the sling from the shaft end as shown in the detail.



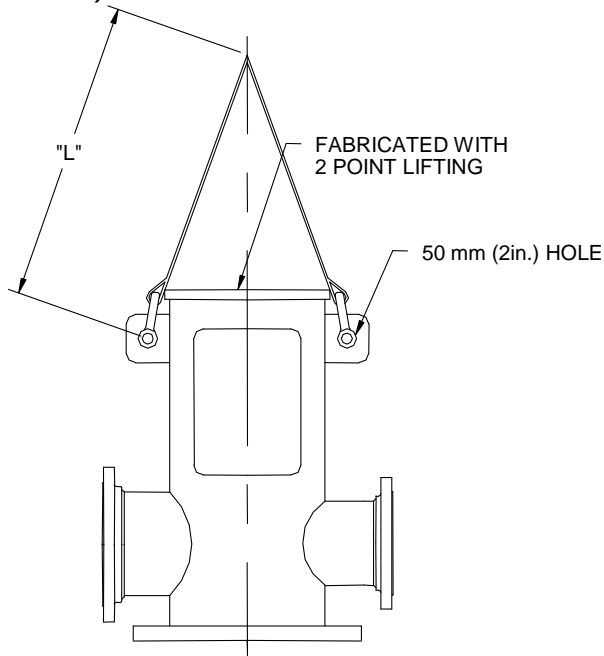
	Cast heads with discharge size mm (in.)				
	100 (4)	150 (6)	200 (8)	250 (10)	300 (12)
Pin diam.	25 (1)	32 (1.25)	32 (1.25)	32 (1.25)	38 (1.5)
L	1 220 (48)	1 370 (54)	1 370 (54)	1 520 (60)	1 520 (60)

"L" is approximate length.

2.3.3 Lifting of fabricated discharge heads (with or without the pump)

If the pump is supplied with a fabricated discharge head use 2 point or 3 point method of lifting as shown in the details provided in 2.3.3.1 and 2.3.3.2. This method is applicable to the lifting of discharge heads with or without the pump.

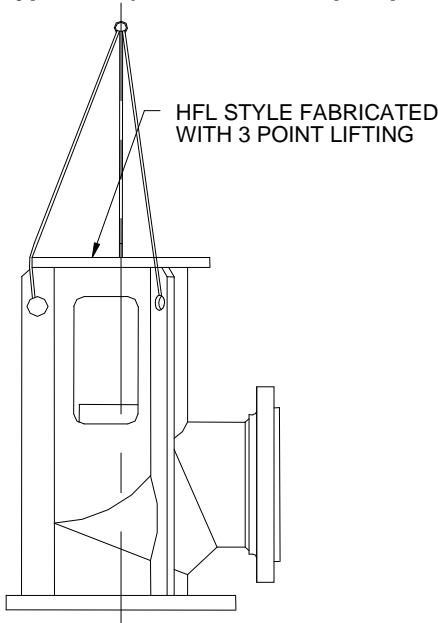
2.3.3.1 Two point lifting of fabricated discharge head types TF, UF and HFH (with or without pump attached)



	Fabricated heads with discharge size mm (in.)		
	100 – 200 (4 – 8)	250 – 600 10 – 24)	700 – 900 (28 – 36)
Pin diam.	30 (1.25)	38 (1.50)	44 (1.75)
L	< 2 300 (< 5 000)	< 4 500 (< 10 000)	< 6 800 (<15 000)

"L" is approximate length.

2.3.3.2 Three point lifting of fabricated discharge head of type HFL (with or without pump attached)

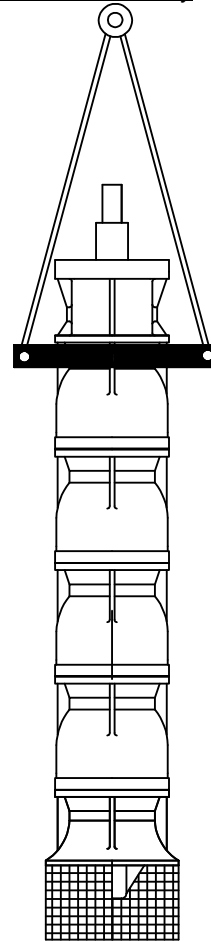


2.3.4 Lifting of bowl assembly only

Clamp the bowl assembly and center the lifting hook for lifting and lowering the assembly into the sump/suction barrel.

- Lower the bowl assembly until the clamp extensions rest on the foundation (use appropriate supports).
- Build the very first section of the column piping and lower the entire assembly to assemble the next column section.
- Continue to build until it is ready for discharge head assembly.
- Install the discharge head.
- Assemble the motor.

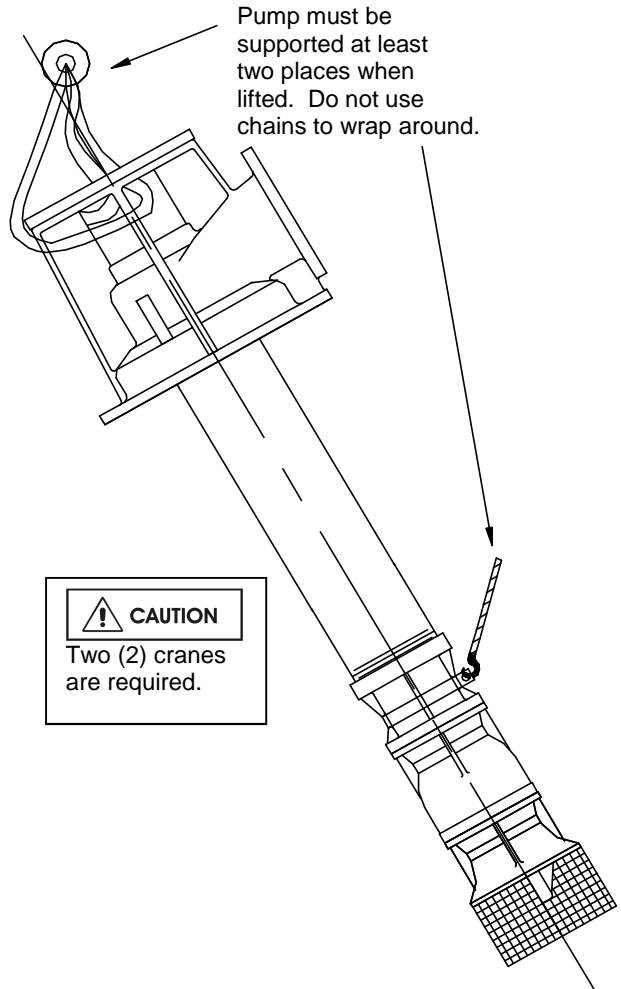
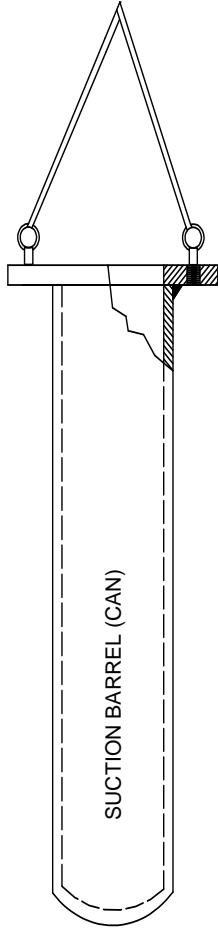
Example: lifting of bowl assembly



2.3.5 Lifting of suction barrel

Suction barrel (also referred as 'Can') is always supplied separately and has to be installed into the sump first. Install eyebolts on the flange of the suction barrel and attach slings and straps to bring the suction barrel to a vertical position. Move the barrel for installation. Provide hand support to prevent the suction barrel from swaying during movement.

Example: lifting of suction barrel



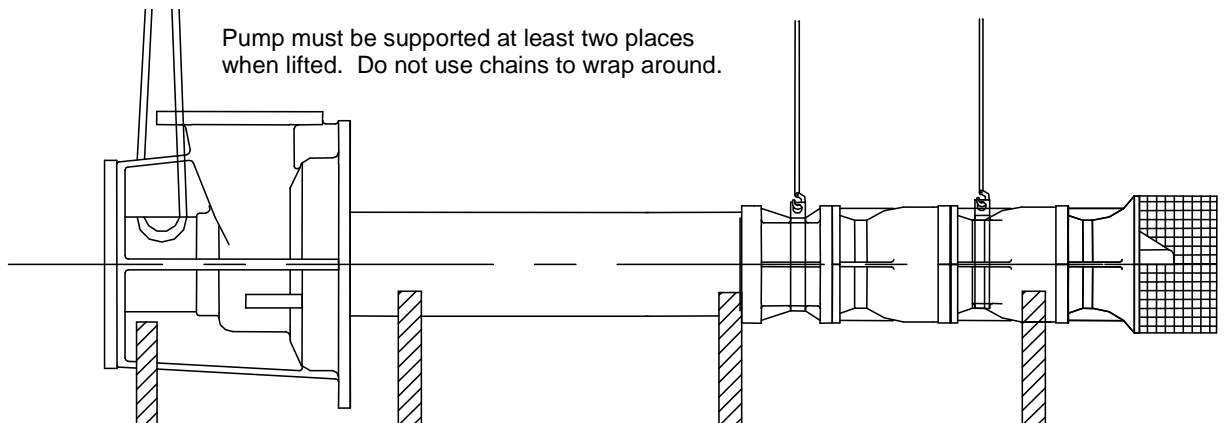
Pump must be supported at least two places when lifted. Do not use chains to wrap around.

CAUTION
Two (2) cranes are required.

2.3.6 Lifting of fully assembled pumps

If the pump is fully assembled, it has to be adequately strapped and supported at least two places before it can be lifted from the shipping crate and moved to the installation site. See details that follow. The same rules are applicable when the pump is pulled out from the sump and moved to another location.

CAUTION Examples shown here are for illustration only. See section 2.3 1 to 2.3.6 for specific lifting instructions based on design variations. The pumps vary in weight, length and physical appearances from the types shown here. Therefore before lifting is attempted exercise caution to prevent any injuries or loss of life.



Pump must be supported at least two places when lifted. Do not use chains to wrap around.

2.4 Storage



Store the pump in a clean, dry location away from vibration. Leave piping connection covers in place to keep dirt and other foreign material out of pump casing. Turn the pump at frequent intervals to prevent brinelling of the bearings and the seal faces, if fitted, from sticking.

2.4.1 Inspection before storage

- Inspect the preservative coating/painted surfaces on the various parts. Touch up the areas if necessary.
- Inspect all covers over pump openings and piping connections. If found damaged, remove the covers and inspect interiors of the opening for any deposits of foreign materials or water.
- If necessary, clean and preserve the interior parts as noted above to restore the parts to the "as shipped" condition. Replace covers and fasten securely.
- Exercise caution with pumps exposed to weather. Containers are not leak proof. Parts may be coated with a residual amount of protective coating, which will wash away if exposed to the elements.

2.4.2 Short term storage (up to 6 months)

Follow the steps given in section 2.4.1. Select a storage space so that the unit will not be subjected to excess moisture, extreme weather conditions, corrosive fumes, or other harmful conditions.



For driver storage instructions refer to driver manufacturer's User Instructions.

2.4.3 Long term or extended storage

If a situation arises for a long-term storage, (more than 6 months) please contact Flowserve for special storage instructions and warranty related information.

2.5 Recycling and end of product life

At the end of the service life of the product or its parts, the relevant materials and parts should be recycled or disposed of using an environmentally acceptable method and local regulations. If the product contains substances that are harmful to the environment, these should be removed and disposed of in accordance with current regulations. This also includes the liquids and or gases that may be used in the "seal system" or other utilities.



Make sure that hazardous substances are disposed of safely and that the correct personal protective equipment is used. The safety specifications must be in accordance with the current regulations at all times.

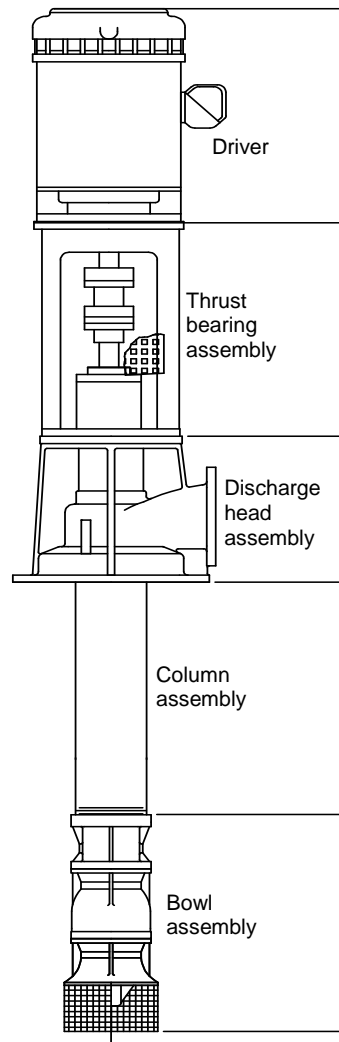
3 DESCRIPTION

Should questions arise concerning the pump, Flowserve will require the complete serial number to be of assistance. The serial number is stamped on a metal nameplate affixed to the discharge head assembly. The driver will have a separate nameplate attached to it. If you are requesting information on the driver, please provide both the driver serial number and the pump serial number for the Flowserve representative.

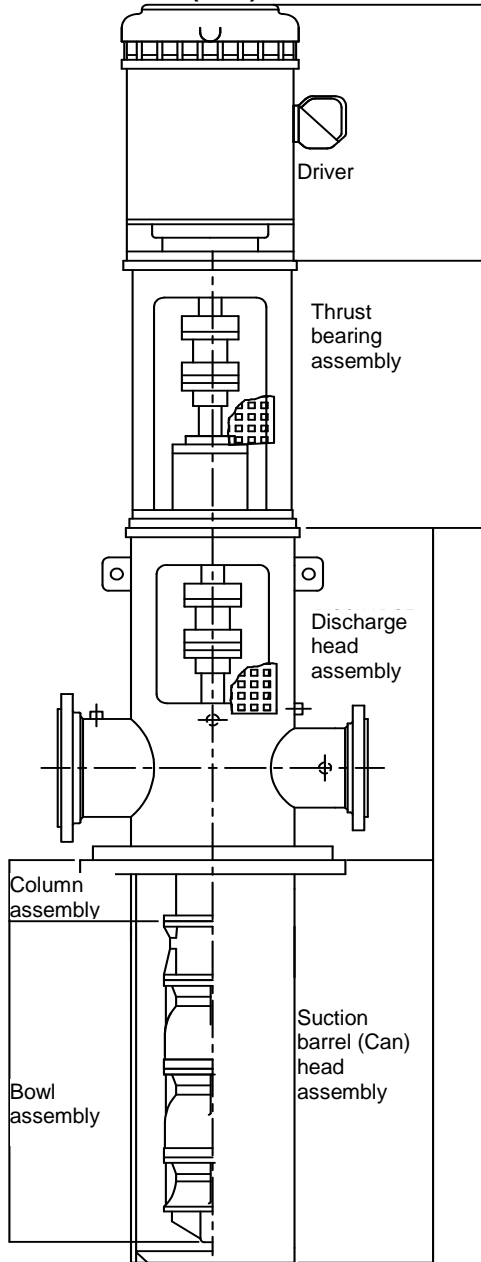
3.1 Configurations

VTPs, are engineered pumps as: (a) Wet pit type and (b) suction barrel (Can) type pumps. Most pumps are built with customer specific features and for applications such as water pumping stations, deep wells, storm water service, industrial and cryogenic applications. The pumps vary in size, impeller types and length, whether it is an open shaft or enclosed shaft designs and type of discharge head used.

3.1.1 Sump and deep well VTP

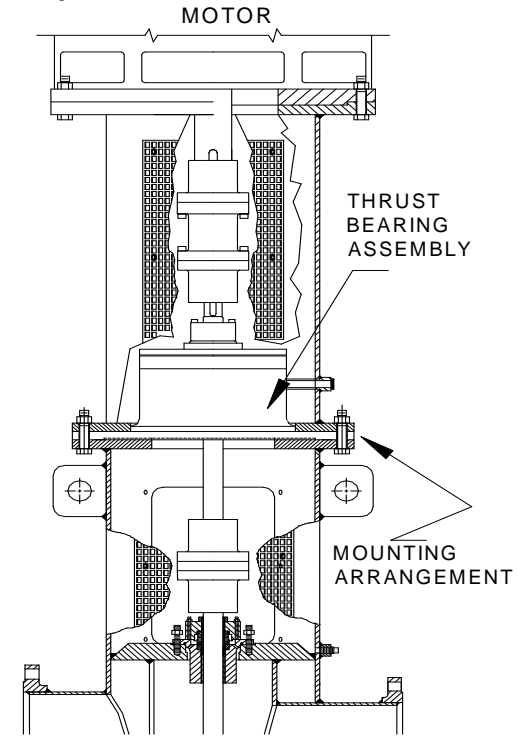


3.1.2 Suction barrel (Can) VTP

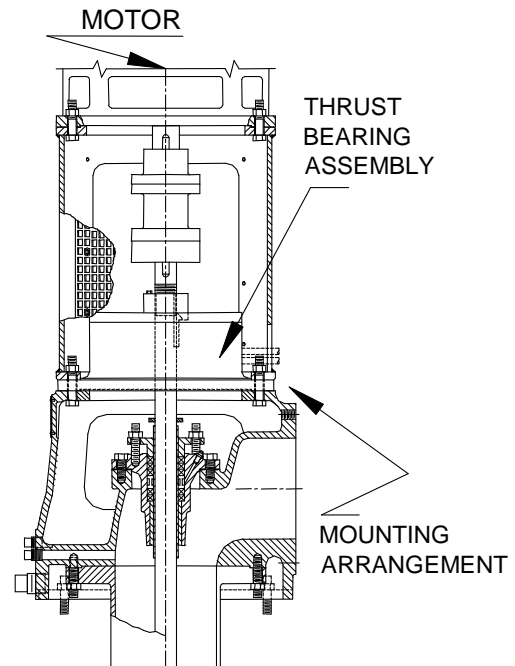


d) **Type-D:** Thrust bearings assembly mounted on top of the discharge head. (See section 3.1.3.4.)

3.1.3.1 **Type-A mounting of thrust bearing assembly**



Example of a fabricated discharge head



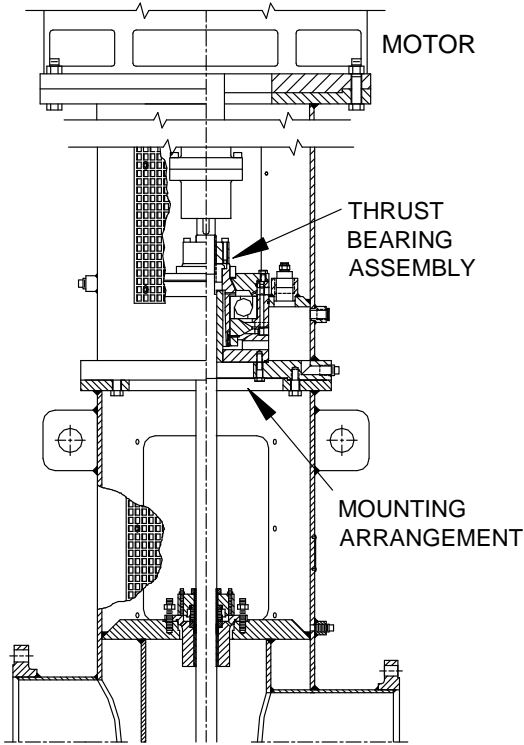
Example of a W-type discharge head

3.1.3 Mounting configurations of typical thrust bearing assembly (also referred as thrust pot)

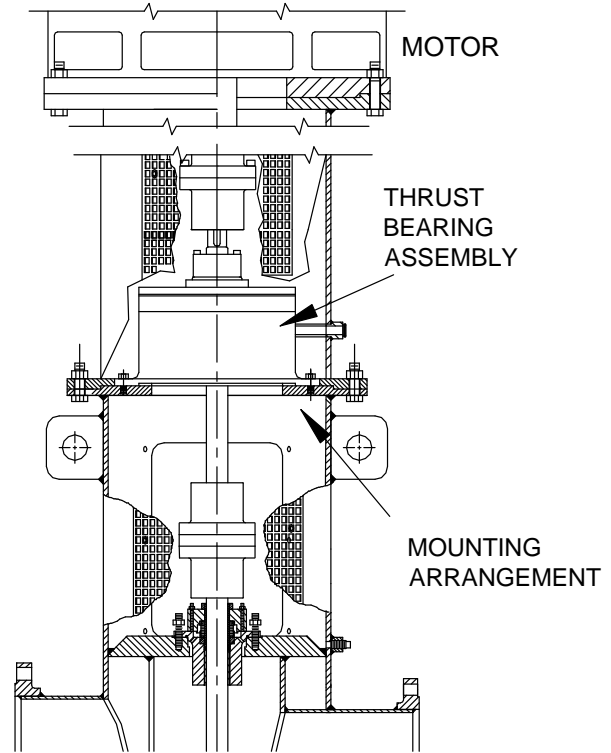
Depending upon the size of the pump and the type of thrust bearing assembly, mounting arrangement varies. Following are the most widely used mounting arrangements.

- a) **Type-A:** Thrust bearings assembly sandwiched between the discharge head flange and the motor stand. (See section 3.1.3.1.)
- b) **Type-B:** Thrust bearings assembly mounted as a part of the motor stand. (See section 3.1.3.2.)
- c) **Type-C:** Thrust bearings assembled as part of the discharge head. (See section 3.1.3.3.)

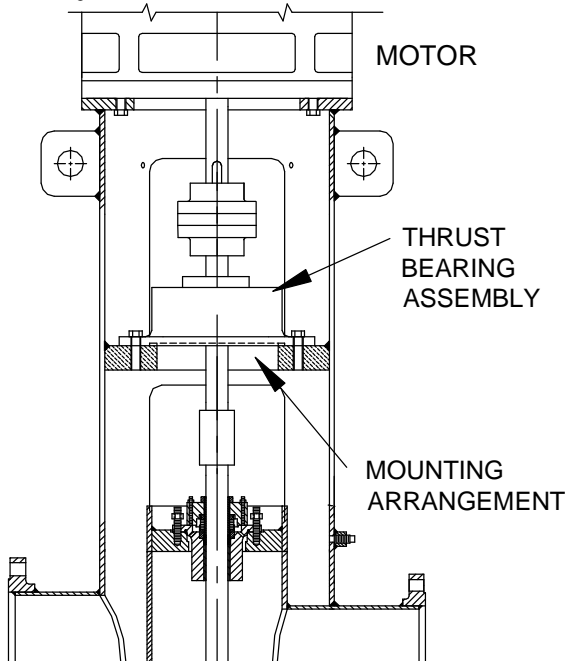
3.1.3.2 Type-B mounting of thrust bearing assembly



3.1.3.4 Type-D mounting of thrust bearing assembly



3.1.3.3 Type-C mounting of thrust bearing assembly



3.1.4 Most common VTP models with the thrust bearing assemblies

The VTP configurations shown in section 3.1.1 and 3.1.2 are typical for variety of VTP models with the bowl assemblies such as **EB, EG, EH, EJ, EK, EL, EM, EN, EP, EQ, SK, SL, SN, SP, SR, ST** and **AV**.

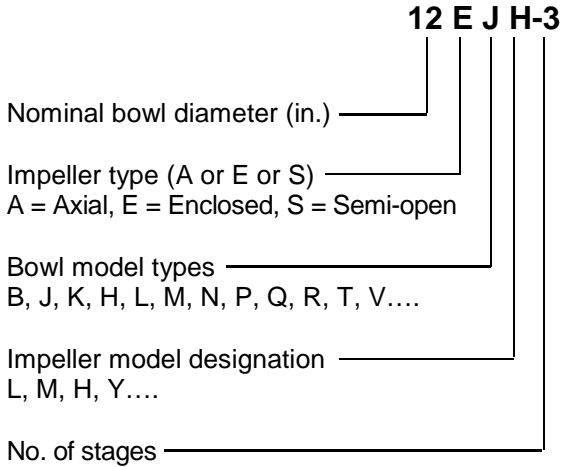
The impeller models in each of these pumps are designated separately (see section 3.2 for more details) and the pump sizes could vary from 150 mm (6 in.) to 1 300 mm (52 in.). The size expressed is nominal bowl diameter and measurement designation is always in **inches**.

Note: Vertical turbine pumps could be of single stage or multiple stages depending upon the application.

3.2 Nomenclature

The pump size/serial number will be engraved on the nameplate typically as below: The nameplate is attached to the discharge head assembly.

3.2.1 Bowl assembly nomenclature

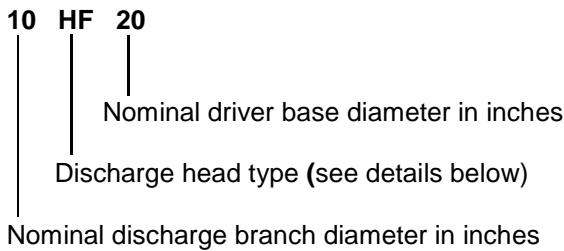


The typical nomenclature above is the general guide to the VTP configuration description. Identify the actual pump size and serial number from the pump nameplate. The driver will have a separate nameplate attached to it.

3.2.2 Discharge head nomenclature

Consists of alphanumeric code as follows:

Examples: 8W16, 10HF20, 6TF16....



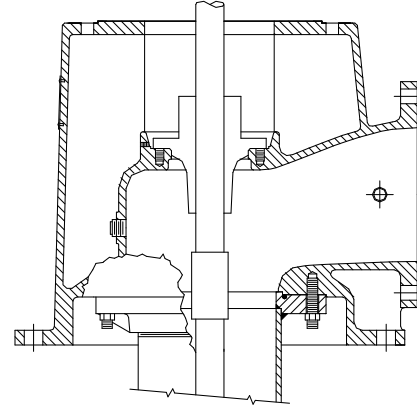
- W** = Cast head- for horizontal above the ground discharge
- HF** = Fabricated head for above the ground discharge
- TF and LF** = Fabricated heads with base flange
- UF** = Fabricated head for below ground discharge
- HFL** = Fabricated head for above ground discharge - low hp
- HFH** = Fabricated head for above the ground discharge -high hp (hp = horse power)

Please see section 3.2.2.1 for discharge head type identification.

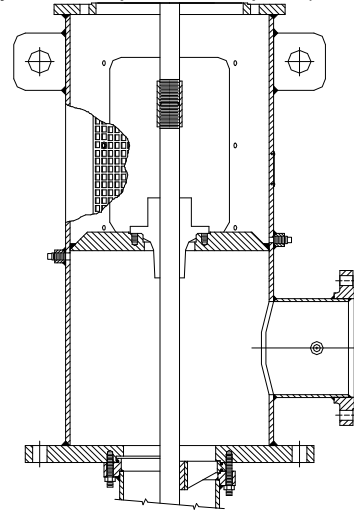
3.2.2.1 Types of discharge heads

Most common types of discharge heads. Details (a) to (g).

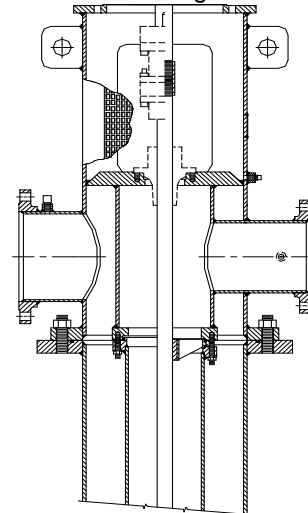
a) W type cast discharge head



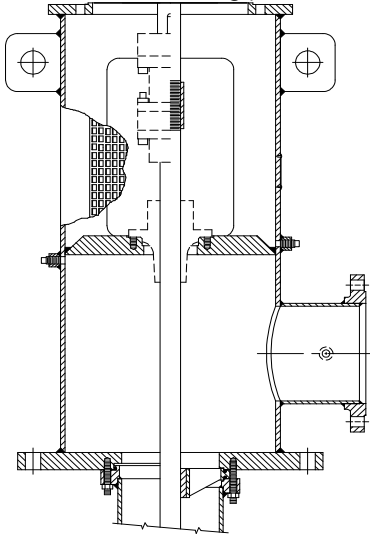
b) HF type fabricated discharge head (typically with a square base plate)



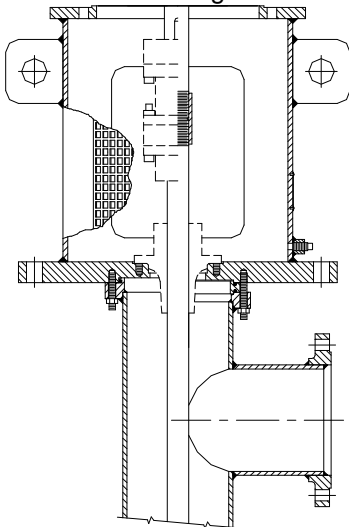
c) TF type fabricated discharge head



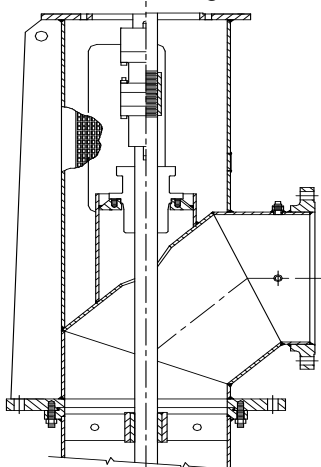
d) LF type fabricated discharge head. (Typically with a circular base plate - ANSI type. Also available with suction barrel mounting.)



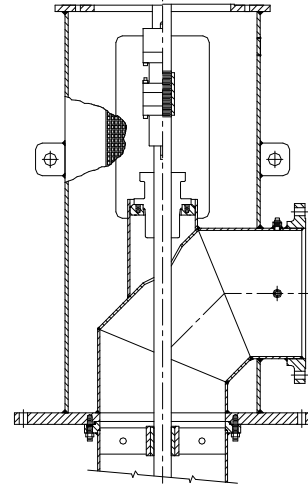
e) UF type fabricated discharge head



f) HFL type fabricated discharge head



g) HFH type fabricated discharge head



Note:

The discharge heads shown in section 3.2.2.1 (a) to (g) are for illustration only. The shaft and coupling arrangements vary. For the actual configuration of the purchased pump, please refer to the drawings supplied with the pump or order specific sectionals from Flowserve.

3.3 Design of major parts

Please refer to appendix for Europump part number equivalents

3.3.1 Drivers

A variety of drivers may be used however electric motors are most common. For the purposes of this manual, drivers can be grouped into two categories:

- Hollow shaft drivers: where the head shaft extends through a tube in the center of the rotor and is connected to the driver by a clutch assembly at the top of the driver. (Typically not used in VTPs with thrust bearing assembly.)
- Solid shaft drivers: where the rotor shaft is solid and projects below the driver-mounting base. This type of driver requires a coupling for connecting to the pump.

3.3.2 Discharge head assembly

(See also section 3.2.2.1.)

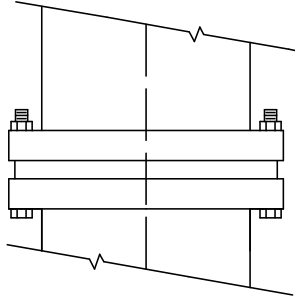
The discharge head supports the driver and bowl assembly as well as supplying a discharge connection in most cases.

A shaft sealing arrangement is located in the discharge head to seal the shaft at its exit from the liquid chamber. The shaft seal will usually be either a mechanical seal assembly or stuffing box with an open lineshaft or a tube-packing box with an enclosed lineshaft.

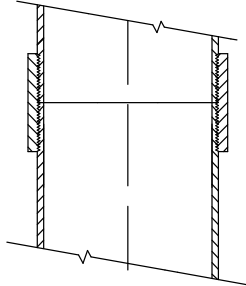
3.3.3 Column assembly

The column assembly consists of column pipe, which connects the bowl assembly to the discharge head and carries the pumped fluid to the discharge head. Houses and supports the shaft and may contain bearings. Typical column assemblies are:

a) Flanged column assembly



b) Threaded column assembly (sizes from 100 mm to 355 mm [4 in. to 14 in.] only)



The column supports shaft assembly that is either:

- Open lineshaft construction utilizing the fluid being pumped to lubricate the lineshaft bearings
- or
- Enclosed lineshaft construction has an enclosing tube around the lineshaft and utilizes oil or other fluid to lubricate the lineshaft bearings

The shafts are threaded or key coupled with thrust stud design or clamp ring design.

See sectional drawings supplied with the pump for exact column assembly details as per the order. The size and configuration vary depending upon the specific order requirements and application criteria.

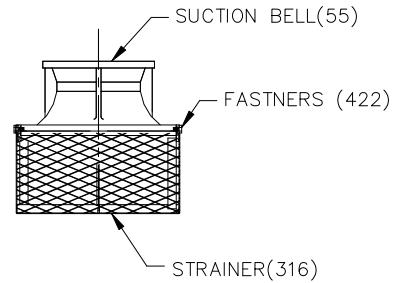
3.3.4 Bowl assemblies

The bowl assembly consists of impellers rigidly mounted on the pump shaft coupled to an electric motor. Impellers are cast wheels with multiple diffuser vanes and are generally coated to meet the hydraulic requirements. (See section 8 for cross sectional and part details.)

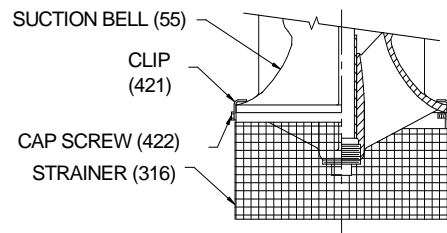
3.3.5 Suction strainers

VTPs can also be fitted with strainers [316] to prevent foreign particles from entering the pump. The type of strainers and the mesh size depends on the application. Examples are shown below. Strainers are fastened [422] directly to the suction bell [55] or attached using clips [421]. Cone shaped strainers are provided with internal or external threads to attach it to the main assembly.

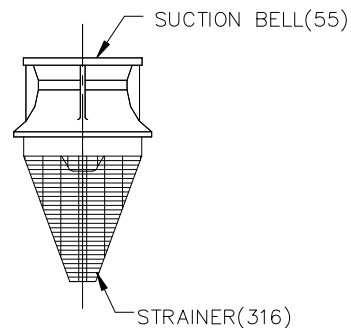
a) Slip-on strainer



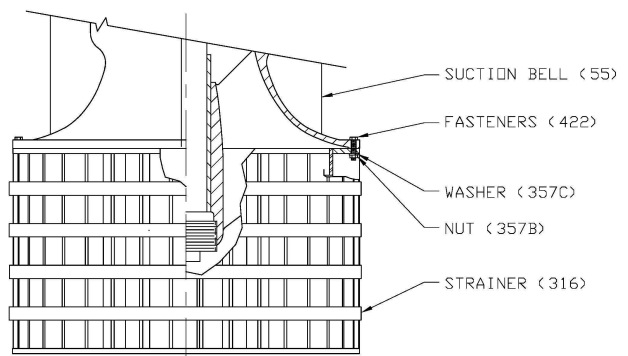
b) Clip-on strainer



c) Cone strainer



d) Bolt on strainer



3.3.6 Impellers

VTPs are supplied with enclosed, open or semi open impeller types. Impellers are low, medium and high capacity type designed for maximum coverage of all VTP applications. Impellers are cast and machined to match each order and to provide required surface finish to achieve hydraulic characteristics. Impellers are dynamically balanced and held in position on the shaft by a tapered lock collet or split ring and key.

3.3.7 Stuffing box

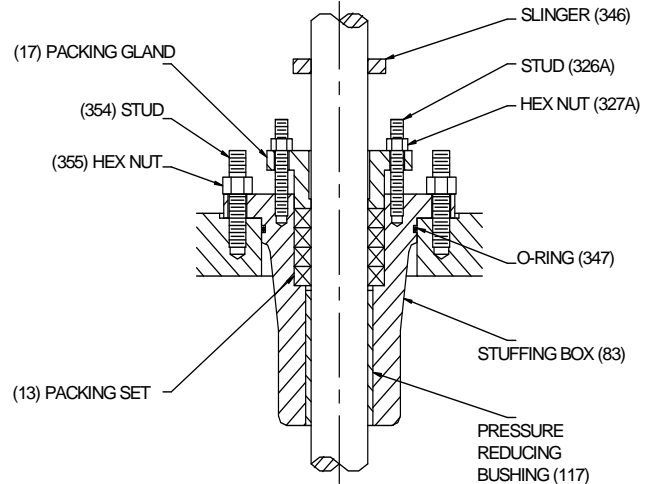
Some VTPs are fitted with stuffing boxes. In such cases, stuffing boxes are normally adequate for working pressures up to 20.7 bar (300 psi).



Refer to stuffing box User Instructions for specifications.

3.3.7.1 Low pressure stuffing box

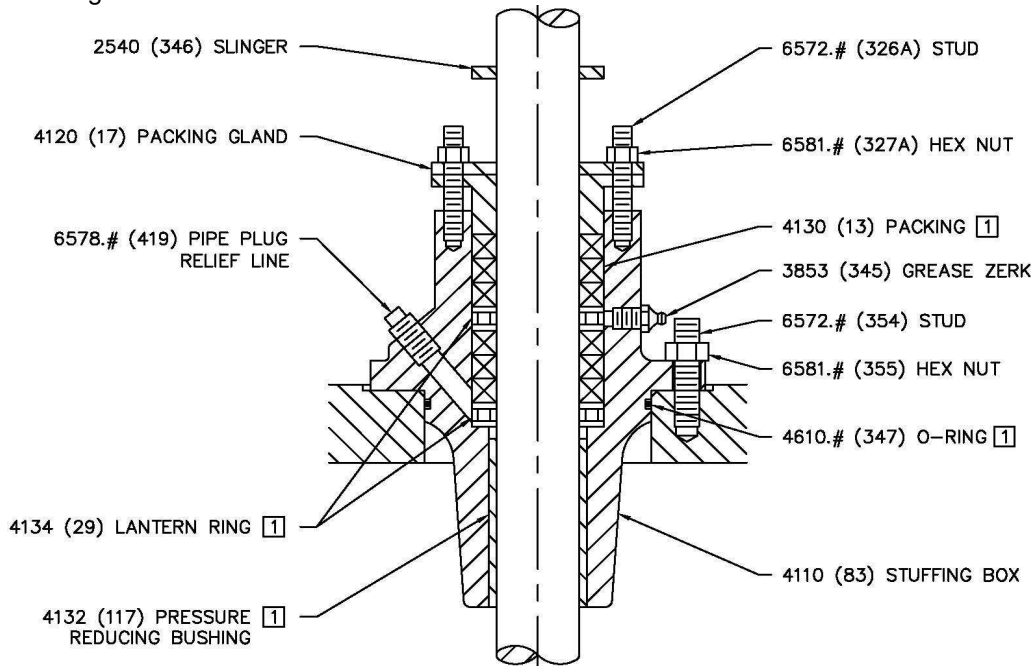
This type of packing box is fitted on to an open lineshaft for pressures less than 6.5 bar (100 psi) and used only on W-type discharge heads. (See section 3.2.2.1 for W-type discharge head detail.)



3.3.7.2 High pressure stuffing box

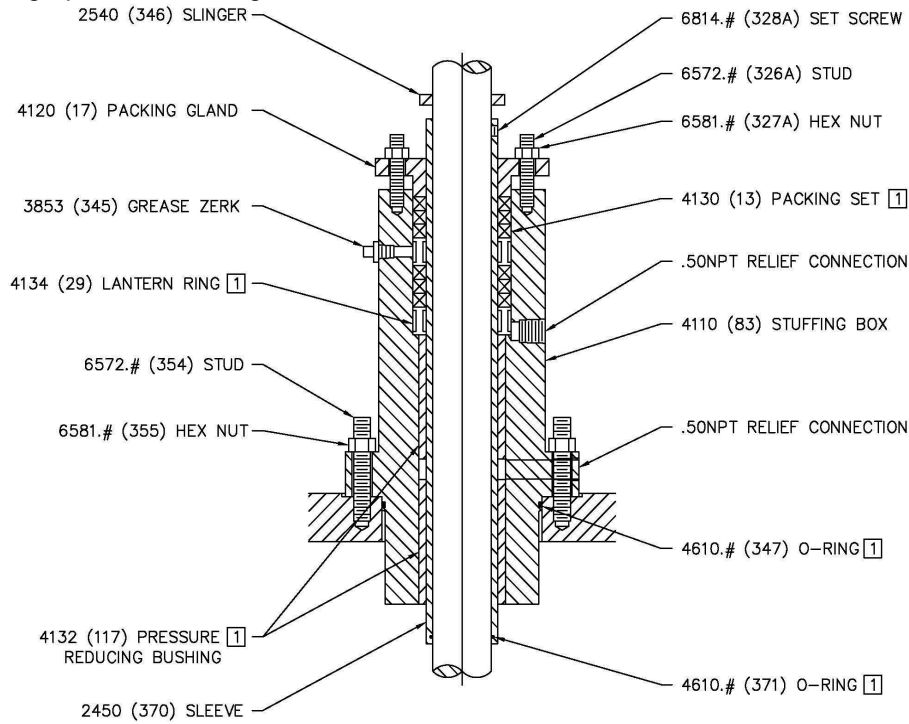
This type of packing box is fitted on to an open lineshaft for pressures up to 20 bar (300 psi).

It uses six rings of packing with two lantern rings and allows grease lubrication.



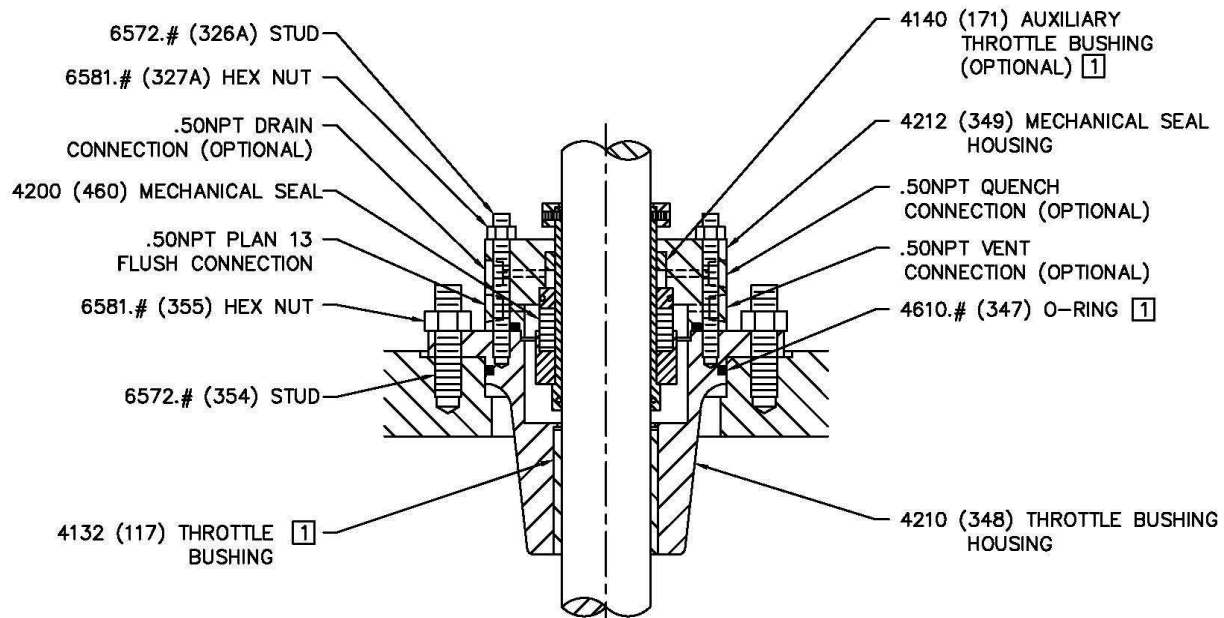
3.3.7.3 Extra high pressure stuffing box

In cases where the pressures are expected to cross 20 bar (300 psi) up to 65 bar (1 000 psi), an extra high-pressure stuffing box is used.



3.3.8 Mechanical shaft seal

VTPs can also be fitted with a mechanical seal. The requirement to fit a mechanical seal must be stated at the time of contract.



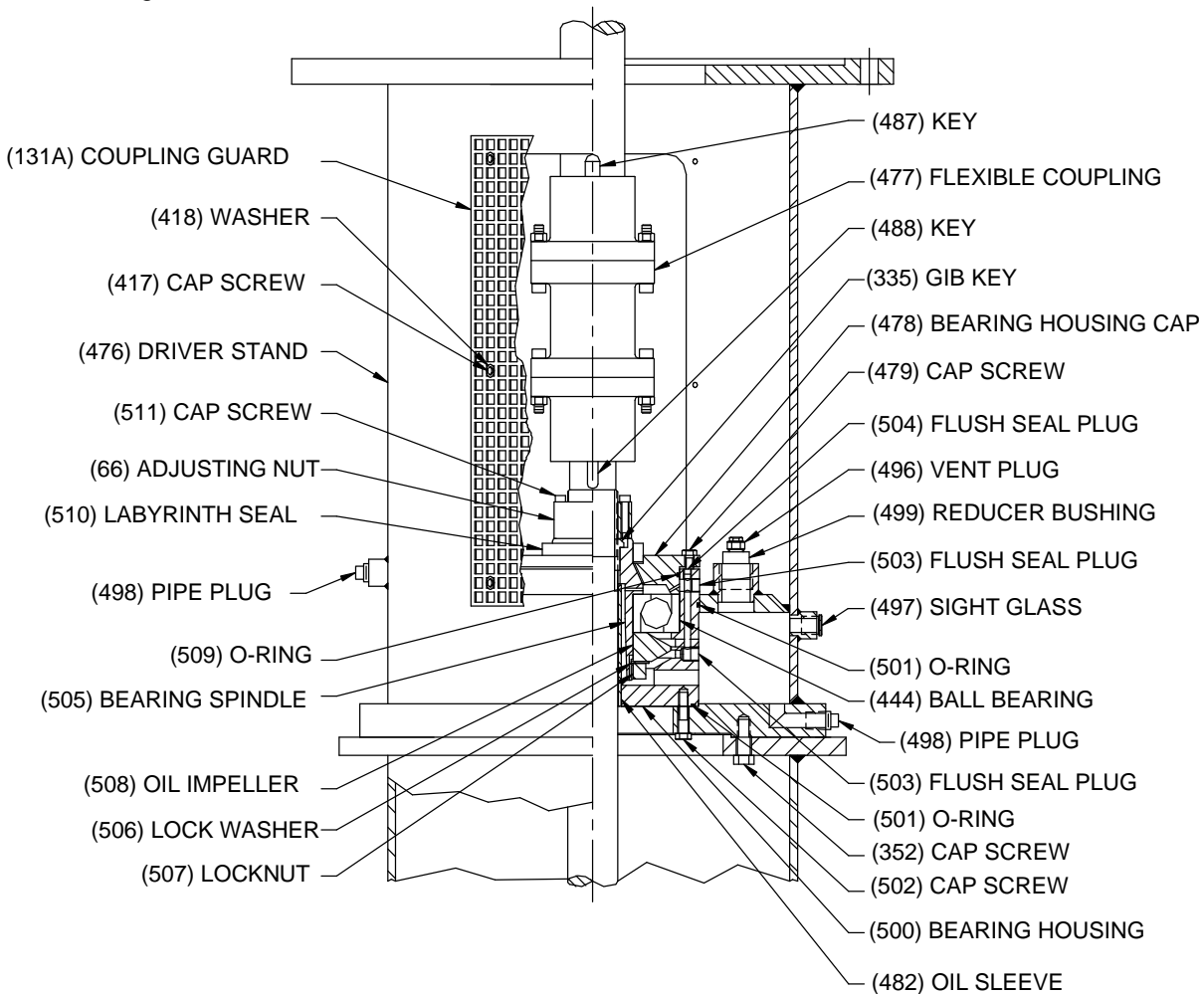
3.3.9 Thrust bearing assembly (also referred as thrust pot)

Thrust bearing assemblies are installed on VTPs with solid shafts which have very limited or no capacity to take the thrust loads. Thrust bearings typically are constructed with a bearing housing that will hold the bearings and also serve as a reservoir for oil or grease lubricant. Some thrust bearing assembly designs are provided with an integral jacket to circulate coolant to cool the oil. It is typical that an oil level gauge is also provided on the housing. The bearings consisting of ball or roller type arrangement are designed to absorb thrust loads and weight of the rotor. (See section 3.1.3 for typical thrust bearing mounting arrangements.)

Note: Please note that the example shown here is for illustration only and the actual thrust bearing assembly installed on the pump you have purchased may be different in configuration.

Please refer to cross sectional details created specifically to your order and or refer to the thrust bearing manufacturer's User Instructions for details.

Below is an illustration of one of the many types of thrust bearing assemblies available.



3.3.10 Accessories

Accessories may be fitted when specified by the customer.

3.4 Performance and operating limits

This product has been selected to meet the specifications of the purchase order. (See section 1.5.)

The following data is included as additional information to help with the installation. It is typical and factors such as temperature, materials and seal type may influence this data. If required, a definitive statement for your particular application can be obtained from Flowserve.

3.4.1 Operating limits

Pumped liquid temperature limits *	5 °C (40 °F) to +80 °C (176 °F)
Maximum ambient temperature *	Up to +40 °C (104 °F)
Maximum pump speed	Refer to the nameplate

* Subject to written agreement from Flowserve. Special designs and materials may be available for pumps operating above and below these specified limits. Contact Flowserve for upgrade options available for your specific application.

4 INSTALLATION



Equipment operated in hazardous locations must comply with the relevant explosion protection regulations. (See section 1.6.4, *Products used in potentially explosive atmospheres.*)

4.1 Location

When equipment has been in storage for greater than 6 months, a complete inspection should be conducted in accordance with section 2.4.3.

The pump should be located to allow room for access, ventilation, maintenance and inspection with ample headroom for lifting and should be as close as practicable to the supply of liquid to be pumped.

Refer to the general arrangement drawing for the pump set.

4.1.1 Inspection prior to installation

Six months prior to the scheduled installation date, a Flowserve representative is to be employed to conduct an inspection of the equipment and the facility. If any deterioration of equipment is noticed, the Flowserve representative may require a partial or complete dismantling of the equipment including restoration and replacement of some components.

4.2 Preparation

Refer to the general arrangement drawing for the pump dimensions and details.

4.2.1 General installation check-list

The following checks should be made before starting actual installation:

- Make sure that motor nameplate ratings and the power supply system match correctly.
- Check the sump depth and pump match-up.
- Check the liquid level in the sump.
- Check the installation equipment to be sure that it will safely handle the pump weight and size.
- Check all pump connections (bolts, nuts etc) for any shipping and handling related problems.



Always support shafting at least three places when lifting or installing. No installation should be attempted without adequate equipment necessary for a successful installation.



On hollow shaft drivers, check the clutch size against the shaft size, which must go through the clutch.



On solid shaft drivers, check the motor shaft size against the coupling bore size.



Apply thread lubricant to male shaft threads only at the time of making shaft connection. Excess lubricant should be avoided.



Always check motor rotation before connecting driver to pump. Reverse rotation due to improper motor direction can cause extensive damage to the pump.

4.3 Foundation



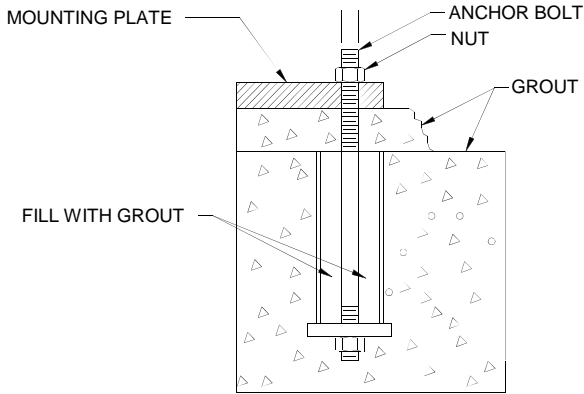
There are many methods of installing pump units to their foundations. The correct method depends on the size of the pump unit, its location and noise vibration limitations. Non-compliance with the provision of correct foundation and installation may lead to failure of the pump and, as such, would be outside the terms of the warranty.

The foundation may consist of material that will afford permanent, rigid support to the discharge head and will absorb expected stresses that may be encountered in service.

Concrete foundations should have anchor bolts installed in sleeves that are twice the diameter of the bolt to allow alignment and has holes in the mounting plate as illustrated in the detail below. The sleeve should be filled with grout after sleeve is set in place

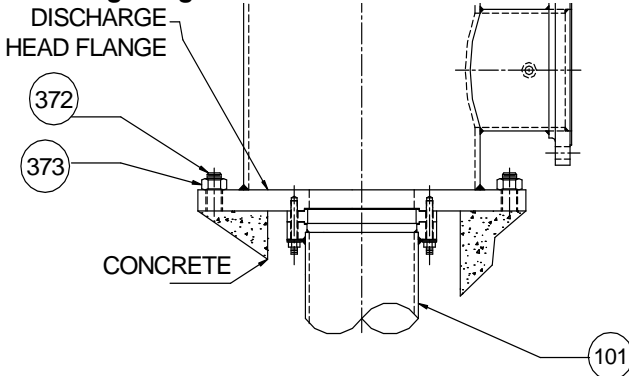
When a suction barrel is supplied as in the case of the type "TF" discharge head, the suction vessel must provide permanent, rigid support for the pump and motor. It should be mounted on a firm foundation.

Detail of a typical foundation bolt, grouted



4.3.1 Levelling of pumps mounted on the discharge head flange

Example of a typical discharge head with the mounting flange



Some wet pit pumps are installed directly by using the flange that comes as an integral part of the discharge head. The pump is lowered into the pit and aligned with the anchor bolts [372].

The mounting flange is shimmed to achieve required level by using a precision machinist's level. **The pump is to be levelled to within 0.16 mm/m (0.002 in./ft).** The data to be recorded for future reference. Anchor bolt nuts [373] are tightened sufficient enough to hold down the pump in place.

Grout is poured and allowed to set for at least 72 to 80 hours (cure as required) before any further work is done on the pump.

CAUTION If levelling nuts are used to level the base, they must be backed off as far as possible prior to grouting.

Always shim near foundation bolts and then back off the levelling nuts. Now tighten the foundation bolts. If done otherwise there is a risk of significantly lowering the structural natural frequency that could result in separation of the base from the grout.

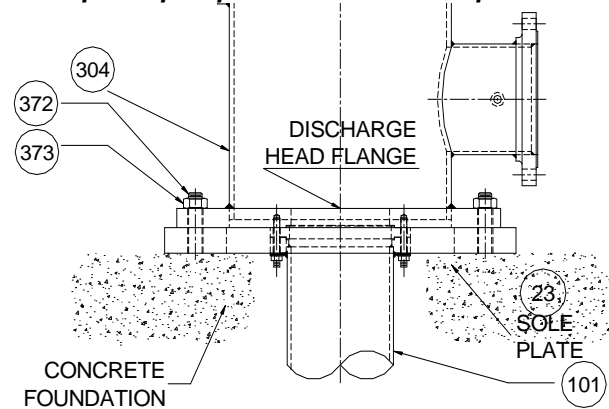
Note: Directly mounted pumps are not user friendly for service. Re-installation of these pumps requires re-levelling and re-grouting.

4.3.2 Levelling of pumps mounted on a soleplate and the soleplate is grouted

Some pumps are mounted on a separate plate known as soleplate [23]. In such cases, the level shall be set with a master level or a precision machinist's level. The mounting surface needs to be levelled to within 0.16 mm/m (0.002 in./ft).

The level should not exceed 0.125 mm (0.005 in.) elevation difference taken on any two points on the individual soleplate. Accurate shimming and grouting of the soleplate is very important. Record the levelling data for future reference. Grout the soleplate and allow to set at least 72 to 80 hours (cure as required) before the pump is lowered into the pit. Align the discharge head bolt holes with the anchor bolts [372]. **Check and adjust the pump level to within 0.16 mm/m (0.002 in./ft)** with respect to the soleplate and torque the nuts [373] to the required level.

Example of pump mounted on a soleplate



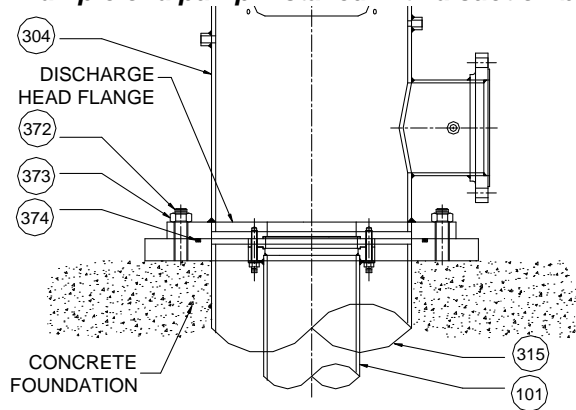
4.3.3 Levelling of pumps with the suction barrel (also referred to as "Can" VTPs)

The suction barrel [315] is first lowered into the pit and aligned with the anchor bolts [372]. The suction barrel flange is levelled by using a master level or a precision machinist's level. Levels should be taken on the equipment mounting surfaces. The suction barrel flange mounting surface needs to be levelled to within **0.16 mm/m (0.002 in./ft) using shims and grouted.** Allow the grout to set for at least 72 to 80 hours before the pump is installed.

Check the barrel mounting surface level after the grout is set and then proceed with the pump installation. Lower the pump assembly into the pit and align the discharge head flange bolt holes to the anchor bolts [372].

Check and adjust the pump level with respect to the barrel flange to within **0.16 mm/m (0.001 in./ft)** and final torque the nuts [373]. The levelling data to be recorded for future reference.

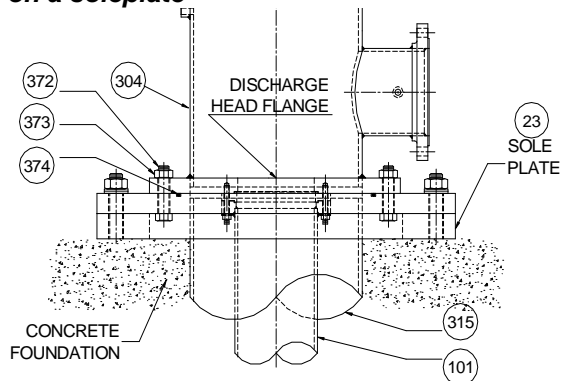
Example of a pump installed with a suction barrel



4.3.4 Levelling of pumps with suction barrel mounted on a soleplate

The soleplate [23] is installed on the foundation and aligned with the anchor bolts [372]. Level the soleplate with the help of a machinist's level to **within 0.16 mm/m (0.001 in./ft)**. Tighten the nuts [373] and grout. Cure and allow grout to set for 72 to 80 hours. Lower the suction barrel into the pit and level again with respect to the soleplate [23] to **within 0.16 mm/m (0.001 in./ft)**. The level should not exceed 0.125 mm (0.005 in.) elevation difference taken on any two points on the soleplate. The pump [101] is now lowered into the suction barrel and installed. Make sure that the discharge head flange is still in level **within 0.16 mm/m (0.001 in./ft)** with respect to the suction barrel [315].

Example of pump with a suction barrel mounted on a soleplate



4.4 Grouting

Where applicable, grout in the foundation bolts. After adding pipe work connections and re-checking the coupling alignment, the mounting plate/soleplate should then be grouted in accordance with good engineering practice. If in any doubt, please contact Flowserve service center for advice.

Grouting provides solid contact between the pump unit and foundation that prevents lateral movement of running equipment and dampens resonant vibrations.

Care should be taken to ensure maximum surface contact with grout between the pump base, sole plate, suction can and foundation (no voids).



Foundation bolts should only be fully tightened after the grout has been cured.

4.5 Lifting and assembly

Motors may be supplied separately from the pumps. It is the responsibility of the installer to ensure that the motor is assembled to the pump and aligned as detailed in section 4.6 and 4.9.

Discharge head column piping and the pump assembly are supplied either separately or fully assembled depending upon the pump size and weight.

If the parts are shipped separately, it is the customer's responsibility to install and align the pump with driver to the satisfaction of Flowserve installation instructions.

4.5.1 Installation of pumps shipped unassembled

4.5.1.1 Lifting

See lifting methods in section 2.3.

4.5.1.2 Equipment and tools required for installation of unassembled pumps

The following list covers the principal tools/items required for installation:

- Two (2) mobile cranes capable of hoisting and lowering the pump and/or motor.
- Two (2) steel clamps of suitable size
- Two (2) sets of chain tongs and cable sling for attaching to the pump and motor lifting eyes
- Pipe clamp(s) for lifting bowl assembly and the column pipe. Approximately 4.5 m (15 ft) of 19 mm (3/4 in.) diameter rope may be required
- General purpose hand tools, pipe wrenches, end wrenches, socket set, screwdrivers, Allen wrenches, wire brush, scraper and fine emery cloth
- Thread sealing compound designed for stainless steel and light machinery oil

Note: Parts and accessories may be placed inside shipping containers or attached to skids in individual packages. Inspect all containers, crates and skids for attached parts before discarding.

4.5.1.3 Uncrating and cleaning of unassembled pump

- a) Clean the parts of any dirt, packing material and other foreign matter.
- b) Flush the pump inside and outside with clean water. Clean all machined surfaces.
- c) Remove any rust spots found on the machined surfaces with fine emery cloth.
- d) Clean all threaded connections and any accessory equipment.

CAUTION Lineshaft when shipped separately should be left in the crate to avoid damage or loss of straightness.

4.5.1.4 Installing the bowl and column assembly

- a) Sump and piping should be thoroughly cleaned of all loose debris before starting installation.
- b) Check all bolts for tightness.
- c) Do not lift or handle the bowl assembly by the pump shaft.
- d) When installing bowl assemblies in sizes of 152 mm (6 in.) or 203 mm (8 in.), leave bowl assemblies securely fastened to the wooden skid that is attached for shipping until the bowl assembly is raised to a vertical position. This will help prevent breaking the bowls or bending the shaft.
- e) If a strainer is to be used, attach it to the bowl assembly using fasteners as necessary.
- f) Position lifting equipment so it will center over the foundation opening.
- g) If a base plate is used, level the plate to 0.16 mm/m (0.002 in./ft) and then grout and anchor in place.
- h) Check for axial clearance or endplay and record that number for future reference (while bowls are in a horizontal position you should be able to push or pull the pump shaft indicating axial clearance).
- i) Carefully lift the suction barrel and the bowl assembly with suitable straps or clamps. (See section 2.3 for lifting and safety rules.)
- j) Lower the bowl assembly into the well or sump. Set clamp or holding device that is attached to bowls on a flat surface. This is to stabilize bowl assembly and reduce possibility of cross threading the shaft.
- k) Proceed to install the column assembly (refer to specific column pipe assembly instructions supplied with the pump).
- l) Assemble the discharge head assembly.

4.5.1.5 Installing thrust bearing assembly

Note: In most cases the thrust-bearing assembly is pre-mounted on the discharge head before shipping. In some cases, it is separately shipped and shall be installed on site.

If the thrust bearing assembly is not pre-installed, make sure you take all necessary safety, assembly and handling instructions per its manufacturers User Instructions. Following general guidelines are recommended:

- a) Unpack the thrust bearings and make sure that fasteners required for its mounting are included.
- b) If the thrust bearing assembly configuration is as shown section 3.1.3.1 install the discharge head, first. Locate and mount the thrust bearing assembly on top of the head, lower the driver stand on top of the bearing assembly flange and bolt all three pieces together.
- c) If the thrust bearing assembly configuration is as shown section 3.1.3.2, install the bearing assembly to the driver stand first and then mount the driver stand on the discharge head.
- d) If the thrust bearing assembly configuration is as shown sections 3.1.3.3 and 3.1.3.4 install the discharge head first, install the bearing assembly on the discharge head mounting plate (welded inside as shown in 3.1.3.3 or on top as shown in 3.1.3.4). Now proceed to lower the driver stand on top of the discharge head.

4.5.1.6 Installation of discharge head

Choose the discharge head type installation procedure that is appropriate to the pump configuration that has been purchased.

4.5.1.6a Installation of discharge head with product lubrication

Note: The pump head may be shipped with the sealing housing installed. For ease of assembly and to prevent damage, we recommend removing the housing before putting the head on the pump.

For pumps supplied with a two-piece headshaft (headshaft couples above the sealing housing) or solid shaft drivers, proceed as follows:

- a) Lift discharge head over shaft and lower carefully into place. (See section 2.3 for recommended lifting methods and safety instructions.) Be sure not to bend the shaft. Fasten the top column flange and bearing retainer, if supplied to bottom of head. (Note that W-heads do not have a bearing retainer at the top column flange).

- b) If baseplate is not included use shims or wedges between the pump and foundation to level the pump. The shaft must be centered in the discharge head.
- c) See section 4.3.4 for coupling installation on solid shaft drivers and section 4.2.1 to 4.2.4 for pump levelling details.

4.5.1.6b Installation of discharge head for enclosed tube pumps

Note: The pump head may be shipped with the sealing housing installed. For ease of assembly and to prevent damage, we recommend removing the housing before putting the head on the pump.

For pumps supplied with a two-piece headshaft (headshaft couples above the sealing housing) or solid shaft drivers, proceed as follows:

- a) Attach the top enclosing tube to the column enclosing tube and tighten (left hand threads).
- b) Lift the discharge head over shaft and enclosing tube then lower carefully into place. (See section 2.3 for recommended lifting methods and safety instructions.) Be sure not to bend the shaft.
- c) Fasten the top column flange and alignment ring if supplied to bottom of head. (W-heads do not have an alignment ring at the top column flange.)
- d) Use shims or wedges between the pump and foundation to level the pump. The shaft must be centered in the discharge head.
- e) See section 4.5.3 for coupling installation and section 4.3.1 to 4.3.4 for pump levelling details.

4.5.2 Installation of pumps shipped fully assembled

4.5.2.1 Lifting

See lifting methods in section 2.3.

4.5.2.2 Equipment and tools required for installation of a fully assembled pump

- Mobile crane capable of hoisting and lowering the entire weight of the pump and motor
- Cable sling for attaching to the pump and motor lifting eyes
- Ordinary hand tools: pipe wrenches, end wrenches, socket set, screwdrivers, Allen wrenches, wire brush, scraper and fine emery cloth
- Thread sealing compound designed for type of connection and light machinery oil

Note: The single most common cause of pump vibration is from a bent shaft. Shafting is straightened to stringent tolerances prior to shipping and great care must be exercised in its handling. Always support shafting in at least three places when lifting or installing.

CAUTION Parts and accessories may be placed inside shipping containers, or attached to skids in individual packages. Inspect all containers, crates and skids for attached parts before discarding.

CAUTION *Lifting heavy objects is dangerous. Use of appropriate tools and procedures is a must.*

4.5.2.3 Uncrating and cleaning of a fully assembled pump

- a) Clean the parts of all dirt, packing material and other foreign matter.
- b) Flush the pump inside and outside with clean water.
- c) Clean all machined surfaces. Remove any rust spots found on the machined surfaces with fine emery cloth.
- d) Clean all threaded connections and any accessory equipment.

4.5.2.4 Installing a fully assembled pump

If a baseplate is used, level the plate to 0.16 mm/m (0.002 in./ft), grout and anchor in place.

See sections 4.2.1 to 4.2.4 for pump levelling details.

Position lifting equipment so it will center over the foundation opening.

CAUTION Sump and piping should be thoroughly cleaned of all loose debris before starting installation.

Set up installation unit so that the lifting cable will be centered directly over the well or sump. Carefully lift the bowl assembly and suction barrel with a clamp. Lower the bowl assembly into the well or sump. Set the clamps or holding device that is attached to bowls on a flat surface. This is to stabilize bowl assembly and reduce possibility of cross threading the shaft.

- a) When installing 152 mm (6 in.) or 203 mm (8 in.) pump assembly, leave the pump securely fastened to the wooden skid (as shipped) until it is raised to a vertical position.
- b) Lift the pump to a vertical position. If a strainer is used, attach it to the bowl assembly.
- c) Position pump over sump or suction barrel. Align the discharge of the pump with external piping then lower onto the base. Level the entire pump.
- d) If a stuffing box and a hollow shaft driver are included, attach the head shaft to the pump shaft (left hand threads).
- e) If a mechanical seal is included, install the seal at this point per the attached instructions.

If the pump includes a suction barrel, follow the procedure as listed below. (See section 2.3, *Lifting*.)

- Install the suction barrel first and grout the mounting flange and bolts directly to the foundation.
- If soleplate is used, mount and grout the soleplate and mount the suction barrel onto the soleplate.
- Level the soleplate and the suction barrel flange as required.
- Install the pump.

4.5.3 Installation of couplings

Note: If the pump purchased has a solid shaft driver one of the following coupling arrangement between the driver and the pump shaft is applicable. Choose the procedure appropriate to the coupling arrangement required.

CAUTION Clean threads on pump shaft and on adjusting nut. Check for burrs and nicks.

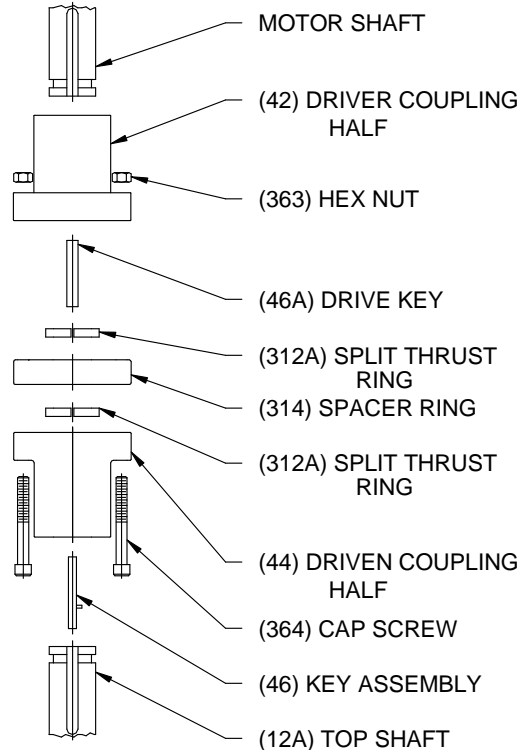
All burrs, nicks and rust must be removed from all mating parts of flanged coupling and pump before installation. Failure to remove all burrs, nicks and rust may result in misalignment causing the pump to fail.

Note: Typically flexible coupling, geared coupling (Falk type) or a non-adjustable flanged coupling with or without spacer is used to connect the pump shaft with the driver (above the thrust bearing assembly), and a non-adjustable flanged coupling with or without the spacer is used below the thrust bearings assembly (wherever two coupling arrangements are used). In some cases coupling below the thrust bearing may not be required.

4.5.3.1 Installation of non-adjustable flanged coupling

- The key [46A] for the driver shaft key seat should be a snug or tight fit in the shaft key seat, and a sliding fit in the key seat of driver half coupling [42].
- The key with pin [46] should be a sliding fit in pump shaft key seat and a snug or tight fit in pump half coupling [44] key seat.
- Side clearance of keys in key seats should be checked with a feeler gauge. This clearance should not exceed 0.076 mm (0.003 in.) for a snug fit or 0.127 mm (0.005 in.) for a sliding fit. These are maximum allowable clearances. Closer fits are preferred, if possible. It may be necessary to file-dress keys to obtain proper fit.
- Insert the key [46] with pin into pump half of coupling [44] putting the pin in the hole in key seat. The key should not extend below the coupling.

- Lubricate pump coupling half and key assembly with light oil and slide it onto pump shaft [12A] with flange up. Slide it past threads.
- Install one set of split thrust rings [312A] into the circular keyway in pump shaft. Pull up the pump half of the coupling [44] over the split keys.
- Slide driver half coupling [42] onto driver shaft in the same manner as the pump half of the coupling.
- Set the spacer ring [314] between the two halves of the coupling together. Tighten all cap screws [364] evenly to the bolt torques as listed in section 6.6.2
- Proceed with the driver installation.



4.5.4 Installation of driver

Note: Solid shaft drivers are used for VTPs fitted with thrust bearing assembly.

CAUTION Reverse rotation with the pump shaft connected can cause extensive damage to the pump. Always check rotation before connecting driver to pump.

4.5.4.1 Installation of a standard solid shaft driver

CAUTION When lowering the motor and driver half of coupling onto pump, do not let pump half of the coupling touch the driver half of the coupling.

Before bumping motor make sure coupling halves are not touching and that the driver can rotate freely, without rotating the pump.

Driver half coupling must be in proper position so the circular key will not come out.

- a) Clean driver mounting flange on discharge head and check for burrs or nicks on the register and mounting face. Oil lightly.
- b) Center motor over pump and rotate to align mounting holes:
Electric motors - rotate junction box into desired position.
Gear drives - rotate input shaft into desired position.
- c) Lower driver carefully into place making certain that the female register on the driver mates over the male register on the pump.
- d) Bolt driver to discharge head.
- e) Check driver manufacturer's instructions for special instructions including lubrication instructions and follow all "startup" instructions.
- f) Electric drivers should be checked for rotation at this time. Make electrical connections "bump" motor (momentarily start, then stop) to check rotation. **Driver must rotate counter-clockwise when looking down at top end of motor.**
To change the direction of rotation on a three-phase motor, interchange any two line leads. To change direction of rotation on a two-phase motor, interchange the leads of either phase.
- g) See impeller adjustment instructions (section 5.3) before bolting the pump and driver half of the coupling together.

4.5.4.2 Installation of solid shaft driver with jacking screws

- a) Clean driver mounting flange on discharge head and check for burrs or nicks on the register and mounting face. Oil lightly.
- b) Center motor over pump and rotate to align mounting holes:
Electric motors - rotate junction box into desired position.
Gear drives - rotate input shaft into desired position.
- c) Lower driver carefully into place. Mount the dial indicator base on the OD of the motor half coupling. Set the indicator on the pump shaft, position the dial to zero being careful that the indicator is in direct line with one of the jackscrews. Record this reading then rotate the motor shaft and indicator 180 degrees. Record this reading being careful to note plus or minus values. Take the difference of the two readings and using the jackscrews move the motor one-half of the difference. Repeat this step until the TIR reading is a maximum of 0.051mm (0.002in.). Then repeat this step for the set of jack screws located 90 degrees to the first set. Once all readings are within 0.051mm (0.002in.), tighten motor bolts and check for any movement in readings.

- d) Check driver manufacturer's instructions for special instructions including lubrication instructions and follow all "startup" instructions.
- e) Electric drivers should be checked for rotation at this time. Make electrical connections and "bump" motor (momentarily start, then stop) to check rotation. **Driver must rotate counter-clockwise when looking down at top end of motor.**
- f) To change the direction of rotation on a three-phase motor, interchange any two line leads. To change direction of rotation on a two-phase motor, interchange the leads of either phase.
- g) See impeller adjustment instructions, section 5.3, before bolting the pump and driver half of the coupling together.

4.6 Initial alignment

4.6.1 Thermal expansion



The pump and motor will normally have to be aligned at ambient temperature and should be corrected to allow for thermal expansion at operating temperature. In pump installations involving high liquid temperatures, the unit should be run at the actual operating temperature, shut down and the alignment checked immediately.

4.6.2 Preparation before alignment

To ensure proper alignment the following items are very important:

- All machined mating surfaces (such as the mating flanges of pump and motor) must be clean and free of burrs and nicks.
- Exterior strain must not be transmitted to the pump. The most common cause of trouble is forcing the piping to mate with the pump. It is recommended that flexible connectors be installed in the piping adjacent to the pump.
- All threads should be checked for damage and repaired if necessary. Lubricate all threaded connections with a suitable thread lubricant (an anti-galling compound).

4.6.3 Alignment methods



Ensure pump and driver are isolated electrically and the half couplings are disconnected.



The alignment MUST be checked. Although the pump will have been aligned at the factory it is most likely that this alignment will have been disturbed during transportation or handling. If necessary, align the motor to the pump, not the pump to the motor.

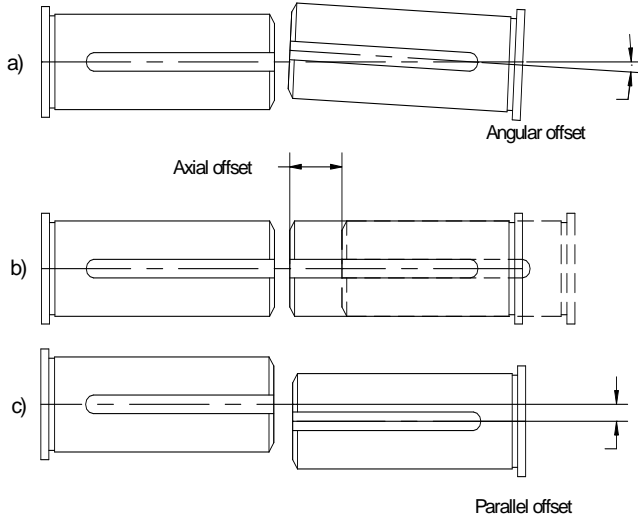
Note: Adding or removing shims between the motor and the discharge head helps alignment in the vertical direction. The motor assembly may also have to be adjusted in the horizontal direction to line up the driver and shaft centers. Alignment screws are provided to lock the motor assembly in its final aligned position.

See section 4.9 for final coupling alignment for solid shaft.

Note: Before bumping motor, make sure that the coupling halves are not touching and that the driver can rotate freely without rotating the pump. Driver half coupling must be in proper position so the circular key will not come out.

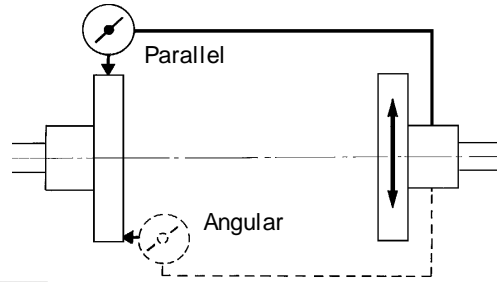
4.6.4 Angular and parallel misalignment

CAUTION Check the direction of pump rotation before the coupling is fully connected. The power supply to the driver to be connected only after the final alignment is complete.



- *Angular offset* - the median lines of shaft intersect halfway between the ends of the two shafts.
- *Axial offset* - another offset is the displacement of one or both of the shafts. A typical example is thermal expansion.
- *Parallel offset* - the median lines run parallel. The maximum allowable parallel offset depends on the size of coupling and is indicated in the instruction manual of manufacturer of coupling.

If coupling area has sufficient room (such as large discharge heads) try using a dial indicator as shown in the detail to check both parallel and angular alignment.



Note: Pumps with thick flanged non-spacer couplings can be aligned by using a straight-edge across the outside diameters of the coupling hubs and measuring the gap between the machined faces using feeler gauges, measuring wedge or calipers.

Note: When the electric motor has sleeve bearings, it is necessary to ensure that the motor is aligned to run on its magnetic centerline.

Refer to the motor User Instructions for details.

A button (screwed into one of the shaft ends) is normally fitted between the motor and pump shaft ends to fix the axial position.

CAUTION If the motor does not run in its magnetic center the resultant additional axial force may overload the pump thrust bearing.

If the pump is handling hot liquid, the alignment must be rechecked in warm condition of the unit. The alignment of the unit shall be checked again after 200 service hours.

4.7 Piping

CAUTION Protective covers are fitted to the pipe connections to prevent foreign particles or objects entering the pump during transportation and installation. Ensure that these covers are removed from the pump before connecting pipes.

4.7.1 Pipe work velocities

In order to minimize friction losses and hydraulic noise in the pipe work it is good practice to choose pipe work that is one or two sizes larger than the pump suction and discharge.

Typically, main pipe velocities should not exceed 2 m/s (6 ft/sec) on the suction and 3 m/s (9 ft/sec) on discharge. Take into account the available NPSH that must be higher than the required NPSH of the pump.

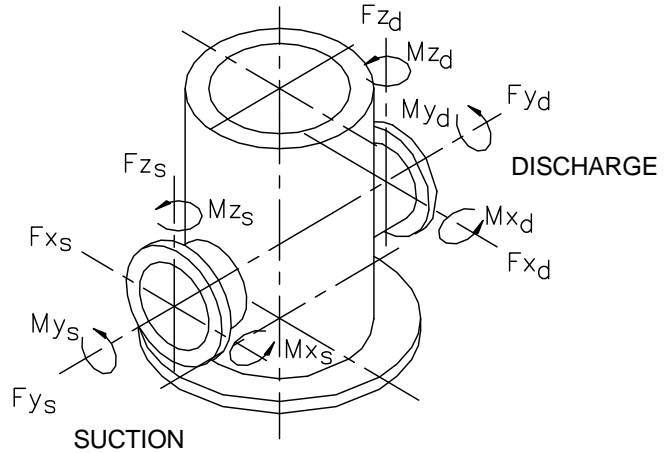
CAUTION Never use the pump as a support for piping.

4.7.2 Maximum forces and moments allowed on VTP pump flanges

(See table 4.7.2.1.)

Maximum forces and moments allowed on the pump flanges vary with the pump size and type. To minimize these forces and moments that may, if excessive, cause misalignment, hot bearings, worn couplings, vibration and possible failure of the pump casing the following points should be strictly followed:

- Prevent excessive external pipe load.
- Never draw piping into place by applying force to pump flange connections.
- Do not mount expansion joints so that their force, due to internal pressure, acts on the pump flange.



CAUTION Ensure piping and fittings are flushed before use.

! Ensure that the piping arrangement has been provided to flush the pump before removal in cases of hazardous liquid pumps.

Loads shown are maximum allowable for standard construction. Contact Flowserve if higher values are required or temperatures are higher than ambient.

4.7.2.1 Table of maximum forces and moments allowed on VTP pump flanges

Head type	Forces and moments	Discharge head size mm (in.)											
		100 (4)	150 (6)	200 (8)	255 (10)	305 (12)	355 (14)	400 (16)	460 (18)	508 (20)	610 (24)	760 (30)	915 (36)
W	Fx	0.53 (120)	0.80 (180)	1.13 (255)	1.47 (330)	1.67 (375)	1.78 (400)						
	Fy	0.67 (150)	1.00 (225)	1.47 (330)	1.83 (410)	2.00 (450)	2.23 (500)						
	Fz	0.45 (100)	0.67 (150)	0.94 (210)	1.22 (275)	1.34 (300)	1.45 (325)						
	Mx	0.50 (370)	0.75 (550)	1.06 (780)	1.37 (1015)	1.52 (1125)	1.59 (1175)						
	My	0.26 (190)	0.39 (285)	0.53 (390)	0.67 (495)	0.74 (550)	0.78 (575)						
	Mz	0.37 (275)	0.57 (425)	0.77 (570)	1.04 (770)	1.15 (850)	1.18 (875)						
HF	Fx	1.07 (240)	1.60 (360)	2.27 (510)	2.94 (660)	3.34 (750)	3.56 (800)	4.23 (950)	4.90 (1 100)	5.34 (1 200)	6.01 (1 350)	7.12 (1 600)	8.46 (1 900)
	Fy	1.34 (300)	2.00 (450)	2.94 (660)	3.65 (820)	4.00 (900)	4.45 (1 000)	5.12 (1 150)	5.79 (1 300)	6.23 (1 400)	7.12 (1 600)	8.46 (1 900)	9.79 (2 200)
	Fz	0.89 (200)	1.36 (300)	1.87 (420)	2.45 (550)	2.67 (600)	2.89 (650)	3.34 (750)	4.00 (900)	4.45 (1 000)	4.90 (1 100)	5.56 (1 250)	6.23 (1 400)
	Mx	1.00 (740)	1.49 (1 100)	2.11 (1 560)	2.75 (2 030)	3.05 (2 250)	3.18 (2 350)	3.66 (2 700)	4.06 (3 000)	4.47 (3 300)	5.42 (4 000)	6.50 (4 800)	7.59 (5 600)
	My	0.51 (380)	0.77 (570)	1.06 (780)	1.34 (990)	1.49 (1 100)	1.56 (1 150)	1.83 (1 350)	2.03 (1 500)	2.51 (1 850)	2.71 (2 000)	3.25 (2 400)	3.80 (2 800)
	Mz	0.75 (550)	1.15 (850)	1.54 (1 140)	2.09 (1 540)	2.30 (1 700)	2.37 (1 750)	2.71 (2 000)	3.05 (2 250)	3.39 (2 500)	4.07 (3 000)	4.88 (3 600)	5.70 (4 200)
LF	Fx	1.07 (240)	1.60 (360)	2.27 (510)	2.94 (660)	3.34 (750)	3.56 (800)	4.23 (950)	4.90 (1 100)	5.34 (1 200)	6.00 (1 350)	7.12 (1 600)	8.46 (1 900)
	Fy	1.34 (300)	2.00 (450)	2.94 (660)	3.65 (820)	4.00 (900)	4.45 (1 000)	5.12 (1 150)	5.79 (1 300)	6.23 (1 400)	7.12 (1 600)	8.46 (1 900)	9.79 (2 200)
	Fz	0.89 (200)	1.34 (300)	1.87 (420)	2.45 (550)	2.67 (600)	2.89 (650)	3.34 (750)	4.00 (900)	4.45 (1 000)	4.90 (1 100)	5.56 (1 250)	6.23 (1 400)
	Mx	1.00 (740)	1.49 (1 100)	2.11 (1 560)	2.75 (2 030)	3.05 (2 250)	3.18 (2 350)	3.66 (2 700)	4.07 (3 000)	4.47 (3 300)	5.42 (4 000)	6.50 (4 800)	7.59 (5 600)
	My	0.51 (380)	0.77 (570)	1.06 (780)	1.34 (990)	1.49 (1 100)	1.56 (1 150)	1.83 (1 350)	2.03 (1 500)	2.51 (1 850)	2.71 (2 000)	3.25 (2 400)	3.79 (2 800)
	Mz	0.75 (550)	1.15 (850)	1.54 (1 140)	2.09 (1 540)	2.30 (1 700)	2.37 (1 750)	2.71 (2 000)	3.05 (2 250)	3.39 (2 500)	4.07 (3 000)	4.88 (3 600)	5.69 (4 200)

Head type	Forces and moments	Discharge head size mm (in.)											
		100 (4)	150 (6)	200 (8)	255 (10)	305 (12)	355 (14)	400 (16)	460 (18)	508 (20)	610 (24)	760 (30)	915 (36)
TF *	Fx	1.07 (240)	1.60 (360)	2.27 (510)	2.94 (660)	3.34 (750)	3.56 (800)	4.23 (950)	4.90 (1 100)	5.34 (1 200)	6.00 (1 350)	7.12 (1 600)	
	Fy	1.34 (300)	2.00 (450)	2.94 (660)	3.65 (820)	4.00 (900)	4.45 (1 000)	5.12 (1 150)	5.79 (1 300)	6.23 (1 400)	7.12 (1 600)	8.46 (1 900)	
	Fz	0.89 (200)	1.34 (300)	1.87 (420)	2.45 (550)	2.67 (600)	2.89 (650)	3.34 (750)	4.00 (900)	4.45 (1 000)	4.90 (1 100)	5.56 (1 250)	
	Mx	1.00 (740)	1.49 (1 100)	2.11 (1 560)	2.75 (2 030)	3.05 (2 250)	3.18 (2 350)	3.66 (2 700)	4.07 (3 000)	4.47 (3 300)	5.42 (4 000)	6.50 (4 800)	
	My	0.51 (380)	0.77 (570)	1.06 (780)	1.34 (990)	1.49 (1 100)	1.56 (1 150)	1.83 (1 350)	2.03 (1 500)	2.51 (1 850)	2.71 (2 000)	3.25 (2 400)	
	Mz	0.75 (550)	1.15 (850)	1.54 (1 140)	2.09 (1 540)	2.30 (1 700)	2.37 (1 750)	2.71 (2 000)	3.05 (2 250)	3.39 (2 500)	4.07 (3 000)	4.88 (3 600)	
UF	Fx	Contact Flowserve customer service											
	Fy												
	Fz												
	Mx	Contact Flowserve customer service											
	My												
	Mz												

Units: Force (F) in kN (lbf). Moments (M) in kNm (lbf-ft)

* Forces and moments shown for TF head are for the discharge flange. For the suction flange, use the values for the next larger size head.

4.7.3 Auxiliary piping

4.7.3.1 Drains

Normal pump leaks and gland leakage should be drained through a separate piping arrangement or back into the suction/sump.

4.7.3.2 Pumps fitted with gland packing

The pumped liquid is allowed to flow through the gland packing at discharge pressure and drained out of the pump or re-circulated back into the suction. A separate flush supply may be required in some cases. The piping plans and flush supply are to be selected based on the application and operating parameters.

In some special cases where the discharge pressure exceeds 6.5 bar (100 psi) a special flushing plan is recommended.

4.7.3.3 Pumps fitted with mechanical seals

Auxiliary piping to circulate the flushing liquid back into the suction is required. In case of external clean source requirements for pump applications such as high temperature service, contaminated fluids, oxidizing fluids, a special piping plan to carry the clean liquid into the seal chamber with adequate pressure is required and several piping plans are available to suit the specific pump application.

4.7.3.4 Thrust bearing coolant piping

Piping to facilitate bearing lubricant drain and piping for coolant in some models for liquid inlet and outlet to be installed per instructions and piping schemes provided in thrust bearing User Instructions.



See section 5.4, *Direction of rotation*, before connecting motor to the power supply.

4.7.4 Final checks

After connecting the piping to the pump, rotate the shaft several times by hand to ensure no pipe strain. If pipe strain exists, correct piping.

4.8 Electrical connections



DANGER Electrical connections must be made by a qualified Electrician in accordance with relevant local, national and international regulations.



It is important to be aware of the EUROPEAN DIRECTIVE on potentially explosive areas where compliance with IEC60079-14 is an additional requirement for making electrical connections.



It is important to be aware of the EUROPEAN DIRECTIVE on electromagnetic compatibility when wiring and installing the equipment on site. Attention must be paid to ensure that the techniques used during wiring/installation do not increase electromagnetic emissions or decrease the electromagnetic immunity of the equipment, wiring or any connected devices. If in any doubt contact Flowserve for advice.



DANGER The motor must be wired in accordance with the motor manufacturer's instructions (normally supplied within the terminal box) including any temperature, ground leakage, current and other protective devices as appropriate. The identification nameplate should be checked to ensure the power supply is appropriate.



A device to provide emergency stopping must be fitted to the system.



If not supplied pre-wired to the pump unit, the controller/starter electrical details will also be supplied within the controller/starter.



For electrical details on pump sets with controllers see the separate wiring diagram sent along with the pump.

4.9 Final shaft alignment check

After connecting piping to the pump, rotate the shaft several times by hand to ensure there is no binding and all parts are free. Recheck the coupling alignment, as previously described, to ensure no pipe strain. If pipe strain exists, correct piping.

4.10 Protection systems



The following protection systems are recommended particularly if the pump is installed in a potentially explosive area or is handling a hazardous liquid. If in doubt, consult Flowserve.

If there is any possibility of the system allowing the pump to run against a closed valve or below minimum continuous safe flow a protection device should be installed to ensure the temperature of the liquid does not rise to an unsafe level.

If there are any circumstances in which the system can allow the pump to run dry, or start up empty, a power monitor should be fitted to stop the pump or prevent it from being started. This is particularly relevant if the pump is handling a flammable liquid.

If leakage of product from the pump or its associated sealing system can cause a hazard it is recommended that an appropriate leakage detection system is installed.

To prevent excessive surface temperatures at the bearings, it is recommended that temperature and/or vibration monitoring is done on a regular basis.

5 COMMISSIONING START-UP, OPERATION AND SHUTDOWN



These operations must be carried out by fully qualified personnel. Turn off power supply for safety while pump commissioning is in progress.

5.1 Pre-commissioning procedure

The gland is to be filled with grease and flush supply to be in place. Flush piping to be checked for leaks. Mechanical seals must be checked for leaks, flush flow and pressure.

- a) Pumps with the enclosing tubes and oil-lubed bearings must be filled with the proper lubricant to avoid running dry and to guarantee acceptable performance of the pump. A separate oil tank is attached to the pump. (See detail in section 5.2.2.)
- b) For "Can" pumps check all vent connections for complete filling of the pump. The venting procedure can take from 10 minutes up to 2 hours, depending on the kind of fluid (except cryogenic service).
- c) Check the direction of rotation of the pump (Coupling spacer dismantled). Should be counter clockwise when viewed from the driver end.
- d) The pump rotor and the shaft seal must be in correct axial position.
- e) Check the readiness of all auxiliary systems (seal system, lubrication system etc) for startup.
- f) Check the oil level in thrust bearing assembly and fill if required. In case of thrust bearings cooled by circulating flush, ensure that the piping for flush flow is in place and the flush flow system working.
- g) All pipe work, including the internal and the auxiliary pipe work, must be connected correctly and must be absolutely tight. Check the tightness of all connections of the auxiliary pipe work. The suction valve must be open, the discharge valve shall be closed or partially open as required.
- h) Turn the pump by hand, if required with the help of a lever, to check the free rotation of the rotor. The rotor must turn uniformly and noiselessly. Some resistance may be felt due to the friction in the bearings and seals.
- i) Check the readiness of the driver for startup.



Refer to the manual for the driver to be sure that all precautions are in place to energize the motor.

5.2 Pump lubrication

Other than the stuffing box lubrication, mechanical seal and or lineshaft lubrication, the pump will not require further periodic lubrication. On water pumps, the suction bearing on the bowl assembly should be repacked when required.

Pumps that pump hydrocarbons or have carbon, rubber, epoxy or Teflon suction bearings do not have the suction bearings packed.

If the pump will be started after a longer storage period, the bearings should be first flushed and cleaned by using a suitable cleaning agent. It is not necessary to remove the oil sprayed for short or long-term storage as this will mix up thoroughly with the lubrication oil.

Note: Re-checking the motor lubrication should be in accordance with the motor manufacturer's user instructions supplied separately with the pump.

5.2.1 Open lineshaft lubrication

Open lineshaft bearings are lubricated by the pumped fluid where the static water level is less than 9 m (30 ft) below the discharge head and will usually not require pre or post-lubrication. Care is to be taken to ensure that the gland or seal is supplied with the required flush flow.

All open lineshaft pumps where the static water level is more than 9 m (30 ft) below the discharge head should be adequately pre-lubricated before starting the pump.

5.2.1.1 Pre-lubrication duration

Allow flush water to flow down the shaft for 45 minutes for pumps over 9 m (30 ft) and increase the pre-lube duration by at least 15 minutes for every 5 m (15 ft) additional shaft length beyond 20 m (65 ft). The fittings for pre-lube are provided at the discharge head.

5.2.1.2 Typical pre-lube pipe connection

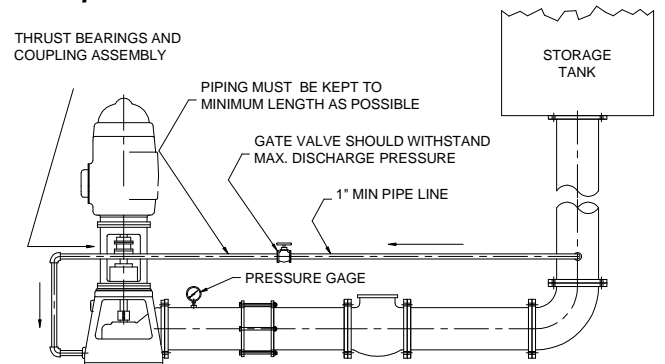
Examples 5.2.1.2a to 5.2.1.2d.

In general all W type cast discharge heads are provided with a standard size pipe fitting for pre-lube connection. Fabricated discharge heads are fitted with a special piping arrangement to allow pre-lube liquid flow onto the shaft.

Note: It is the responsibility of the user to install a reliable pre-lube system to achieve the pump pre-lubrication. Flowserve will not supply these types of systems or accessories with the pump.

Examples of typical pre-lube methods used in the industry are as follows:

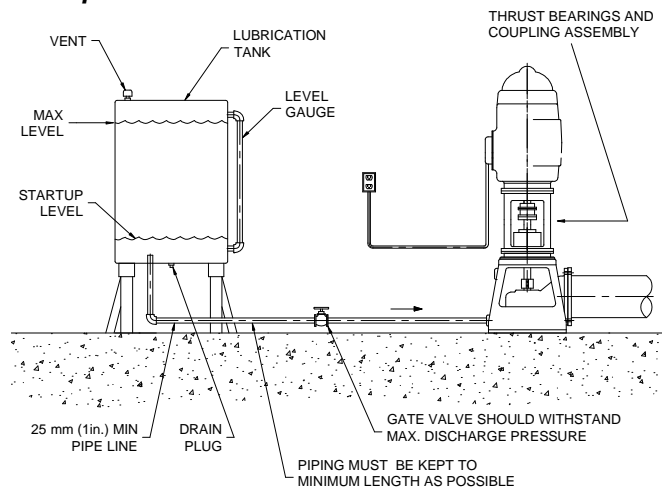
Example 5.2.1.2a



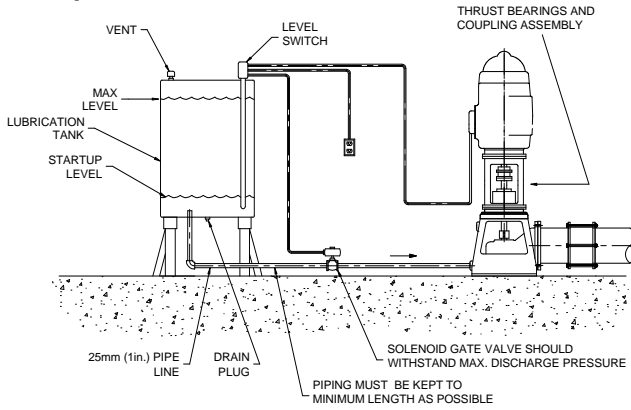
Pre-lubrication recommended tank volume for pumps started at rated rpm for all cases of pre-lubrication methods suggested in this section.

Depth to water level (at the time of starting the pump) m (ft)		Pre-lubrication tank size m ³ (US gal)
More than:	Up to:	
0	9 (30)	0
9 (30)	30 (100)	0.19 (50)
30 (100)	60 (200)	0.38 (100)
60 (200)	150 (500)	0.75 (200)

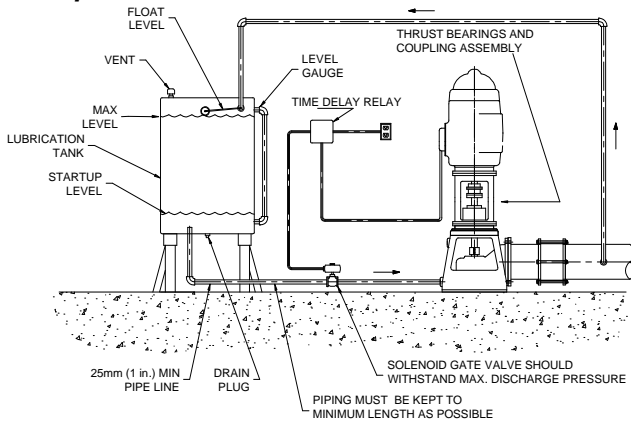
Example 5.2.1.2b



Example 5.2.1.2c



Example 5.2.1.2d



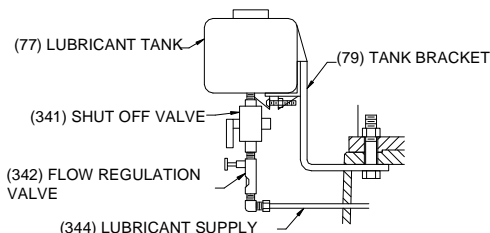
5.2.2 Enclosed shaft lubrication

VTPs with the enclosed shafting are lubricated by a dedicated oil supply system or injection lubricated by extraneous liquid; usually clean water to meet the application requirements.

5.2.2.1 Oil lubricated pumps

The lubricating oil must be available and should be allowed to run into the enclosing tube in sufficient quantity to thoroughly lubricate all lineshaft bearings. The gravity flow system is the most commonly utilized system for oil.

The oil reservoir (example shown in detail below) must be kept filled with a good quality light turbine oil (about 30 cSt) at the operating temperature and adjusted to feed a minimum of 3 drops per minute per 30 m (100 ft) of column length, not exceeding 5 drops per minute.



5.2.2.2 Pre-lubrication of oil lubricated pumps

As a general rule, the oil must be allowed to flow by gravity at least 45 minutes before the pump is started for the first time or if the pump was off for a longer duration. Adequate care should be taken to make sure that the flow is available and is consistent for subsequent startups.

5.2.2.3 Injection lubricated pumps

Enclosed lineshaft bearings are lubricated by extraneous liquid (usually clean water), which is fed to the tension nut either by gravity flow, or by a pressure injection system.

Note:

Injection systems are designed for each installation. Injection pressure and quantity of liquid will vary. Normally 0.45 to 0.90 m³/h (2 to 4 gpm) at 0.7 to 1.4 bar (10 to 20 psi) over maximum pump discharge pressure of clean liquid is required.

5.2.2.4 Pre-lubrication of injection lubricated pumps

As a general rule, the liquid flow is to be started at least 15 to 20 minutes before the pump is started for the first time or in the event of pump not being in use for longer duration.

The injected lubricant flow is never stopped for short "OFF" periods. Adequate care should be taken to make sure that the flow is available and consistent for subsequent startups and operation. Injection pressure to be adjusted as recommended before startup.

5.2.3 Enclosed shaft lubricants

The following oils are recommended for enclosed lineshaft bearing lubrication under normal operating conditions. (See tables 5.2.3.1 and 5.2.3.2.)



It is recommended that detergent type oils not be used.

5.2.3.1 Non-food grade lubricant oils

Oil manufacturer	Trade name of oil
Conoco Inc.	Conoco Diamond Class Turbine oil ISO-32
Exxon Company	Teresstic- GT 32
Mobil Oil Company	Mobile DTE-797- Grade-32
Shell Oil Company	Tellus-32, Tellus-37 or Turbo Oil T-32
Chevron Lubricants	Chevron Turbine Oil TR-32
BP	Energol HL-C 32
Texaco, Inc.	Texaco Regal (RandO)- 32

5.2.3.2 Food grade lubricant oils

Oil manufacturer	Trade name of oil
Exxon Company	Exxon-DTE-FM32
Mobil Oil Company	Mobile DTE-FM- Grade-32
Shell Oil Company	Cassida HF 32


If none of the above oils are available, equivalent turbine oil (food or non-food grades as required) with the matching properties has to be selected. Oils with a viscosity range of 30 cSt (mm²/s) to 37 cSt (mm²/s) at 40 °C (100 °F) with a minimum viscosity index of 90 are recommended.

The pour point of the oil must be in accordance with the lowest expected temperature of the bearing housing during a stop of the pump.

5.2.4 Shaft lubricant level

The correct oil level is in the middle of the oil sight glass and shall be checked when the pump is not in operation. Periodically check if the lubricating oil is mixed with any condensed water. Careful opening of the oil drain during a stop of the pump will show any water.

Note: After the initial start the level will decrease due to circulation of the oil through the bearings.

 If the oil level is higher than specified, it could result in higher bearing temperatures resulting in poor lubrication.


5.2.5 Thrust bearing lubricants

Note: For information on thrust bearing lubricant types, quantity, oil change schedule and all other specifications refer to thrust bearing manufacturer's User Instructions provided along with the pump or contact Flowserve service center.

5.2.5.1 Recommended oil lubricants for thrust bearings

ISO 32 grade turbine oil, food grade or non-food grade as applicable is used as lubricant for thrust bearings.

The lubricant selection is based on a specific order requirement or standard practice at certain part of the world the pump is sold.

 Flowserve recommends referring to thrust bearing manufacturer's User Instructions for lubricant selection or contact nearest Flowserve representative with the pump serial number for information.

5.2.5.2 Recommended grease lubricants for thrust bearing assembly

Grease manufacturer	Trade name of the grease
Pennzoil Company	Multipurpose grease Lube No.705
Exxon Company	Unirex N2 or Ronex MP
Mobil Oil Company	Mobilux 2
Shell Oil Company	Alvania No 2
Chevron Lubricants	Chevron SRI grease NO.2
BP	Energrease LS-EP 2
Texaco, Inc.	Premium BRB No 2 grease
Valvoline	Valvoline Val-Lithium No. 2
Union Oil Company of California	Unoba EP- No 2

5.3 Impeller adjustment

Proper impeller adjustment positions the impeller inside the bowl assembly for maximum performance. The impellers must be raised slightly to prevent them from dragging on the bowls, but not raised too high so as to adversely affect hydraulic performance.

The impeller must be down against the bowl seat when starting impeller adjustment. When pumps are subjected to suction pressure, the pressure acting against the shaft tends to raise it. Make sure the shaft is down when starting to adjust the impellers.

After the impeller adjustment, if pump does not deliver its rated capacity, the impellers can be lowered one step at a time until the lowest possible adjustment is achieved without creating impeller drag.

If, after making the impeller adjustment the pump does not deliver its rated capacity, the impellers can be lowered one step at a time until the lowest possible adjustment is achieved without the impellers dragging.

On the other hand, if the impellers appear to be dragging after the initial adjustment, the unit should be stopped and the impellers raised one step. Dragging impellers will increase the load significantly and can usually be heard and felt as increased vibration. A sharp rise in motor amperage will occur when impellers are dragging.

5.3.1 Impeller adjustment procedure

Impeller adjustment when using thrust bearing assembly is accomplished at the thrust stand itself by the following procedure:

- a) Check the shaft position. Lower shaft until there is a definite feel of metal contacting metal. This indicates the impellers are "on bottom" and in the correct starting position for impeller adjustment.

- b) Thread headshaft nut [66] down (right hand threads, except 43 mm (1.7 in.) and larger sizes that have left hand threads) until impellers are just raised off their seat and the shaft will rotate freely.
- c) Check a separate document that is supplied with the pump that provides recommended impeller setting and running clearance information.

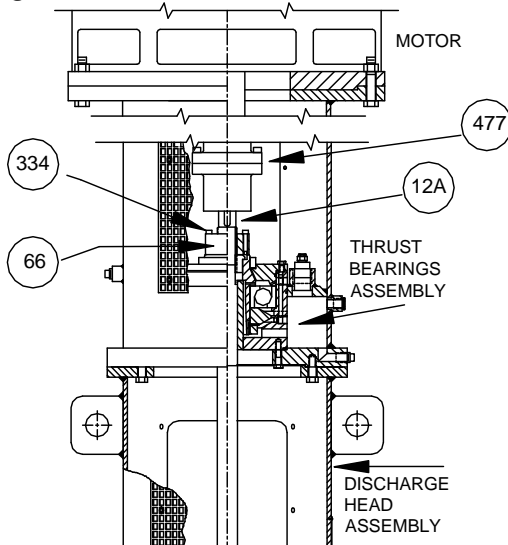
Note: If at any time during the life of this pump the pumping conditions or total pump length changes, contact the factory for recalculation of the impeller setting.

- d) Tighten the adjusting nut to match impeller setting recommended by Flowserve. (See table 5.3.1.1 and 5.3.1.2.)
- e) Using the cap screw provided, bolt the headshaft nut [66] down and lock using lock screw [334] to the motor coupling. (See the details of head shaft and lock screw arrangement below.)



- f) Always lock headshaft nut by tightening the lock screw [334] before starting driver. Failure to do so could result in damage to the pump and driver.
- g) If a mechanical seal is used, adjust the mechanical seal at this time.

Detail showing head shaft and lock screw arrangement



5.3.1.1 Impeller clearance setting

Flowserve recommends the following impeller settings based on the pump size.

If the pump you have purchased is:	Setting for enclosed impellers	Setting for semi-open impellers
Size 6 to size 12	3 to 4 mm (0.13 to 0.15 in.)	0.25 mm to 0.38 mm (0.010 in. to 0.015 in.)
Size 14 and above	6 to 7 mm (0.25 to 0.27 in.)	0.63 mm to 0.76 mm (0.025 in. to 0.030 in.)

Note:

Shafts elongate due to the hydraulic thrust of the pump and the impellers must be compensated for this elongation. Shaft elongation varies for each model depending upon the size, shaft length, shaft diameter, impeller weight, number of stages.



Please see the documentation supplied along with the pump for exact impeller setting value matched for the specific pump that you have purchased. If you do not find that information, please contact Flowserve factory for actual value.

5.3.1.2 Head shaft nut adjustment

Head shaft size mm (in.)	Threads per every 25 mm (1 in.) length of shaft	Lateral adjustment mm (in.)	
		One complete turn of nut will result in shaft movement of:	Each face of nut:
25 (1.0)	14	1.81 (0.070)	0.30 (0.012)
32 (1.25) 38 (1.50) 43 (1.69)	12	2.11 (0.080)	0.35 (0.014)
43 (1.69) 50 (1.94) 55 (2.19) 62 (2.44)	10	2.54 (0.100)	0.40 (0.016)
68 (2.69) 75 (2.94)	8	3.17 (0.120)	0.53 (0.020)

5.4 Direction of rotation



Ensure the pump is given the same rotation as specified or as marked on the pump/driver. Please contact Flowserve representative, if you have any questions before the startup.

To avoid dry running the pump must either be filled with liquid or have the flexible coupling disconnected before the driver is switched on.



If maintenance work has been carried out to the site's electricity supply, the direction of rotation should be re-checked as above in case the supply phasing has been altered.

5.5 Guarding



Guarding is supplied fitted to the pump set. Fasteners for guards must remain captive in the guard to comply with the Machinery Directive 2006/42/EC. When releasing guards, the fasteners must be unscrewed in an appropriate way to ensure that the fasteners remain captive. Whenever guarding is removed or disturbed ensure that all the protective guards are securely refitted prior to start-up

Machinery to be protected at all times by Flowserve provided safety guards or per applicable local or national standard. Compliance is mandatory for some regions of the world and in explosive environments.

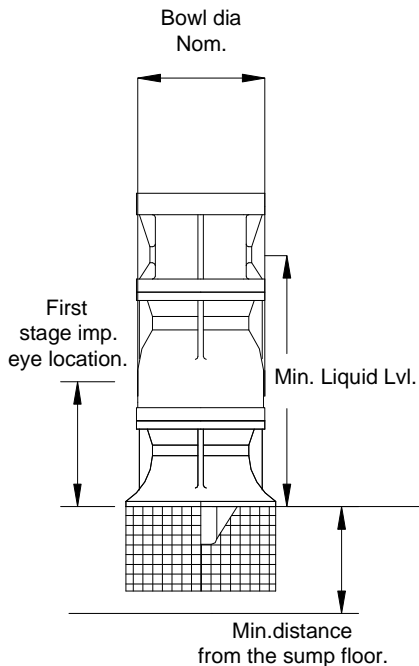
5.6 Priming and auxiliary supplies

CAUTION Ensure electrical, hydraulic, pneumatic, sealant and lubrication systems (as applicable) are connected and operational.

CAUTION Ensure the inlet pipe and pump casing are completely full of liquid before starting continuous duty operation.

5.6.1 Pump submergence

Minimum submergence is required to prevent vortex formation.



The submergence varies in general from 2 to 3 times the nominal bowl diameter and is always specific to each pump model. The submergence needed for adequate NPSH to the first stage impeller may be different from the general rule mentioned earlier.

Location of the first stage impeller eye to be taken into account for minimum priming submergence. It is also equally important to take note of the minimum distance to be maintained to the suction bell from the sump floor (with or without strainer). Therefore, refer to the Flowserve supplied general assembly drawing on minimum submergence or contact Flowserve before the pump is started.

5.7 Starting the pump

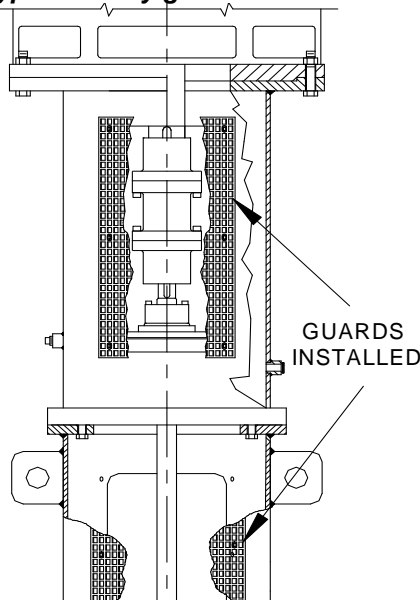
5.7.1 Pre-starting checks

Before starting the pump the following checks should be made:

- a) Rotate the pump shaft by hand to make sure the pump rotates freely and the impellers are correctly positioned.
- b) Has the electric motor been properly lubricated in accordance with the instructions furnished with the driver?
- c) Has the electric motor been checked for proper rotation? If not, the pump must be disconnected from the driver at the coupling before checking. The electric motor must rotate counter-clockwise when looking down on the top of the driver.
- d) Check all connections to the driver and control. Do not overfill the grease cavity. Over greasing can lead to failure of the thrust bearing.
- e) Check that all piping connections are tight.
- f) Check all foundation bolts for tightness.
- g) Check all bolting connections for tightness (coupling bolts, mechanical seal gland bolts, driver bolts etc).
- h) Make sure the mechanical seal is properly adjusted and locked into place. Ensure that all seal spacers are in the running position prior to operation.
- i) All guards must be secured in position prior to pump startup to prevent possible contact with rotating parts.
- j) To ensure proper alignment three items are very important during installation and they are:
 - All machined mating surfaces (such as the mating faces of the pump and motor) must be clean and free from burrs and nicks. These surfaces should be cleaned thoroughly with a scraper, wire brush and emery cloth if necessary and all nicks or burrs removed with a fine file.
 - Exterior strain must not be transmitted to the pump. The most common cause of trouble in this respect is forcing the piping to mate with the pump. It is recommended that flexible connectors be installed in the piping adjacent to the pump.
 - All threads should be checked for damage and repaired if necessary. If filing is necessary remove the part from the pump, if possible, or arrange to catch all the filings so they do not fall onto other parts of the pump. Clean all threads with a wire brush and approved cleaning solvent. Ends of shafts must be cleaned and any burrs removed since alignment depends on the shaft ends butting squarely.

- k) Lubricate all screwed connections with a suitable approved thread lubricant (an approved anti-galling compound should be used on stainless mating threads).
- l) On pumps equipped with mechanical seals, clean fluid should be put into the seal chamber. With pumps under suction pressure this can be accomplished by bleeding all air and vapor out of the seal chamber and allowing the fluid to enter. With pumps not under suction pressure, the seal chamber should be flushed liberally with clean fluid to provide initial lubrication. Make sure the mechanical seal is properly adjusted and locked into place. Insure that all seal spacers are removed prior to operation.
- m) Make sure that thrust bearing lubricant is filled up to the required level with a specified lubricant.

5.7.1.1 Typical safety guards



CAUTION After initial startup, pre-lubrication of the mechanical seal will usually not be required as enough liquid will remain in the seal chamber for subsequent startup lubrication.



Note: A screen guard is furnished with all pumps having a two-piece headshaft or an adjustable flanged coupling. This screen must be secured in place prior to pump startup to prevent possible contact with rotating parts. (See typical arrangement in section 5.7.1.1.)

5.7.2 Stuffing box adjustment

On the initial starting it is very important that the packing not be tightened excessively. New packing must be run in properly to prevent damage to the shaft and shortening of the packing life.

The stuffing box must be allowed to leak for proper operation. The proper amount of leakage can be determined by checking the temperature of the leakage, this should be cool or just lukewarm - NOT HOT - usually 40 to 60 drops per minute will be adequate.

When adjusting the packing gland, bring both nuts down evenly and in small steps until the leakage is reduced as required. The nuts should only be tightened about one half turn at a time at 20 to 30 minute intervals to allow the packing to "run-in". Under proper operation, a packing set will last a long time. Occasionally a new ring of packing will need to be added to keep the box full.

After adding two or three rings of packing, or when proper adjustment cannot be achieved, the stuffing box should be cleaned completely of all old packing and re-packed.

5.7.3 Open shaft lubrication before startup

Open lineshaft bearings are lubricated by the pumped fluid on short-coupled units less than 15 m (50 ft) long and usually do not require pre or post lubrication. All open lineshaft pumps where the static water level is more than 15 m (50 ft) below the discharge head should be adequately pre-lubricated before startup. These units should have a non-reverse ratchet on the driver to prevent backspin when turning off pump. If there is no NRR, post-lubrication is also necessary.

5.7.4 Enclosed shaft lubrication before start up

Enclosed lineshaft bearings are lubricated by an extraneous liquid (usually oil or clean water).

The oil reservoir must be kept filled with a good quality of light turbine oil (about 30 cSt (mm²/s) at operating temperature) and adjusted to feed 3 drops/minute for every 30 m (100 ft) of column.

Injection systems are designed for each installation. Injection pressure and quantity of lubricating liquid will vary. Usually 0.45 to 0.90 m³/h (2 to 4 gpm) at 0.7 to 0.14 bar (10 to 20 psi) over maximum pump discharge pressure of clean liquid is required.

For recommended oils for enclosed lineshaft bearing lubrication under normal operating conditions, please see tables 5.2.3.1 and 5.2.3.2. If none of the above oils are available, oil with the following specifications should be obtained. Turbine type oil with rust and oxidation inhibitors added, viscosity 30 cSt (mm²/s) to 37 cSt (mm²/s) at 37.8 °C (100 °F) with a minimum viscosity index of 90.

CAUTION For product-lubricated bearings, the source of product supply should be checked against the order. There may be requirements for an external clean supply, particular supply pressure or the provision of lubrication supply before pump startup.

5.7.5 Initial starting

- CAUTION** Ensure flushing and/or cooling/heating liquid supplies are turned ON before starting the pump.
- a) If the discharge line has a valve in it, it should be partially open for initial starting. The discharge valve is intended to add sufficient system resistance to the pump. Failure to maintain pump flow rates within the limits of the pump and motor could result in severe damage.
 - b) OPEN all inlet valves.
 - c) Prime the pump and check lubrication system in operation (check the liquid level).
 - d) **CAUTION** Ensure all vent connections are closed before starting.
 - e) Check the motor connections.
 - f) Start pre-lubrication liquid flow on pump if required.
 - g) Start the pump and observe the operation. If there is any difficulty, excess noise or vibration, stop the pump immediately and refer to the Troubleshooting Chart (section 7) to determine the probable cause.

CAUTION Do not run the pump with the outlet valve closed for a period longer than 30 seconds.

- h) Open vent connections and ensure that the unit is vented of all trapped vapor before closing the vents.

CAUTION Observe extreme caution when venting and or draining hazardous liquids. Wear protective clothing in the presence of caustic, corrosive, volatile, flammable or hot liquids. Do not breath toxic vapors. Do not allow sparking, flames or hot surfaces in the vicinity of the equipment.

- i) Open the discharge valve as desired to operate the unit at its design conditions.
- j) Check complete pump and driver for leaks, loose connections, or improper operation.

If possible, the pump should be left running for about a half hour on the initial startup, this will allow the bearings, packing or seals, and other parts to "run-in" and reduce the possibility of trouble on future starts.

CAUTION If abrasives or debris are present, upon startup, the pump should be allowed to run until the pumpage is clean. Stopping the pump when handling large amounts of abrasives (as is

sometimes present on initial starting) may lock the pump and cause more damage than if the pump is allowed to continue operation.

Every effort should be made to keep abrasives out of lines, sump etc. so that abrasives will not enter the pump.

CAUTION In the case of product lubricated bearings the source of product supply should be checked against the order. There may be requirements for an external clean supply, particular supply pressure or the commencement of lubrication supply before pump start-up.

5.7.6 Frequency of lubrication

The characteristics of the installation and severity of service will determine the frequency of lubrication. Lubricant and pump/motor bearing temperature analysis is useful in optimizing lubricant change intervals.

The motor bearing temperature limitations should be considered for its lubrication requirements. Refer to the driver manufacturer's user instructions supplied with the pump.

CAUTION Never mix greases containing different bases, thickeners or additives.

5.7.7 Normal vibration levels, alarm and trip

Pumps generally fall under classification of rigid support machines within the International Rotating Machinery standard and maximum vibration levels are based on those standards.

CAUTION Alarm and trip values for installed pumps should be based on the actual measurements (N) taken on the pump in a fully commissioned (new) condition. Measuring vibration at regular intervals and recording will help to track any deterioration in pump or operating conditions.

5.7.7.1 Typical allowable field vibration values for vertical turbines- sump or wet pit types

Motor rating kW (hp)	Vibration velocity - unfiltered	Vibration mm/s (in./sec) rms
0.75 to 7.5 (1 to 10)	N	6.1 (0.24)
7.5 to 75 (10 to 100)	N	6.1 (0.24)
75 to 750 (100 to 1 000)	N	6.1 (0.24) to 7.1 (0.28)

N = Normal. Alarm = N x 1.25. Trip = N x 2.0.

5.7.7.2 Typical allowable field vibration values for vertical turbines with the suction barrel

Motor rating kW (hp)	Vibration velocity - unfiltered	Vibration mm/s (in./sec) rms
0.75 to 7.5 (1 to 10)	N	5.1 (0.20)
7.5 to 75 (10 to 100)	N	5.1 (0.20)
75 to 750 (100 to 1 000)	N	5.1 (0.20) to 6.1(0.24)
750 to 2 238 (1 000 to 3 000)	N	6.1 (0.24) to 7.1 (0.28)

N = Normal. Alarm = N x 1.25. Trip = N x 2.0.

5.7.8 Motor start/stop frequency

Even though motors are normally suitable for at least two consecutive starts, it is recommended to restart only after coasting to rest between starts (minimum of 15 minutes gap), with the motor initially at ambient temperature. If more frequent starting is necessary, refer to driver manufacturer’s instructions or contact Flowserve with details.

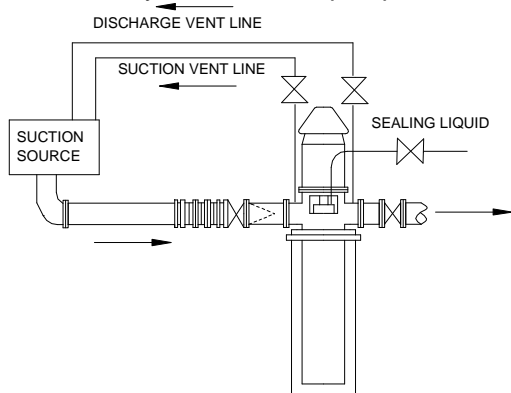
CAUTION The number of motor start and stops in any given time affects motor life.

If the motor is expected to experience multi starts in any given time, please refer to the driver’s User Instructions before the pump is put into operation.

5.8 Operating the pump

5.8.1 Venting the pump

Make sure that the pump is vented to enable all trapped air to escape, taking due care with the hazardous or hot liquids. Under normal conditions after the pump is fully vented and primed, it should be unnecessary to re-vent the pump.



5.8.2 Pumps fitted with packed glands

If the pump has a packed gland, there must be some leakage from the gland. Gland nuts should initially be finger-tight only. Leakage should take place soon after the stuffing box is pressurized.

The gland must be adjusted evenly to give visible leakage and concentric alignment of the gland ring to avoid excess temperature. If no leakage takes place, the packing will begin to overheat.

If overheating takes place, the pump should be stopped and allowed to cool before being re-started. When the pump is re-started, check to ensure leakage is taking place at the packing gland.

If hot liquids are being pumped it may be necessary to loosen the gland nuts to achieve leakage.

The pump should be run for 30 minutes with steady leakage and the gland nuts tightened by 10 degrees at a time until leakage is reduced to an acceptable level. Normally a minimum of 40 to 60 drops per minute is required.

Care must be taken when adjusting the gland on an operating pump. Safety gloves are essential. Loose clothing must not be worn to avoid being caught by the pump shaft. Shaft guards must be replaced after the gland adjustment is complete.

CAUTION Never run gland packing dry, even for a short time.

5.8.3 Pumps fitted with mechanical seal

Mechanical seals require no adjustment. Any slight initial leakage will stop when the seal is run in.

Before pumping dirty liquids, it is advisable, if possible, to run in the pump mechanical seal using clean liquid to safeguard the seal face.

CAUTION External flush or quench should be started before the pump is run and allowed to flow for a period after the pump has stopped.

CAUTION Never run a mechanical seal dry, even for a short time.

5.8.4 Pump and motor bearing temperature

If the pumps are working in a potentially explosive atmosphere, temperature or vibration monitoring at the bearings is recommended.



If pump bearing temperatures (such as thrust bearings) are to be monitored it is essential that a benchmark temperature is recorded at the commissioning stage and after the bearing temperature has stabilized.

- Record the bearing temperature (t) and the ambient temperature (ta)

- Estimate the likely maximum ambient temperature (tb)
- Set the alarm at $(t+tb-ta+5) \text{ } ^\circ\text{C}$ [$(t+tb-ta+10) \text{ } ^\circ\text{F}$] and the trip at $100 \text{ } ^\circ\text{C}$ ($212 \text{ } ^\circ\text{F}$) for oil lubrication and $105 \text{ } ^\circ\text{C}$ ($220 \text{ } ^\circ\text{F}$) for grease lubrication

It is important, particularly with grease lubrication, to keep a close watch on the bearing temperatures. After startup the temperature rise should be gradual, reaching a maximum after approximately 1.5 to 2 hours. This temperature rise should then remain constant or marginally reduce with time.

5.9 Stopping and shutdown

-  Close the outlet valve, but ensure that the pump runs in this condition for no more than a few seconds.
- Stop the pump.
- Switch off flushing and/or cooling/heating liquid supplies at a time appropriate to the process.
-  For prolonged shutdowns and especially when ambient temperatures are likely to drop below freezing point, the pump and any cooling and flushing arrangements must be drained or otherwise protected.

5.10 Hydraulic, mechanical and electrical duty

This product has been supplied to meet the performance specifications of your purchase order, however it is understood that during the life of the product these may change. The following notes may help the user decide how to evaluate the implications of any change. If in doubt contact your nearest Flowserve office.

5.10.1 Specific gravity (SG)

Pump capacity and total head in m (ft) do not change with SG, however pressure displayed on a pressure gauge is directly proportional to SG. Power absorbed is also directly proportional to SG. It is therefore important to check that any change in SG will not overload the pump driver or over-pressurize the pump.

5.10.2 Viscosity

For a given flow rate the total head reduces with increased viscosity and increases with reduced viscosity. In addition, for a given flow rate the power absorbed increases with increased viscosity, and reduces with reduced viscosity. It is important to contact nearest Flowserve office, if changes in viscosity are planned.

5.10.3 Pump speed

Changing pump speed effects flow, total head, and power absorbed, $NPSH_R$, noise and vibration. Flow varies in direct proportion to pump speed, head varies as speed ratio squared and power varies as speed ratio cubed. The new duty, however, will also be dependent on the system curve. If increasing the speed, it is important to ensure the maximum pump working pressure is not exceeded, the driver is not overloaded, $NPSH_A > NPSH_R$, and that noise and vibration are within local requirements and regulations.

5.10.4 Net positive suction head (NPSH_A)

NPSH available ($NPSH_A$) is a measure of the head available in the pumped liquid, above its vapor pressure, at the pump suction branch.

NPSH required ($NPSH_R$) is a measure of the head required in the pumped liquid, above its vapor pressure, to prevent the pump from cavitating. It is important that $NPSH_A > NPSH_R$. The margin between $NPSH_A > NPSH_R$ should be as large as possible.

If any change in $NPSH_A$ is proposed, ensure these margins are not significantly eroded.



Refer to the pump performance curve to determine exact requirements particularly if flow has changed.

If in doubt please consult the nearest Flowserve office for advice and details of the minimum allowable margin for the application.

5.10.5 Pumped flow

Flow must not fall outside the minimum and maximum continuous safe flow shown on the pump performance curve and or data sheet.

6 MAINTENANCE

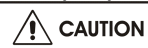
6.1 General




It is the plant operator's responsibility to ensure that all maintenance, inspection and assembly work is carried out by authorized and qualified personnel who have adequately familiarized themselves with the subject matter by studying this manual in detail. (See also section 1.6.2.)

Any work on the machine must be performed when it is at a standstill. It is imperative that the procedure for shutting down the machine is followed, as described in section 5.9. On completion of work all guards and safety devices must be re-installed and made operative again.

Before restarting the machine, the relevant instructions listed in section 5, *Commissioning startup, operation and shut down* must be observed.

 **Oil and grease leaks may make the ground slippery. Machine maintenance must always begin and finish by cleaning the ground and the exterior of the machine.**

If platforms, stairs and guardrails are required for maintenance, they must be placed for easy access to areas where maintenance and inspection are to be carried out. The positioning of these accessories must not limit access or hinder the lifting of the part to be serviced.

 When air or compressed inert gas is used in the maintenance process, the operator and anyone in the vicinity must be careful and have the appropriate protection.

Do not spray air or compressed inert gas on skin

Do not direct an air or gas jet towards other people


Never use air or compressed inert gas to clean clothes

Before working on the pump, take measures to prevent an uncontrolled start. Put a warning board on the starting device with the words: **"Machine under repair: do not start"**.

With electric drive equipment, lock the main switch open and withdraw any fuses. Put a warning board on the fuse box or main switch with the words: **"Machine under repair: do not connect"**.

Never clean equipment with inflammable solvents or carbon tetrachloride. Protect yourself against toxic fumes when using cleaning agents.

6.2 Maintenance schedule

 It is recommended that a maintenance plan and schedule be adopted, in line with these User Instructions. It should include the following:

- Any auxiliary systems installed must be monitored, if necessary, to ensure they function correctly.
- Gland packings must be adjusted correctly to give visible leakage and concentric alignment of the gland follower to prevent excessive temperature of the packing or follower.
- Check for any leaks from gaskets and seals. Proper functioning of the shaft seal must be checked on a regular basis.

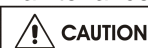
- Check bearing lubricant level, and if the hours run show a lubricant change is required.
- Check that the duty condition is in the safe operating range for the pump.
- Check vibration, noise level and surface temperature at the bearings to confirm satisfactory operation.
- Check that the dirt and dust is removed from areas around close clearances, bearing housings and motors.
- Check coupling alignment and re-align if necessary.

Our specialist service personnel can help with preventative maintenance records and provide condition monitoring for temperature and vibration to identify the onset of potential problems.


If any problems are found the following sequence of actions should take place:

- Refer to section 7, *Faults; causes and remedies*, for fault diagnosis.
- Ensure equipment complies with the recommendations in this manual.
- Contact Flowserve if the problem persists.

A periodic inspection is recommended as the best means of preventing breakdown and keeping maintenance costs to a minimum.

 Variation from initial performance is probably an indication of changing system conditions, wear, or impending breakdown of unit.

6.2.1 Routine inspection (daily/weekly)

 Routine inspection schedule should be developed and inspection log be maintained. The following checks should be made and appropriate action taken to remedy any deviations:

- Check operating behavior. Ensure that noise, vibration and bearing temperatures are within the allowable limits.
- Check that there are no abnormal fluid or lubricant leaks (static and dynamic seals) and that any sealant systems (if fitted) are full and operating normally.
- Check that shaft seal leaks are within acceptable limits.
- Check the level and condition of oil lubricant. On grease lubricated pumps, check the running hours since last recharge of grease or complete grease change.
- Check any auxiliary supplies eg heating/cooling (if fitted) are functioning correctly.



Refer to the user manuals of any associated equipment if periodic checks needed.

6.2.2 Periodic inspection (every six months)



- a) Check foundation bolts for security of attachment and corrosion.
- b) Check pump operation log/records for hourly usage to determine if the bearing lubricant requires changing.
- c) The coupling should be checked for correct alignment and worn driving elements.



Refer to the user manuals of any associated equipment for periodic checks needed.

6.2.3 Re-lubrication

6.2.3.1 Pump lubrication

In general, VTPs that are product lubricated will not require further periodic lubrication. Stuffing box and mechanical seal needs flow of flush. Enclosed line shaft pumps have to be provided with the required oil quantity for an oil lubed system and the injection lube flow at the required pressure for injection lubed systems.

6.2.3.2 Driver lubrication



Refer to the driver manufacturer's User Instructions supplied with the pump.

6.2.4 Impeller re-adjustment

Ordinarily, impellers will not require re-adjustment if properly set at initial installation.



All adjustments of the impellers will change the seal setting, therefore, the seal must be loosened from the shaft until the adjustment is completed and then reset.

6.2.5 Maintenance of the stuffing box

6.2.5.1 General

Maintenance of the stuffing box will consist of greasing the box when required, tightening the packing gland occasionally as the leakage becomes excessive, and installing new packing rings or sets as required.

6.2.5.2 Greasing the stuffing box

Under ordinary operation, once-a-month greasing of the stuffing box will be adequate. A high quality industrial grade # 2 grease is recommended; see the table below for typical brands and types:

Manufacturer	Grease types
Exxon	Unirex N2
BP	Energrease LS2
Mobil	Mobilux 2
Shell	Alvania No.2
Texaco	Multitak 20
Esso	Beacon 2

6.2.5.3 Replacing packing

- a) Remove gland and all old packing. If the box contains a lantern ring, remove this and all packing below it using two long threaded machine screws.
- b) Inspect shaft or sleeve for score marks or rough spots. Be sure by-pass holes (if supplied) are not plugged. Repair or replace badly worn shaft or sleeve.
- c) If wear is minor, dress down until smooth and concentric. Clean box bore.
- d) Oil inside and outside of replacement rings lightly and install in box, staggering joints 90 degrees. Be sure to replace lantern ring in proper position when used.
- e) Replace gland and tighten nuts finger tight. The packing gland must never be tightened to the point where leakage from the packing is stopped. A small amount of leakage is required for packing lubrication.

Packing ring sizes vary with the shaft diameter. Please see the table below for packing ring size information.

Packing dimensions		
Shaft size	Packing ring size	Outside diameter of packing
mm (in.)	mm (in.)	mm (in.)
25 (1.00)	9.65 (0.38)	44.4 (1.75)
32 (1.25)	9.65 (0.38)	50.8 (2.00)
38 (1.50)	11.17 (0.44)	60.4 (2.38)
43 (1.69)	12.70 (0.50)	68.3 (2.68)
49 (1.93)	12.70 (0.50)	74.6 (2.93)
56 (2.20)	12.70 (0.50)	81.0 (3.19)
62 (2.44)	12.70 (0.50)	87.3 (3.43)
68 (2.68)	12.70 (0.50)	93.7 (3.69)
75 (2.95)	12.70 (0.50)	100.0 (3.93)
82 (3.22)	12.70 (0.50)	107.9 (4.24)
89 (3.50)	15.74 (0.62)	120.6 (4.74)
95 (3.75)	15.74 (0.62)	127.0 (5.00)
102 (4.00)	15.74 (0.62)	133.3 (5.24)
114 (4.50)	15.74 (0.62)	146.0 (5.74)

6.2.5.4 Startup with new packing

Check to see that the by-pass line (if used) is connected and the packing gland is loose. Start pump and allow it to run for 20 to 30 minutes. Do not tighten the gland during this "run-in" period even if leakage is excessive. Should the new packing cause excessive heating during "run-in", flush the shaft and packing box area with cold water or shut the pump down and allow it to cool.



For all repair instructions please call Flowserve representative or customer service with the order number and unit details for specific repair instruction literature.

All repair work to be carried out by trained and authorized personnel only. Flowserve's written permission may be required for any disassembly/repair of the pump that is still under warranty.

6.2.6 Maintenance of mechanical seal



Refer to seal manufacturer's User Instructions on routine maintenance and operation.

6.2.7 Maintenance of thrust bearings

Maintaining thrust bearings in top condition is very important and vital for smooth operation of the pump.

6.2.7.1 Maintenance of thrust bearings (oil lubricated)

Oil level in the thrust bearing housing must be checked every day during operation. Oil temperature monitoring may be necessary on a routine basis and maintaining a log of the temperature readings is recommended.

Oil is to be added to the reservoir through the 32 mm (1.25 in.) standard NPT fitting provided. Make sure to re-install NPT fitting after the oil is filled.

Oil level indicator is provided for oil level verification. Fill the reservoir to halfway in the sight glass indicator.

Note:

Please note that the oil level will decrease slightly while the pump is running.



Do not overfill the oil reservoir as excessive oil may lead to overheating of bearings. (See section 5.2.6 for thrust bearing lubricant information.)

6.2.7.2 Oil change interval for thrust bearings

Thrust bearing oil to be changed at least every 12 months. This rule could change depending on the severity of pump usage and other variants that could effect the oil properties. It is recommended to refer to the bearing manufacturer's User Instructions for specific details for the type of bearing that is installed on the pump.

6.2.7.3 Maintenance of thrust bearings (grease lubricated)

Grease is to be injected into the grease fitting in the upper cap. Remove the upper cap to vent the cavity. Inject grease into the upper cap until the cavity is about $\frac{1}{2}$ to $\frac{1}{3}$ level full.



Do not overfill the grease cavity. Over greasing the bearings can lead to bearing failure.

6.2.7.4 Grease change interval for thrust bearings

Thrust bearings to be re-greased every 3 to 6 months and to be completely replaced with new grease at least every 12 months. This rule could change depending on the severity of pump usage and other variants that could affect the grease properties. It is recommended to refer to the bearing manufacturer's User Instructions for specific details. Routine bearing temperature monitoring and keeping a log of the recordings are very helpful to make this determination.

6.3 Spare parts

6.3.1 Ordering of spares

Flowserve keep records of all pumps that have been supplied. When ordering spare parts we need the following information:

- pump type and size
- serial number of pump
- quantity of the spare parts required
- reference number and name of the part as listed in the part list or in the sectional drawing

The pump size and serial number are as shown on the pump nameplate.

Note:

To ensure continued satisfactory operation, replacement parts to the original design specification should be obtained from Flowserve. Any change to the original design specification (modification or use of a non-standard part) will invalidate the pump's safety certification.

6.3.2 How to select recommended spares

Generally a list of spare parts supplied along with the pump that shows the parts that are included in each of the following classes of recommended spares. If you do not find such documentation please contact Flowserve for the list.

- Class 1 (S1) – start-up and commissioning spares. (Suggested for domestic service when pump is handling clean non-corrosive liquids and where interruptions in service are not important.)
- Class 2 (S2) – two year spares requirement covering maintenance for this period. (Suggested for domestic service when pump is handling abrasive or corrosive liquids and where some interruptions in continuity of service are not objectionable.)
- Class 3 (S3) – capital spares requirement

Please contact Flowserve Sales representative in your area to review the spares best suited to meet your requirements.

6.3.3 Storage of spare parts

Spares should be stored in a clean dry area away from vibration. Inspection and re-treatment of metallic surfaces (if necessary) with preservative is recommended at 6 month intervals.

6.4 Recommended spares and consumable items

A list of spares and consumables are generally included along with this User Instructions and other documents that you have received along with the pump and is made specifically to your order. In the event that the list is not found, please contact Flowserve with the pump type and order number.

6.5 Tools required

Standard tools needed to maintain this pump are as follows:

- Open ended spanners/wrenches (standard size range)
- Socket spanners/wrenches (standard size range)
- Allen keys/wrenches
- Standard range of screw drivers
- Soft mallet

For drive collet pumps:

- Collet driver
- Sand collar (if not provided on the unit)
- Tie down bolt

Note:

Other tools may be required depending on the accessories/special parts used in the contract. Flowserve in general is not obligated to ship the tools with any pump shipped.

6.6 Fastener torques

Note:

Torque values shown are for standard fasteners lubricated with a high stress lubricant (such as graphite and oil, moly-disulphite, white lead etc). For stainless steel bolts multiply listed torques by 0.80.

6.6.1 Fastener torques for bowl assembly

Bolt torque values for class 2 lubricated treads							
Thread data		Material group					
		A 316 SS	B ASTM B164 UNS NO4400	C Hastalloy C276	D ASTM A449 GRADE 5	E ASTM A193 Grade B7M	F SAE J429 Grade 8
		Approximate Yield stress –N/mm ² (psi)					
Nominal diameter	Threads per 25 mm/1 in.	207 (30 000)	276 (40 000)	345 (50 000)	441 (60 000)	552 (80 000)	690 (10 0000)
mm (in.)		Torque Nm (lb•ft)					
6 (0.25)	20	4 (3)	5 (4)	5 (4)	7 (5)	9 (7)	12 (9)
8 (0.31)	18	7 (5)	8 (6)	11 (8)	14 (10)	17 (13)	21 (16)
10 (0.37)	16	9 (7)	14 (10)	16 (12)	20 (15)	27 (20)	34 (25)
11 (0.43)	14	16 (12)	20 (15)	25 (19)	31 (23)	42 (31)	53 (39)
12 (0.5)	13	23 (17)	31 (23)	39 (29)	47 (35)	62 (46)	78 (58)
15 (0.56)	12	27 (20)	45 (33)	75 (41)	66 (49)	89 (66)	111 (82)
16 (0.62)	11	41 (30)	60 (44)	54 (73)	88 (65)	118 (87)	149 (110)
19 (0.74)	10	81 (60)	101 (75)	127 (94)	149 (110)	203 (150)	257 (190)
22 (0.87)	9	122 (90)	163 (120)	203 (150)	258 (190)	312 (250)	420 (310)
25 (1.00)	8	190 (140)	244 (180)	312 (230)	366 (270)	488 (360)	610 (450)
29 (1.13)	7	271 (200)	352 (260)	448 (330)	529 (390)	705 (520)	882 (650)
29 (1.13)	7	271 (200)	366 (270)	461 (340)	556 (410)	732 (540)	923 (680)
32 (1.25)	7	366 (270)	488 (360)	610 (450)	746 (550)	990 (730)	1 235 (910)
32 (1.25)	8	379 (280)	502 (370)	637 (470)	760 (560)	1 017 (750)	1 275 (940)
35 (1.38)	6	434 (320)	570 (420)	719 (530)	855 (630)	1 140 (840)	1 425 (1 050)
35 (1.38)	8	461 (340)	610 (450)	760 (560)	922 (680)	1 221 (900)	1 533 (1 130)
38 (1.50)	6	556 (410)	746 (550)	936 (690)	1 126 (830)	1 506 (1 110)	1 872 (1 380)
38 (1.50)	8	597 (440)	800 (590)	990 (730)	1 194 (880)	1 587 (1 170)	1 995 (1 470)
41 (1.63)	5.5	719 (530)	963 (710)	1 207 (890)	1 438 (1 060)	1 927 (1 420)	2 402 (1 770)
41 (1.63)	8	773 (570)	1 031 (760)	1 302 (960)	1 560 (1 150)	2 076 (1 530)	2 592 (1 910)
44 (1.75)	5	882 (650)	1 180 (870)	1 479 (1 090)	1 778 (1 310)	2 375 (1 750)	2 958 (2 180)
44 (1.75)	8	971 (720)	1 302 (960)	1 628 (1 200)	1 940 (1 430)	2 592 (1 910)	
50 (2.00)	4.5	1 356 (1 000)	1 778 (1 310)	2 225 (1 640)	2 673 (1 970)		
50 (2.00)	8	1 478 (1 090)	1 968 (1 450)	2 470 (1 820)	2 958 (2 180)		
57 (2.25)	8	2 143 (1 580)	2 850 (2 100)				
63 (2.50)	8	2 970 (2 190)					

6.6.2 Fastener torques for coupling bolts

Coupling size	Flange diameter mm (in.)	Nm (lb·ft)
1 and 2	111 or 137 (4.4 or 5.4)	122 (90)
3, 4 and 5	156, 187, 213 (6.0, 7.4, 8.4)	237 (175)
6	250 (10.0)	424 (313)

6.7 Setting impeller clearance

Please see section 5.3 for specific instructions on impeller adjustment.

6.8 Disassembly

Refer to section 1.6, *Safety*, before dismantling the pump.

CAUTION Before dismantling the pump make sure that the power supply is turned off. Pump controls are in off position, locked and tagged.

Ensure genuine Flowserve replacement parts are available on hand

Please take precaution during disassembly that there is no risk of explosion due to the nature of the materials/tools/equipments/method used. Wherever chemical and hazardous materials are involved, proper safety rules have to be followed to prevent any dangers to human lives or livestock. Contact Flowserve for guidance, or local regulatory agency for specific safety information.

6.8.1 Pump disassembly instructions

See section 2.3 and 4.5 for related information.

- Disconnect all cables/wires and cooling water pipe connections to the driver (if provided).
- Carefully remove the flush or lubricant connections and remove any associated piping that would interfere with the dismantling.
- Make sure that all the valves are shut completely to avoid any leaks or spills.
- Disconnect the coupling halves [471] (the driver and thrust bearing assembly).
- Disconnect the suction (if used) and discharge pipe connections to the discharge head.
- Rig the motor to a suitable hoist and keep the lifting mechanism in ready state.
- Remove the motor to discharge head [304] bolting and remove the motor from the discharge head and place it on a safe and appropriate location.
- If the pump is of shorter length (with or without can) rig the discharge head along with the entire pump assembly using a suitable hoist. (See section 2.3, *Lifting*.) Check the building height clearance before lifting is attempted.

- Use eye bolts and hooks as necessary and get the lifting mechanism in ready state.
- Lifting of short set pumps:
 - Remove the fasteners at the discharge head/foundation/soleplate
 - Lift the entire pump assembly by clamping at the discharge head [304]. (See section 2.3.)
- Lifting of deep set pumps:
 - Remove the thrust bearing assembly[444] and the fasteners at the soleplate
 - Remove stuffing box/mechanical seal [349] completely. Protect the shaft against damage while lifting the discharge head [304]
 - Lift the pump just enough to access the first column pipe flange connection
 - Support the entire pump just below the first column pipe joint [101]
 - Disconnect the discharge head [304] and lift
 - Now lift the pump again by using column pipe flange and disconnect the first section of column piping
 - Remove the bearing retainers [307] and shaft couplings [70] and repeat the process until all column piping is disassembled
 - Last step is to lift and remove the bowl assembly

See section 2.3, 4.1.2 and 4.1.3 for related information.

6.8.2 Disassembly of thrust bearings

Note: Thrust bearing assemblies vary in size, type and configuration. You are recommended to refer to the manufacturer’s User Instructions for detailed instructions and care.

6.8.2.1 Disassembly of oil lubricated thrust bearing assembly

(See sectional detail 6.8.2.2 for typical thrust bearing assembly parts.)

- Remove the drain plug [498] from the bottom of the thrust stand [476] and allow the oil to completely drain from the reservoir.
- Remove the coupling guard bolts [417] and washers [418] to remove the coupling guard [131A].
- Remove the spacer from the flexible coupling [477]. Also, remove the lower hub of the spacer coupling from the top shaft.
- Remove the six socket head cap screws [511] from the adjusting nut [66]. Remove the adjusting nut [66] from the top shaft.
- Remove the gib key [335] from between the topshaft and the spindle [505].
- Remove the eight hex head cap screws [502] that secure the bearing housing [500] to the driver stand [476].

- g) The bearing housing [500] can now be removed from the driver stand [476].
- h) Remove the top half of the labyrinth seal [510] from the bearing spindle [505]. The top half of the seal [510] can be pulled off the spindle [505] as this is a friction fit using an O-ring.
- i) Remove the eight hex head cap screws (479) that secure the housing cap [478] to the bearing housing [500]. Remove the cap [478] from the housing [500].
- j) The bearing spindle [505], thrust bearing [444], oil impeller [508], bearing lockwasher [506] and bearing locknut [507] can now be removed from the bearing housing [500] as a complete assembly. The bearing [444] utilizes a press fit into the housing [500]. The assembly can be pressed out of the housing or the outside of housing can be heated to allow it to expand. If heating is used to remove the components do not heat the housing [500] above 93 °C (200 °F) as damage may occur to the components. Remove any O-rings before heating.
- k) After the bearing assembly is removed, all components can be removed from the spindle [505]. First, bend the tab flat on the lockwasher [506] then remove the locknut [507] and the lockwasher [506] from the spindle [505].

The oil impeller [508] and the bearing [444] both use a press fit onto the spindle [505]. The spindle must be pressed out of the impeller [508] and the bearing [444]. Make sure to note the top and bottom of the bearing [444] and the impeller [508] for reassembly.

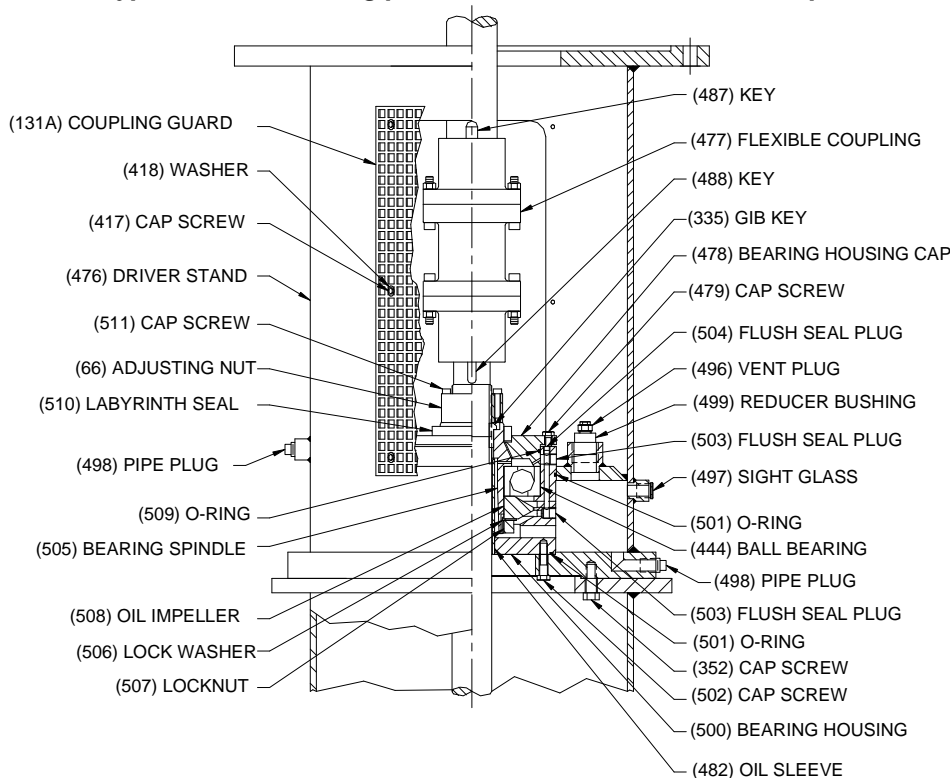
- i) Inspect the bearing and replace if necessary.

See section 6.8.2.2 below for the parts detail of a typical thrust bearing assembly

6.8.2.3 Disassembly of grease lubricated thrust bearing assembly

- a) Remove the thrust bearing assembly and lay in the horizontal position. Block evenly to prevent movement.
- b) Remove upper and lower thrust caps.
- c) Push the thrust bearing and thrust sleeve out of the thrust stand.
- d) If the thrust bearing must be replaced. Press it off of the thrust sleeve.
- e) Clean all parts thoroughly before reassembly.
- f) If the thrust bearing is being replaced, press the new bearing onto the shaft. Make sure the thrust bearing is pressed all the way against the step in the sleeve.

6.8.2.2 Typical thrust bearing parts details and recommended spares



Note: The detail shown is a typical thrust bearing assembly used with VTPs. There are various types of thrust bearing assemblies in size, type and configurations.

You are advised to refer to the manufacturer's User Instructions for detailed instructions on disassembly and care for specific type used on the pump that has been purchased.

If in doubt, please contact the Flowserve Service Center nearest you.

6.9 Examination of parts

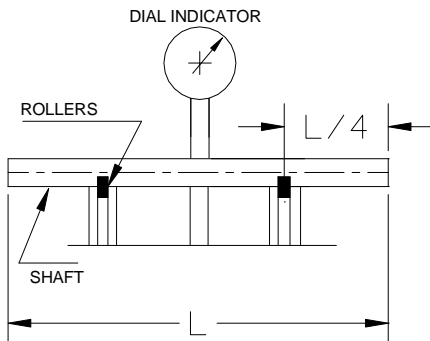
CAUTION Used parts must be inspected before assembly to ensure the pump will subsequently run properly. In particular, fault diagnosis is essential to enhance pump and plant reliability. Before proceeding with assembly, thoroughly clean all bolts, nuts, threaded connections and mating faces. Clean up any burrs with a file or emery cloth.

CAUTION Cleanliness and proper lubrication are required to guarantee ease of re-assembly and proper pump operation.

6.9.1 Examination of shaft/s

Check the shafts for straightness, pitting and wear. Remove all burrs or nicks. Shaft damage is usually best corrected by replacing the shaft.

The shaft must be straight to within 0.127 mm (0.005 in.) total indicator reading. The detail below shows the recommended method for checking shaft straightness. If the shaft is not straight, it must be straightened or replaced. If the deflection is gradual over a considerable length, the shaft can usually be straightened by supporting on two blocks straddling the crooked section and applying pressure to the high side to deflect the shaft in the opposite direction.



If the shaft has a sharp crook (dog-leg), replacement of the shaft is recommended since the shaft will not always remain straight, even if satisfactorily straightened.

CAUTION Even if the shaft is new or has been previously straightened, it is recommended that the shaft be re-checked at this point to ensure damage has not occurred in transit or handling.

6.9.2 Examination of bearings

Check all bearings for total clearance over the shaft. It is recommended that all bearings indicating visual wear be replaced. In addition, any bearings whose running clearance exceeds "as new" tolerances by more than 50 % should be replaced. (See table 6.9.2.1.)

Note: Rubber bearings should always be replaced when servicing a pump.

Bronze, epoxy, carbon, PEEK (eg AR-HT) and hard-backed rubber bearings are pressed into their respective bores. They can either be pressed out or machined on the inside diameter until the wall is thin enough to collapse.

6.9.2.1 Shaft/bearing clearance

Shaft size mm (in.)	Shaft diameter/tolerance min diam - max diam mm (in.)		Bearing clearance (max/min) mm (in.)
25.40 (1.000)	25.35 (0.998)	25.40 (1.000)	0.28/0.13 (0.011/0.005)
31.75 (1.250)	31.70 (1.248)	31.75 (1.250)	0.35/0.15 (0.012/0.006)
38.10 (1.500)	38.05 (1.498)	38.10 (1.500)	0.33/0.18 (0.013/0.007)
42.86 (1.690)	42.81 (1.685)	42.86 (1.687)	0.36/0.18 (0.014/0.007)
49.21 (1.940)	49.16 (1.935)	49.21 (1.937)	0.38/0.23 (0.015/0.008)
55.56 (2.190)	55.51 (2.185)	55.56 (2.187)	0.41/0.23 (0.016/0.009)
61.91 (2.440)	61.86 (2.435)	61.91 (2.437)	0.41/0.23 (0.016/0.009)
68.26 (2.690)	68.21 (2.685)	68.26 (2.687)	0.43/0.23 (0.017/0.009)
74.61 (2.940)	74.56 (2.935)	74.61 (2.937)	0.43/0.23 (0.017/0.009)
82.55 (3.250)	82.47 (3.247)	82.55 (3.250)	0.46/0.25 (0.018/0.010)
88.90 (3.500)	88.82 (3.497)	88.90 (3.500)	0.48/0.28 (0.019/0.011)
95.25 (3.750)	95.17 (3.747)	95.25 (3.750)	0.53/0.35 (0.021/0.012)
101.60 (4.000)	101.58 (3.997)	101.60 (4.000)	0.56/0.33 (0.022/0.013)
114.30 (4.500)	114.22 (4.497)	114.30 (4.500)	0.58/0.35 (0.023/0.014)
127.00 (5.000)	126.92 (4.997)	127.00 (5.000)	0.61/0.38 (0.024/0.015)

Some rubber bearings are the snap-in or glue-in type. These can be removed by prying inward on the outside of the bearing to collapse it.

If the bearing bore of the housing is heavily scarred or corroded, the part should be replaced or reworked to provide a true bore for the bearing.

Replacement bearings are designed to be pressed into housings so bores will shrink to "as new" tolerances. Measure the bore of bearings after pressing and ream as necessary to assure "as new" tolerances.

6.9.3 Inspection of bowl assembly

When repairing a bowl assembly that has been in service for several years, the physical condition or strength of all parts such as cap screws, bowls and bowl threads must be carefully checked.

CAUTION When attempting to rework any part, extreme care must be taken to maintain alignment of mating parts and ensure “as new” tolerances.

The inspection, disassembly of bowl assembly requires expertise and tools to perform the job correctly. We recommend that you seek the services of Flowserve trained technicians to inspect and repair bowl assemblies.

6.9.3.1 Inspection of enclosed impellers

- a) Clear all passageways and check for signs of damage from abrasion or corrosion. Replace an impeller that shows signs of excessive wear.
- b) Check impeller running clearances against “as new” tolerances listed in 6.9.4. If the clearances exceed the maximum tolerances shown by more than 50 %, the new wear rings should be installed to obtain correct tolerances.
- c) If the original unit was furnished with bowl and impeller wear rings, they may be pressed or machined off.

Note: Please note that certain repairs may require special skills and it is recommended to contact a Flowserve authorized service center before attempting any such repairs. See wear ring tolerances chart.

6.9.3.2 Inspection of semi-open impellers

- a) Clear all passageways and check for signs of damage from abrasion or corrosion.
- b) Replace any impeller, which shows signs of excessive wear. If the bowl faces or impellers are worn slightly [grooves in either impeller or bowl under 0.79 mm (¹/₃₂ in.)], they can be corrected by re-facing the impeller and bowl. 0.79 mm (¹/₃₂ in.) is the maximum that can be machined off without harm to the hydraulic performance of the pump.
- c) The machining must match the face angle and should be re-faced by an authorized Flowserve repair facility or replaced.
- d) If the impeller has a balance ring on the topside (side opposite pumping vanes) running clearances must be checked.

6.9.4 Wearing ring tolerances - enclosed impellers

Nominal bowl ring internal diameter mm (in.)	Clearance between bowl and impeller wear rings *		Bowl ring interference fit	Impeller ring interference fit
	Standard	Galled		
mm (in.)				
50.8-76.2 (2-3)	0.330/0.229 (0.013/0.009)	0.533/0.432 (0.021/0.017)	0.101/0.050 (0.004/0.002)	0.076/0.025 (0.003/0.001)
76.2-101.6 (3-4)	0.356/0.229 (0.014/0.009)	0.635/0.483 (0.025/0.019)	0.127/0.050 (0.005/0.002)	0.102/0.025 (0.004/0.001)
101.6-127.0 (4-5)	0.381/0.279 (0.015/0.011)	0.635/0.533 (0.025/0.021)	0.152/0.076 (0.006/0.003)	0.127/0.038 (0.005/0.002)
127.0-152.4 (5-6)	0.406/0.305 (0.016/0.012)	0.660/0.559 (0.026/0.022)	0.178/0.076 (0.007/0.003)	0.127/0.038 (0.005/0.002)
152.4-177.8 (6-7)	0.406/0.305 (0.016/0.012)	0.686/0.584 (0.027/0.023)	0.178/0.076 (0.007/0.003)	0.127/0.038 (0.005/0.002)
177.8-203.2 (7-8)	0.432/0.330 (0.017/0.013)	0.711/0.610 (0.028/0.024)	0.203/0.076 (0.008/0.003)	0.152/0.051 (0.006/0.002)
203.2-228.2 (8-9)	0.457/0.356 (0.018/0.014)	0.737/0.635 (0.029/0.025)	0.254/0.102 (0.010/0.004)	0.178/0.051 (0.007/0.002)
228.2-254.0 (9-10)	0.457/0.356 (0.018/0.014)	0.762/0.660 (0.030/0.026)	0.254/0.102 (0.010/0.004)	0.229/0.051 (0.009/0.002)
254.0-279.4 (10-11)	0.457/0.356 (0.018/0.014)	0.788/0.686 (0.031/0.027)	0.254/0.102 (0.010/0.004)	0.229/0.076 (0.009/0.003)
279.4-304.8 (11-12)	0.457/0.356 (0.018/0.014)	0.813/0.711 (0.032/0.028)	0.280/0.102 (0.011/0.004)	0.229/0.076 (0.009/0.003)
304.8-330.2 (12-13)	0.508/0.356 (0.020/0.014)	0.890/0.737 (0.035/0.029)	0.280/0.102 (0.011/0.004)	0.229/0.076 (0.009/0.003)
330.2-355.6 (13-14)	0.508/0.356 (0.020/0.014)	0.914/0.762 (0.036/0.030)	0.305/0.102 (0.012/0.004)	0.254/0.102 (0.010/0.004)
355.6-381.0 (14-15)	0.508/0.356 (0.020/0.014)	0.940/0.788 (0.037/0.031)	0.305/0.127 (0.012/0.005)	0.254/0.102 (0.010/0.004)
381.0-406.4 (15-16)	0.559/0.406 (0.022/0.016)	0.965/0.813 (0.038/0.032)	0.305/0.127 (0.012/0.005)	0.254/0.102 (0.010/0.004)
406.4-431.8 (16-17)	0.559/0.406 (0.022/0.016)	0.990/0.838 (0.039/0.033)	0.305/0.127 (0.012/0.005)	0.254/0.102 (0.010/0.004)
431.8-457.2 (17-18)	0.610/0.457 (0.024/0.018)	1.010/0.864 (0.040/0.034)	0.305/0.127 (0.012/0.005)	0.254/0.102 (0.010/0.004)
457.2-482.6 (18-19)	0.610/0.457 (0.024/0.018)	1.041/0.889 (0.041/0.035)	0.330/0.406 (0.013/0.016)	0.279/0.127 (0.011/0.005)
482.6-508.0 (19-20)	0.610/0.457 (0.024/0.018)	1.070/0.914 (0.042/0.036)	0.330/0.406 (0.013/0.016)	0.279/0.127 (0.011/0.005)
508.0-533.4 (20-21)	0.660/0.508 (0.026/0.020)	1.092/0.934 (0.043/0.037)	0.356/0.152 (0.014/0.006)	0.305/0.127 (0.012/0.005)
533.4-558.8 (21-22)	0.660/0.508 (0.026/0.020)	1.118/0.965 (0.044/0.038)	0.356/0.152 (0.014/0.006)	0.304/0.127 (0.012/0.005)
558.8-584.2 (22-23)	0.660/0.508 (0.026/0.020)	1.143/0.990 (0.045/0.039)	0.356/0.152 (0.014/0.006)	0.304/0.127 (0.012/0.005)
584.2-609.6 (23-24)	0.660/0.508 (0.026/0.020)	1.168/1.020 (0.046/0.040)	0.381/0.179 (0.015/0.007)	0.330/0.152 (0.013/0.006)
609.6-635.0 (24-25)	0.660/0.508 (0.026/0.020)	1.194/1.041 (0.047/0.041)	0.406/0.179 (0.016/0.007)	0.330/0.152 (0.013/0.006)
635.0-660.4 (25-26)	0.660/0.508 (0.026/0.020)	1.220/1.066 (0.048/0.042)	0.406/0.203 (0.016/0.008)	0.356/0.179 (0.014/0.007)
660.4-685.8 (26-27)	0.660/0.508 (0.026/0.020)	1.244/1.092 (0.049/0.043)	0.406/0.203 (0.016/0.008)	0.356/0.179 (0.014/0.007)

* PEEK AR-HT lower clearance is as standard with upper clearance slightly above standard eg 0.533/0.356 mm (0.021/0.014 in.) for a bowl ring of 266.7 mm (10.5 in.)

6.10 Assembly

To assemble the pump, refer to any specific sectional arrangement drawing with the contract. Otherwise section 8 shows the standard sectional drawing for the pump. Note that some specific sectional drawings may be necessary to assemble the pump correctly.

Note:

The pump that has been purchased may have order specific assembly and parts configurations. Specific cross sectional drawings that reflect the exact pump/parts details can be purchased from Flowserve. Contact Flowserve for drawings purchase and cost information.

It is recommended to call for trained Flowserve technicians for all your assembly needs.



Refer to seal manufacturer's instructions for disassembly and re-assembly of mechanical seals.



Please take precaution during assembly process such that there is no risk of explosion due to the nature of the materials/tools/equipments/methods used. Wherever chemicals and hazardous materials are involved, proper safety rules must be followed to prevent any dangers to human lives or livestock. Refer to applicable local regulatory agency requirements for specific safety information.

6.10.1 Assembly of thrust bearings

6.10.1.1 Re-assembly of oil-lubricated thrust bearings

- a) Assemble components in the reverse order of steps given in section 6.8.2.1. Take extra care while assembling O-rings to ensure that they are seated in the groove properly so that they will not get pinched or move out of location during parts assembly.
- b) Bolt lower cap to the thrust bearing assembly.

- c) After all components have been reassembled into the driver stand the oil reservoir should be filled with clean oil. To fill the reservoir, oil should be added by removing the 31.75 mm (1.25 in.) NPT fitting [499] located on top of the plate near the driver stand window. The oil level should be halfway into the sight level [497]. Do not overfill the reservoir as excessive churning and heating of the oil will occur.

6.10.1.2 Re-assembly of grease lubricated thrust bearing assembly

- a) Fill the grease grooves of the lower cap with grease. Grooves are located on the ID of the cap.
- b) Push the sleeve/bearing assembly into the thrust stand.
- c) Pack the bearing with grease.
- d) Fill the grease grooves of the upper cap with grease.
- e) Bolt the upper cap to the thrust stand.
- f) Fill the upper cavity (above the thrust bearing) approximately $\frac{1}{3}$ to $\frac{1}{2}$ full with grease.
- g) Vent the cavity by re-moving the plug located opposite the grease zerk.
- h) Replace the plug when grease has been added. Use greases listed in section 5.2.5.2.



Do not overfill the grease cavity. Over greasing can lead to failure of the thrust bearing.

- i) Slide the thrust stand assembly over the shaft and bolt to the discharge head. Be sure the key is in place.

7 FAULTS; CAUSES AND REMEDIES

FAULT SYMPTOM

Pump overheats and seizes														
↓	Pump will not run													
↓	Pump vibrates or is noisy													
↓	Mechanical seal has short life													
↓	Mechanical seal leaks excessively													
↓	Pump requires excessive power													
↓	Motor Overloaded													
↓	Insufficient pressure developed													
↓	Insufficient capacity delivered													
↓	Pump runs but does not deliver liquid													
													PROBABLE CAUSES	POSSIBLE REMEDIES
A. SYSTEM PROBLEMS														
●													● ● Pump not submerged.	Check requirements/liquid level. Vent and/or prime.
	●												● ● Impeller not adjusted or loose on shaft.	See section 5.3 for proper impeller adjustment.
	●												● ● Suction lift too high or level too low.	Check $NPSH_a > NPSH_r$, proper submergence, losses at strainers/fittings.
●	●												● ● Insufficient margin between suction pressure and vapor pressure.	
													● ● Excessive amount of air or gas in liquid.	Check and purge pipes and system.
													● Line check valve backward/stuck.	Reverse check valve/free the valve.
													● Unit running backwards.	See start up instruction. Check motor phase/wiring
	●												● ● Air or vapor pocket in suction line.	Check suction line design for vapor pockets.
													● ● Air leaks into suction line.	Check suction pipe is airtight.
	●												● ● Intake strainer or impeller plugged or pump in mud or sand.	Start and stop several times or use line pressure if available to back flush or pull pump to clean.
	●												● ● Inlet of suction pipe insufficiently submerged.	Check out system design.
													● ● Speed too low.	Consult Flowserve.
													● ● Speed too high.	Consult Flowserve.
													● ● Total head of system higher than differential head of pump.	Check system losses or consult Flowserve.
													● Total system head is lower than pump design head.	
													● ● Specific gravity of liquid different from design.	Check and consult Flowserve.
													● ● Viscosity of liquid differs from the designed.	Check the pump design for the type of liquid to be handled. Consult Flowserve.
●	●												● ● Operation at very low capacity.	Measure. Check minimum permitted. Consult Flowserve.
	●	●											● ● Operation at high capacity.	Measure value and check maximum permitted. Consult Flowserve.
B. MECHANICAL PROBLEMS														
●	●	●	●	●	●								● ● Misalignment due to pipe strain.	Check the flange connections and eliminate strains using elastic couplings or a method permitted.
		●											● ● Improperly designed foundation. Loose fasteners.	Check setting of base plate. Tighten, adjust, grout base as required. Check fasteners and torque.
	●	●	●	●	●								● ● Shaft bent.	Check shaft run outs. Consult Flowserve.
●	●	●				●	●						● ● Rotating part rubbing on stationary part.	Check. Consult Flowserve, if necessary.
●	●	●	●	●									● ● Bearings worn.	Replace bearings.
						●	●	●					● ● Wearing ring surfaces worn.	Replace worn wear ring/surfaces.

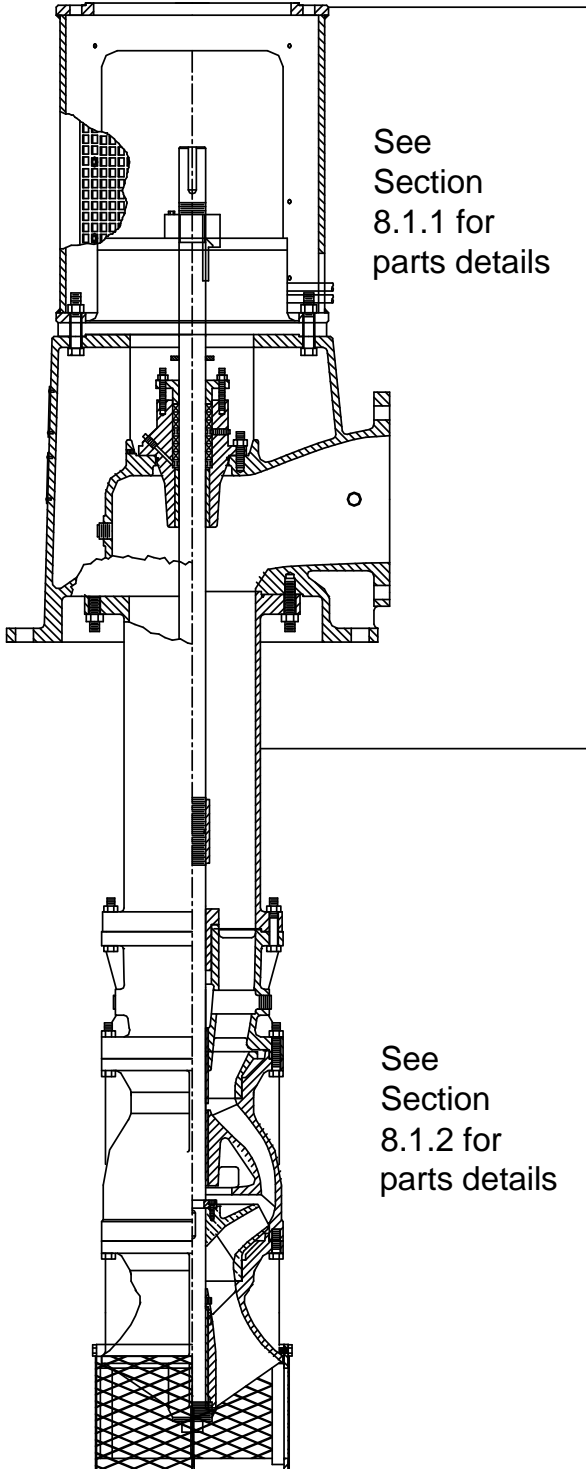
FAULT SYMPTOM

Pump overheats and seizes																			
↓	Pump will not run																		
↓	↓	Pump vibrates or is noisy																	
↓	↓	↓	Mechanical seal has short life																
↓	↓	↓	↓	Mechanical seal leaks excessively															
↓	↓	↓	↓	↓	Pump requires excessive power														
↓	↓	↓	↓	↓	Motor Overloaded														
↓	↓	↓	↓	↓	↓	Insufficient pressure developed													
↓	↓	↓	↓	↓	↓	Insufficient capacity delivered													
↓	↓	↓	↓	↓	↓	Pump runs but does not deliver liquid													
						PROBABLE CAUSES					POSSIBLE REMEDIES								
	●				●	Impeller damaged or eroded.					Replace or consult Flowserve for an upgrade.								
		●				Leakage under sleeve due to joint failure.					Replace joint and check for damage.								
		●	●			Shaft sleeve worn, scored, or running off center.					Check and renew defective parts.								
		●	●	●		Mechanical seal improperly installed.					Check alignment of faces/damaged parts/assembly								
		●	●	●		Incorrect type of mechanical seal.					Consult Flowserve.								
●	●	●	●			Shaft running off center because of worn bearings or misalignment.					Check misalignment and correct if necessary. If alignment satisfactory check bearings for excessive wear.								
●	●	●	●			Impeller out of balance resulting in vibration.					Check. Consult Flowserve for problem resolution ideas.								
	●	●	●	●		Solids/abrasive particles in liquid pumped.													
		●	●			Internal misalignment of parts preventing seal ring and seat from mating properly.													
		●	●			Mechanical seal was run dry.					Check mechanical seal/flush supply/pump and repair.								
		●	●	●		Internal misalignment due to improper repairs causing impeller to rub.					Check method of assembly, possible damage or state of cleanliness during assembly. Check and consult Flowserve, if necessary.								
●	●	●				Excessive thrust caused by a mechanical failure inside the pump.					Check wear condition of impeller, its clearances and liquid passages.								
	●	●				Excessive grease in ball bearings.					Check method of re-greasing.								
	●	●				Lack of lubrication for bearings.					Check hours run since last change of lubricant, the schedule and its basis.								
	●	●				Improper installation of bearings (damage during assembly, incorrect assembly, wrong type of bearing etc).					Check method of assembly, possible damage or state of cleanliness during assembly and type of bearing used. Remedy and consult Flowserve, if necessary.								
	●	●				Damaged bearings due to contamination.					Check contamination source and replace bearings.								
C. MOTOR/ELECTRICAL PROBLEMS																			
		●		●	●	●	●	●		Wrong direction of rotation.					Reverse 2 phases at motor terminal box.				
	●									Motor protector open.					Check nameplate for voltage and current rating. Replace faulty motor protectors.				
						●				Line voltage not correct/faulty control box/wiring/low voltage.					Check wiring diagram.				
	●									Blown fuse/breaker open/dead motor/short or loose connection.					Check/repair or replace fuses/breakers.				
				●					●	Motor running on 2 phases only.					Check supply and fuses.				
	●	●							●	Motor running too slow.					Check motor terminal box connections and voltage.				

8 PARTS LIST AND DRAWINGS

Note: Please refer to section 8.4 for Europump part number equivalents.

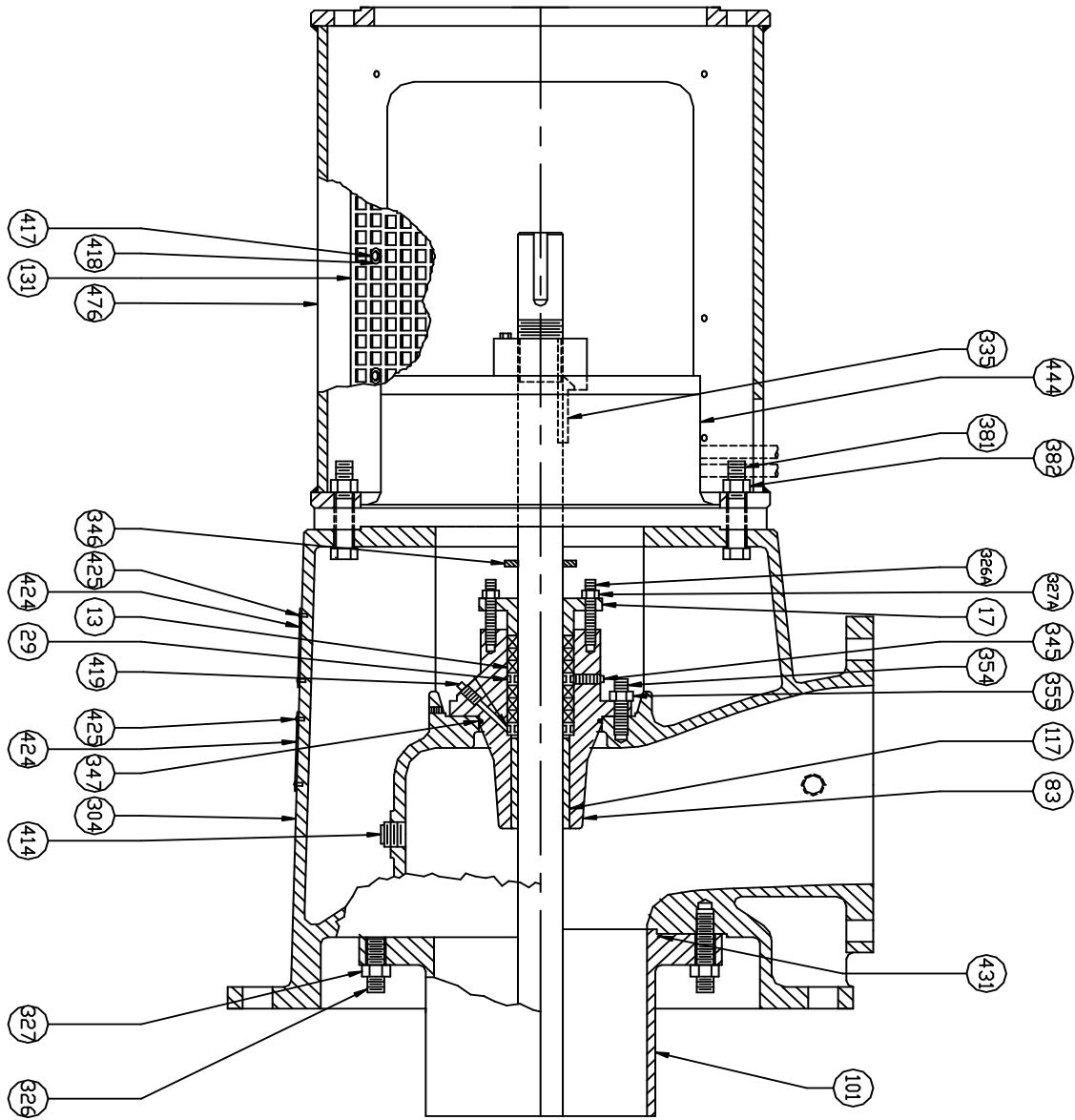
8.1 Cross section: product lubricated VTP



Note: *All the sectional drawings provided in this section are typical representations of the most common pump types and are provided for the purposes of basic understanding of the equipment. The details shown may not reflect the specifics of the pump that has been purchased or ordered. Specific cross sectional drawings and parts can be purchased from Flowserve separately. Contact Flowserve for ordering and pricing information on such documentation.*

See sections 8.1.1 and 8.1.2 for parts details.

8.1.1 Parts identification: discharge head and column assembly, typical wet pit/sump type design - product lubricated VTP

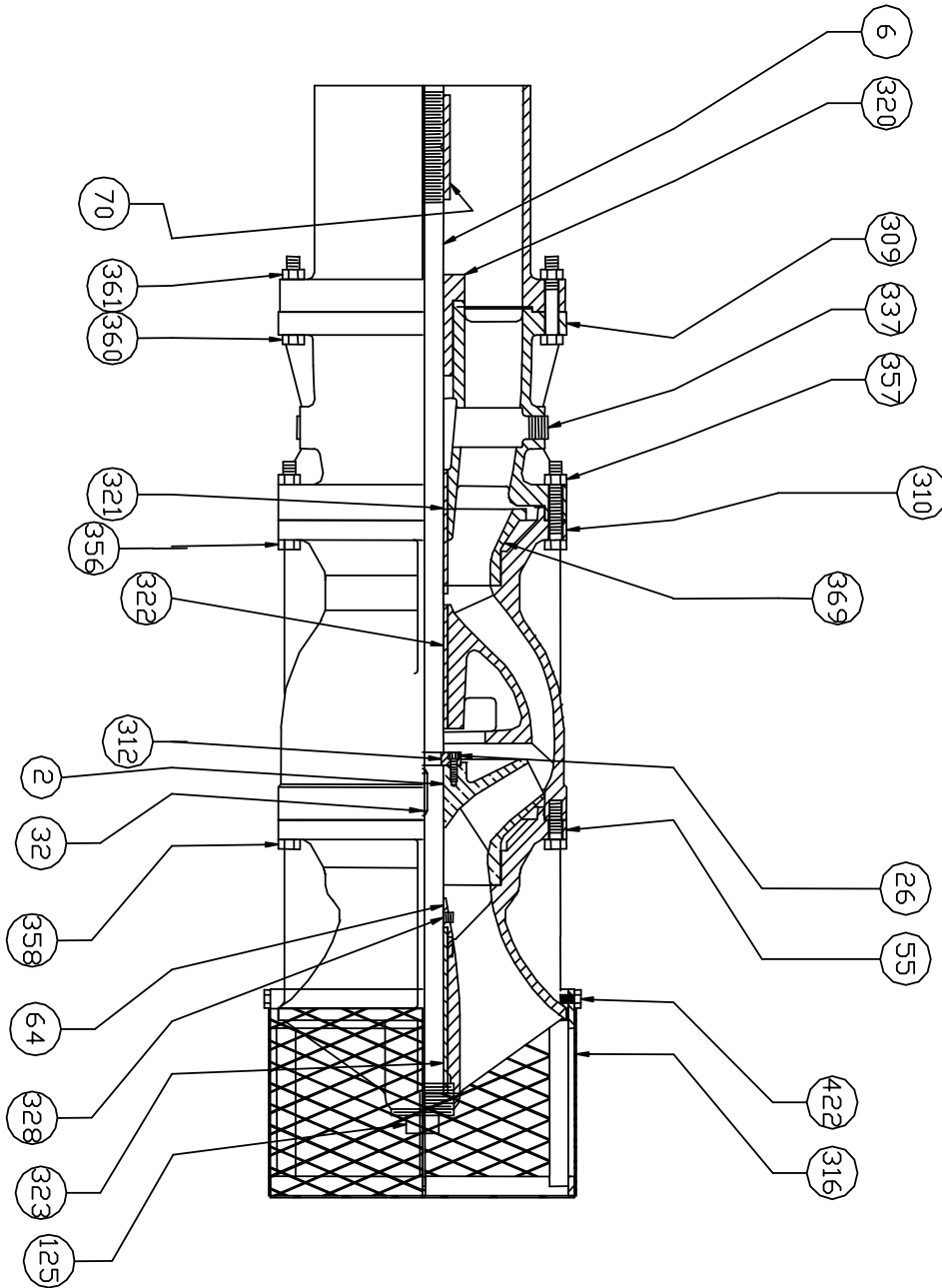


8.1.1.1 Parts list - discharge head and column assembly

Item	Description
13	Packing
17	Gland packing split
29	Ring lantern
83	Stuffing box - standard
101	Column pipe - flange
117	Bearing sleeve
131	Coupling guard - thrust bearing assembly
304	Discharge head - W
326	Stud threaded - column
326A	Stud threaded - gland
327	Nut hex - column stud
327A	Nut hex - gland stud
335	Key square - thrust bearing

345	Grease zerk
346	Slinger
347	O-ring - stuffing box
354	Threaded stud - stuffing box
355	Nut, hex - stuffing box mounting
381	Cap screw
382	Nut, hex
414	Plug - 19 mm (0.75 in.) square head
417	Cap screw - guard mounting
418	Washer- guard mounting
419	Pipe plug - 6 mm (0.25 in.) NPT relief line
424	Name plate/serial plate
425	Drive screw - serial plate
431	O-ring/head to column pipe
444	Thrust bearing assembly
476	Driver stand

8.1.2 Parts identification: bowl assembly, typical wet pit/sump type design - product lubricated VTP

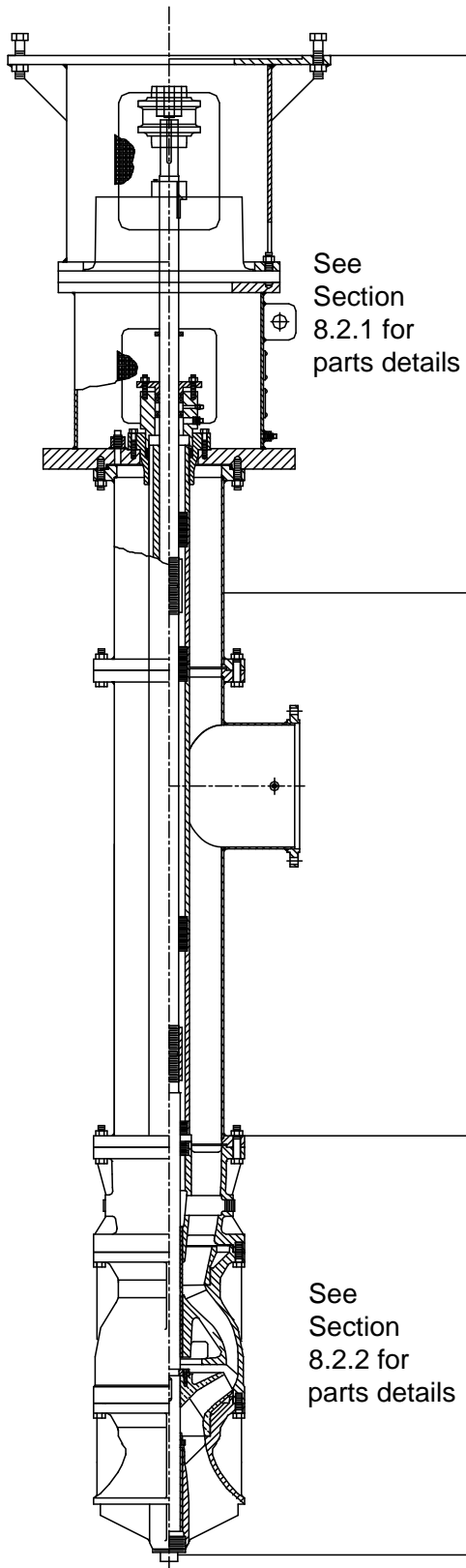


8.1.2.1 Parts list - bowl assembly

Item	Description
2	Impeller
6	Shaft - pump
26	Cap screw - socket head
32	Key - straight
55	Suction bell flanged
64	Protective collar
70	Shaft coupling - threaded
125	Plug - screw square head
309	Bowl adapter
310	Bowl
312	Trust ring - impeller
316	Suction strainer - slip on

320	Bearing - threaded - discharge case
321	Bearing - sleeve - discharge case
322	Bearing sleeve
323	Bearing - sleeve - bell
328	Screw - set
337	Plug - pipe
356	Screw - cap - hex head
357	Nut - hex
358	Screw - cap - hex head
360	Screw - cap - hex head
361	Nut - hex
369	Ring - flow
422	Screw - cap - hex head

8.2 Cross section: enclosed tube VTP

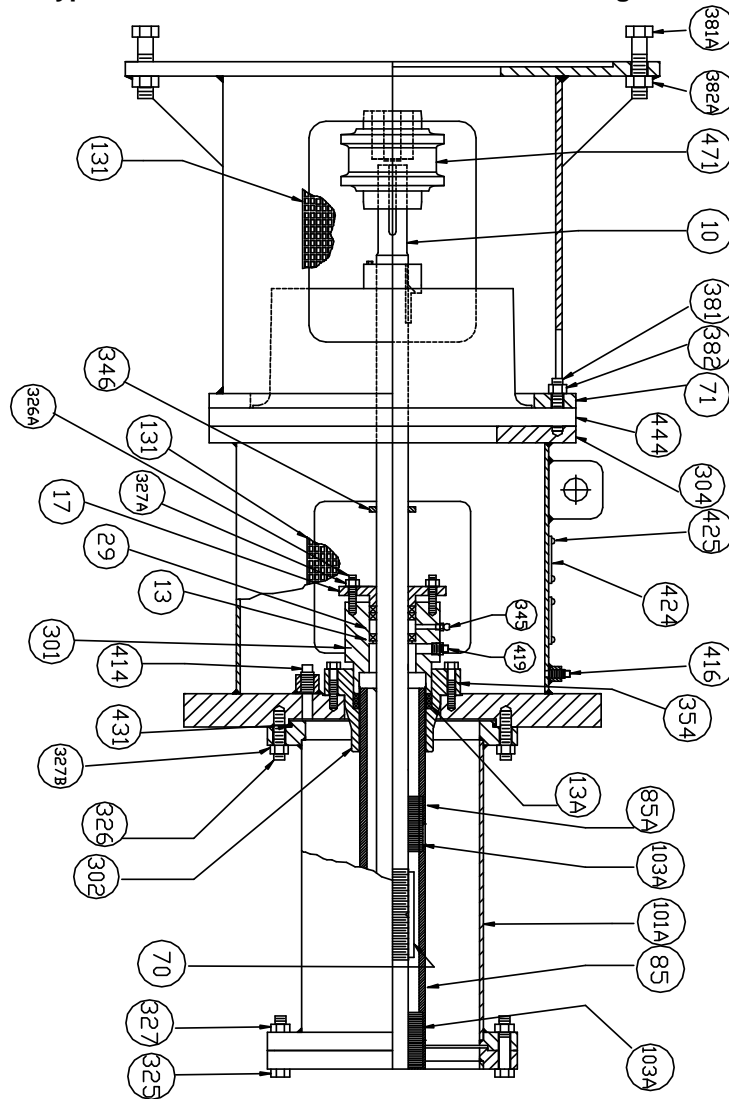


Note:

All the sectional drawings provided in this section are typical representations of the most common pump types and are provided for the purposes of basic understanding of the equipment. The details shown may not reflect the specifics of the pump that has been purchased or ordered. Specific cross sectional drawings and parts can be purchased from Flowserve separately. Contact Flowserve for ordering and pricing information on such documentation..

See sections 8.2.1 and 8.2.2 for parts details.

8.2.1 Parts identification: typical enclosed shaft VTP with thrust bearings

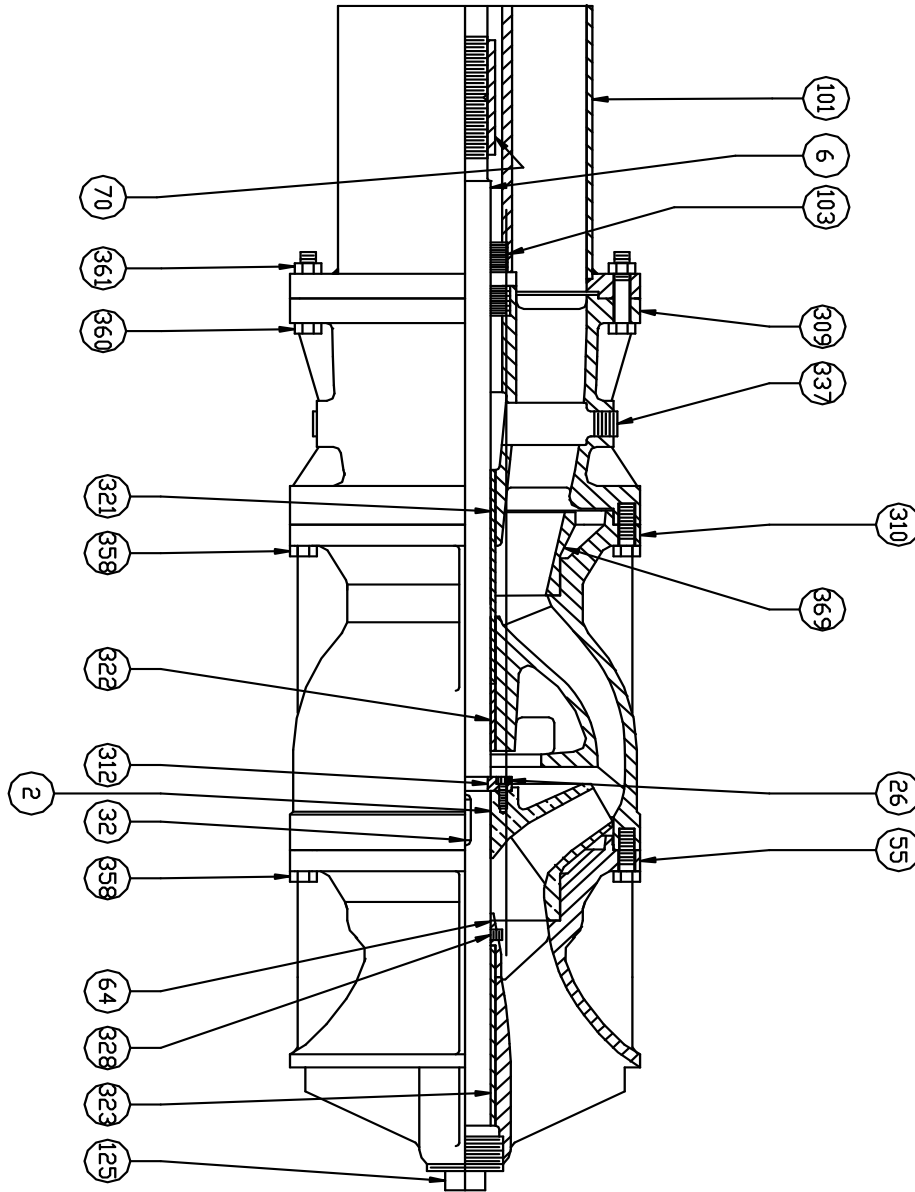


8.2.1.1 Parts list - enclosed shaft

Item	Description
10	Head shaft
13	Packing - shaft
13A	Packing - tube
17	Split gland packing
29	Lantern ring
70	Threaded shaft coupling
71	Driver stand
85	Enclosing tube
85A	Top enclosing tube
101A	Flanged column pipe
103A	Threaded bearing line shaft
131	Coupling guard
301	Nut, packing/injection tube
302	Plate - tube/tension
304	Discharge head
325	Cap screw
326	Threaded stud
326A	Threaded stud

327	Nut - hex
327A	Nut - hex
327B	Nut - hex
345	Grease zerk
346	Slinger
354	Cap screw
381	Cap screw - tension tube
381A	Threaded stud
382	Nut - hex
382A	Nut - hex
414	Plug - NPT square head
416	Plug - NPT square head
419	Plug - NPT square head
424	Serial plate/name plate
425	Drive screw - serial plate
431	O-ring
444	Thrust bearing assembly
471	Flanged coupling – Falk type

8.2.2 Parts identification: bowl and enclosing tube assembly, typical enclosed tube/oil lubricated VTP

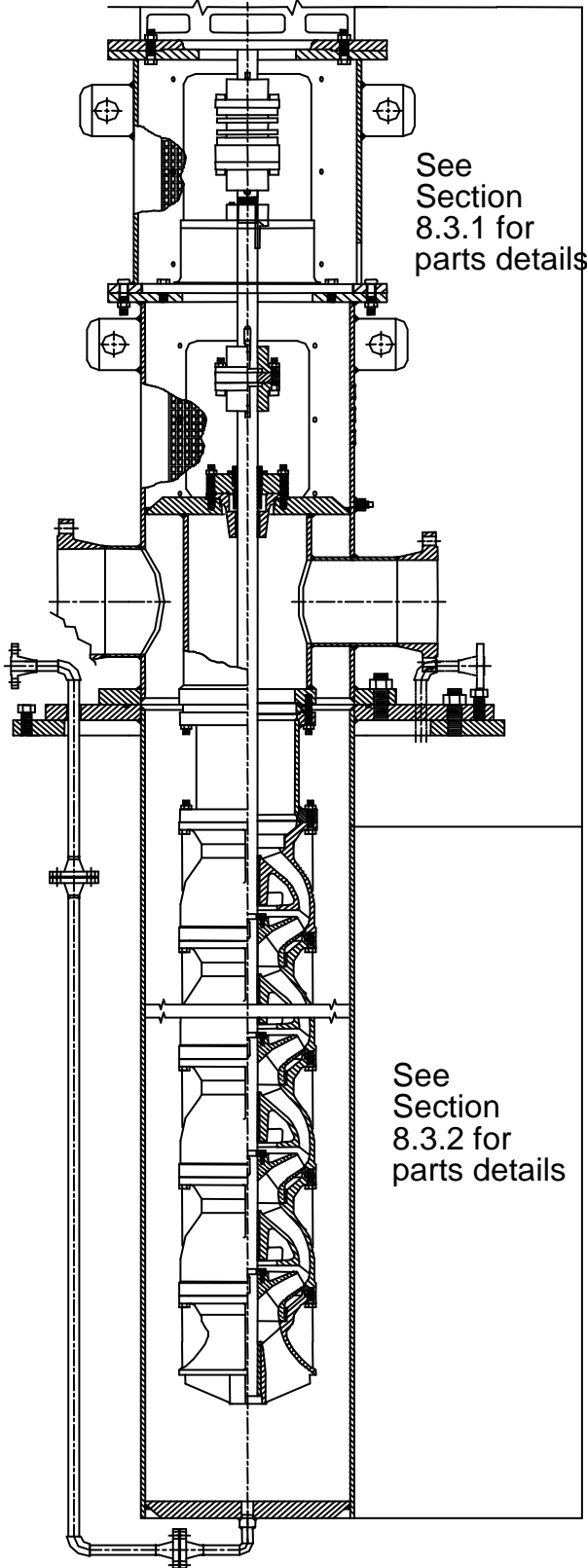


8.2.2.1 Parts list - bowl and enclosing tube assembly

Item	Description
2	Impeller
6	Shaft - pump
26	Screw - cap socket head
32	Key - straight
55	Bell - suction
64	Collar - protective
70	Threaded shaft coupling
101	Column - pipe - regular
103	Bearing - threaded - line shaft
125	Plug - grease
309	Case - discharge

310	Bowl
312	Ring - thrust - split-impeller
321	Bearing - sleeve - discharge case
322	Bearing - sleeve - bowl
323	Bearing - sleeve - bell
328	Screw - set
337	Plug - NPT
358	Cap screw - hex head - suction bell
360	Cap screw - hex head - column to bowl
361	Nut - hex
369	Ring - flow

8.3 Cross section: Suction barrel VTP

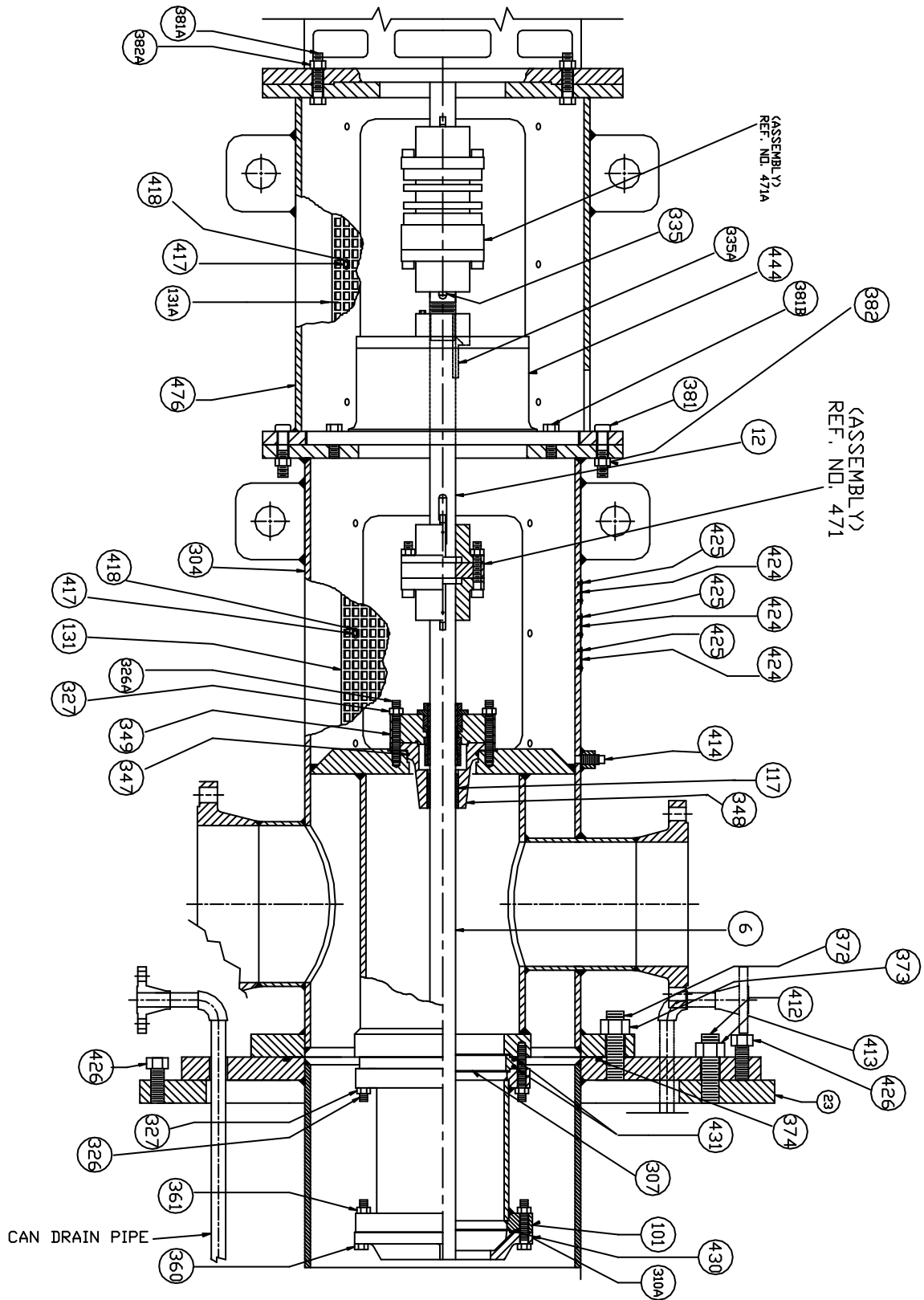


See sections 8.3.1 and 8.3.2 for parts details.

Note:

All the sectional drawings provided in this section are typical representations of the most common pump types and are provided for the purposes of basic understanding of the equipment. The details shown may not reflect the specifics of the pump that has been purchased or ordered. Specific cross sectional drawings and parts can be purchased from Flowserve separately. Contact Flowserve for ordering and pricing information on such documentation.

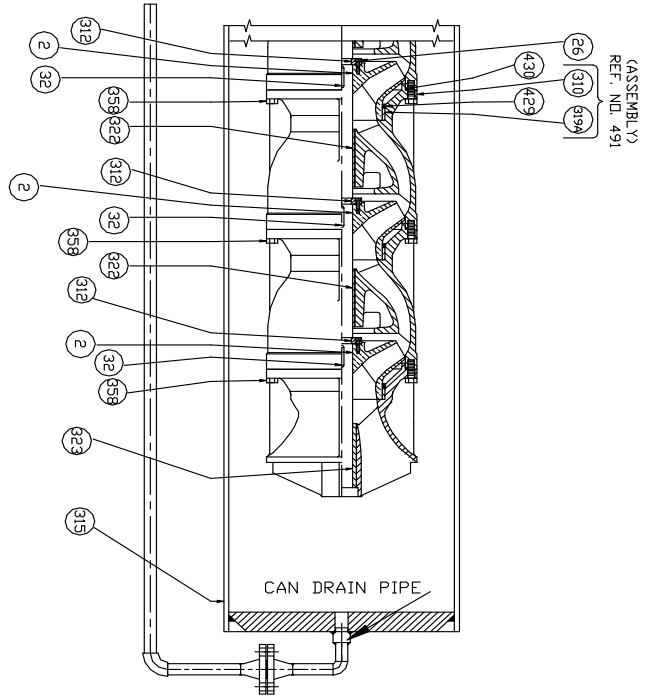
8.3.1 Parts identification: discharge head/column/suction barrel, typical product lubricated VTP with a suction barrel



8.3.1.1 Parts list - discharge head/column/suction barrel

Item	Description
6	Pump shaft
12	Top shaft
23	Plate - sole
101	Column - pipe-flanged
117	Bearing - sleeve
131	Guard - coupling
131A	Guard - thrust bearings
304	Head - discharge
307	Alignment ring
310A	Bowl
326	Stud - threaded
326A	Stud - threaded
327	Nut - hex
335	Key - coupling
335A	Square key - thrust bearing
347	O-ring - stuffing box
348	Seal chamber
349	Seal - mechanical
360	Cap screw - column pipe
361	Nut - hex - column pipe
372	Stud-threaded
373	Nut-hex
374	O-ring - barrel to discharge head
381	Cap screw - motor
381A	Cap screw - motor
381B	Cap screw - thrust bearing mount
382	Nut - hex
382A	Nut - hex - motor
412	Stud - threaded
413	Nut - hex
414	Plug - NPT
417	Screw - cap - hex head
418	Washer - guard mounting
424	Display nameplate - Flowserve
425	Drive screw for serial plate
426	Set screw
430	O-ring
431	O-ring
444	Thrust bearing assembly
471	Coupling assembly
471A	Coupling - motor to top shaft
476	Driver stand

8.3.2 Parts identification: column and bowl assembly, typical product lubricated VTP with the suction barrel



8.3.2.1 Parts list - column and bowl assembly

Item	Description
2	Impeller
26	Screw - cap - socket head
32	Key - straight
310	Bowl
312	Ring - thrust - split-impeller
315	Barrel
319A	Wearing ring
322	Bearing - sleeve - bowl
323	Bearing - sleeve - bell
326	Stud - threaded
358	Cap screw
429	Pin - roll
430	O-ring
491	Assembly - bowl

8.4 Bill of materials reference numbers

Ref. #	Current system description	Ref. #	Flowserve global description	Ref. #	Hydraulic institute 2000 description
2	Impeller	2200	Impeller	2	Impeller/propeller
2	Impeller	2210	Impeller, suction stage	2	Impeller/propeller
6	Shaft pump	2110	Pump shaft	6	Shaft, pump
8	Ring wear impeller	2300	Impeller wear ring	8	Ring, impeller
10	Shaft head	2130	Top shaft/head shaft	10	Shaft, head
12	Shaft line	2120	Intermediate shaft, drive shaft	12	Shaft, line
12	Shaft top (12A)	2130	Top shaft/head shaft	12	Shaft, line
13	Packing	4130	Packing	13	Packing
14	Sleeve lineshaft	3400	Bearing sleeve		
17	Gland packing split	4120	Stuffing box gland	17	Gland
23	Plate base	6110	Base plate	129	Sole plate
24	Nut collet				
26	Screw cap socket/head f/imp. thrust ring	6579.#	Socket head cap screw		
29	Ring lantern	4134	Lantern ring	29	Ring, lantern
32	Key impeller	6700.#	Key	32	Key, impeller
39	Bearing sleeve f/tube nut	4132	Stuffing box bushing	39	Bushing, bearing
39	Bearing sleeve lineshaft	3300.#	Bearing, bushing	39	Bushing, bearing
42	Coupling half driver	7200.1	Coupling half (driver)	42	Coupling half, driver
44	Coupling half driven	7200.2	Coupling half (driven)	44	Coupling half, pump
46	Key assembly driven coupling half	6700.#	Key	46	Key, coupling
46	Key driver coupling half	6700.#	Key		
55	Bell suction	1310	Suction bell	55	Bell, suction
64	Collar protective	2922	Sand guard protection collar	64	Collar, protecting
66	Nut adjusting	2909	Adjusting nut	66	Nut, shaft, adjusting
66	Nut head shaft	2909	Adjusting nut	66	Nut, shaft, adjusting
70	Coupling shaft (threaded)	7119	Screwed coupling	70	Coupling, shaft
70	Coupling shaft (keyed)	7020	Shaft coupling	70	Coupling, shaft
71	Stand driver	3160	Driver pedestal		
73	Gasket top column	4590.#	Gasket		
73	O-ring top column (73A)	4610.#	O-ring		
77	Tank oil	3800	Lubricator	77	Lubricator
79	Bracket oil tank	3831	Lubricator bracket		
83	Box stuffing	4110	Stuffing box housing	83	Box, stuffing
85	Tube enclosing	1917.#	Shaft enclosing tube	85	Tube, shaft enclosing
89	O-ring f/oil lube discharge case	4610.#	O-ring		
89	Seal oil	4305	Shaft seal ring		
99	Housing bearing threaded lineshaft	3240	Bearing carrier		
101	Column pipe	1350	Column pipe	101	Pipe, column
103	Bearing threaded lineshaft	3050.#	Connector bearing	103	Bearing, line shaft, enclosing
117	Bearing sleeve throttle/bushing	4132	Stuffing box bushing	63	Bushing, stuffing box
125	Plug pipe grease plug	6578.#	Threaded plug		
131	Guard coupling	7450	Coupling guard		
171	Bushing auxiliary throttle	4140	Auxiliary seal		
191	Coupling column threaded	6850	Pipe coupling	191	Coupling, column pipe
301	Nut enclosing tube	4110	Stuffing box housing		
301	Nut packing injection/lube	4110	Stuffing box housing		
302	Plate tube tension	1220	Cover	185	Plate, tube, tension
304	Head discharge	1370	Discharge head	187	Head, surface discharge
304	Plate surface	1370	Discharge head	105	Elbow, discharge
305	Flange top column			189	Flange, top column
306	Coupling column threaded	6850	Pipe coupling	191	Coupling, column pipe

Ref. #	Current system description	Ref. #	Flowserve global description	Ref. #	Hydraulic institute 2000 description
	(duplicate to 191)				
307	Retainer bearing	3250	Bearing support	193	Retainer, bearing, open line shaft
308	Tube enclosing top	1917.#	Shaft enclosing tube		
309	Case discharge	1140	Discharge casing	197	Case, discharge
309	Spool discharge	1140	Discharge casing		
310	Bowl	1170.1	Pump bowl	199	Bowl, intermediate
311	Collet drive	2484	Clamping ring impeller bushing	84	Collet, impeller lock
311	Collet threaded				
312	Ring thrust split coupling	7410	Coupling ring	86	Ring, thrust, split
312	Ring thrust split coupling clamp (312B)	2531	Split retaining ring		
312	Ring thrust split impeller	2520	Loose (shaft) collar shoulder ring	82	Ring, thrust, retainer
313	Case suction	1130	Suction casing	203	Case, suction
314	Spacer flanged			88	Spacer, coupling
315	Barrel	1100	Casing	205	Barrel or can, suction
316	Strainer suction	6531	Suction strainer	209	Strainer
319	Ring wear bowl	1500	Casing wear ring	213	Ring, bowl
320	Bearing threaded discharge case	3050.#	Connector bearing	103	Bearing, line shaft, enclosing
321	Bearing sleeve discharge case	3300.#	Bearing, bushing	39	Bushing, bearing
322	Bearing sleeve bowl	3300.#	Bearing, bushing	39	Bushing, bearing
323	Bearing sleeve suction	3300.#	Bearing, bushing	39	Bushing, bearing
325	Screw cap hex/head column to column	6570.#	Screw		
326	Screw cap hex/head column to head	6570.#	Screw		
326	Stud threaded column to head	6572.#	Stud		
326	Stud threaded packing gland	6572.#	Stud		
326	Stud threaded seal housing	6572.#	Stud		
327	Nut hex column to column	6581.#	Hexagon nut		
327	Nut hex column to head	6581.#	Hexagon nut		
327	Nut hex packing gland	6581.#	Hexagon nut		
327	Nut hex seal housing	6581.#	Hexagon nut		
328	Screw set protective collar	6814.#	Grub screw		
328	Screw set stuffing box sleeve	6814.#	Grub screw		
330	Liner tube stabilizer				
334	Screw lock adjusting nut	6570.#	Screw		
335	Key gib	6700.#	Key		
336	Stand driver f/m head				
337	Plug pipe hex/socket f/discharge case	6578.#	Threaded plug		
340	Housing packing				
341	Valve shut/off f/tank oiler assy.				
342	Regulator sight feed f/tank oiler assy.				
343	Elbow vent f/enclosing tube nut				
344	Lubrication line w/fittings f/tank oiler assy.				
345	Grease zerk stuffing box	3853	Grease nipple		
346	Slinger	2540	Oil flinger/oil deflector	40	Deflector
347	O-ring stuffing box/throttle bush. hsg.	4610.#	O-ring		
348	Housing throttle/bushing	4210	Mechanical seal housing	83	Box, stuffing
349	Housing seal	4212	Seal plate	83	Box, stuffing
350	Stabilizer tube				
351	Screw cap hex/head driver adapter	6570.#	Screw		
352	Screw cap hex/head driver stand	6570.#	Screw		

Ref. #	Current system description	Ref. #	Flowserve global description	Ref. #	Hydraulic institute 2000 description
353	Nut hex driver stand	6581.#	Hexagon nut		
354	Stud threaded throttle bushing housing	6572.#	Stud		
355	Nut hex throttle bushing housing	6581.#	Hexagon nut		
356	Screw cap hex/head bowl to discharge case	6570.#	Screw		
357	Nut hex bowl to discharge case	6581.#	Hexagon nut		
358	Screw cap hex/head bowl to bowl	6570.#	Screw		
359	Pin lock threaded/bowl	2923.#	Pin		
360	Screw cap hex/head column to discharge case	6570.#	Screw		
361	Nut hex column to discharge case	6581.#	Hexagon nut		
363	Nut hex flanged coupling	6581.#	Hexagon nut		
364	Screw cap socket/head flanged coupling	6579.#	Socket head cap screw		
366	Screw set lineshaft sleeve	6814.#	Grub screw		
369	Ring flow				
370	Sleeve stuffing box	2450	Shaft sleeve		
371	O-ring stuffing box sleeve	4610.#	O-ring		
372	Stud threaded barrel	6572.#	Stud		
373	Nut hex barrel	6581.#	Hexagon nut		
374	O-ring barrel	4610.#	O-ring		
377	Gasket suction f/adaptor column	4590.#	Gasket		
378	Gasket discharge	4590.#	Gasket		
379	Screw cap hex/head discharge	6570.#	Screw		
380	Nut hex discharge	6581.#	Hexagon nut		
381	Screw cap hex/head motor	6570.#	Screw		
382	Nut hex motor	6581.#	Hexagon nut		
383	Cap lubricator tank				
384	Band lubricator tank				
385	Bolt stove f/tank oiler assy.				
386	Nut hex f/tank oiler assy.	6581.#	Hexagon nut		
387	Lubrication line f/tank oiler assy.	3840	Lubrication line		
388	Fitting compression elbow f/tank oiler assy.				
389	Fitting compression straight f/tank oiler assy.				
390	Bearing assembly (ag)				
392	Nipple pipe pre-lube				
393	Valve gate pre-lube				
394	Pin lifting f/head	2923.#	Pin		
395	Ring retaining f/head				
396	Clip safety f/tube nut				
397	Screw cap hex/head tube nut	6570.#	Screw		
399	Adapter column flanged to flanged	1140	Discharge casing		
400	Screw cap hex/head adapter column	6570.#	Screw		
401	Nut hex adapter column	6581.#	Hexagon nut		
402	Bearing rubber cutless discharge case	3300.#	Bearing, bushing		
403	Adapter column flanged to threaded	1140	Discharge casing		
405	O-ring ingerseal	4610.#	O-ring		
409	Adapter driver f/m head				
412	Stud threaded base plate	6572.#	Stud		
413	Nut hex base plate	6581.#	Hexagon nut		
414	Plug pipe head pre-lube	6578.#	Threaded plug		

Ref. #	Current system description	Ref. #	Flowserve global description	Ref. #	Hydraulic institute 2000 description
415	Plug pipe head inspection hole	6578.#	Threaded plug		
416	Plug pipe head pressure tap	6578.#	Threaded plug		
417	Screw cap hex/head coupling guard	6570.#	Screw		
418	Washer flat coupling guard				
419	Plug pipe stuffing box relief line	6578.#	Threaded plug		
420	Washer flat column				
421	Clip strainer				
422	Screw cap hex/head strainer	6570.#	Screw		
422	Screw mach submersible strainer	6570.#	Screw		
424	Plate serial				
425	Screw drive	6570.#	Screw		
426	Jackscrew bowl to bowl	6575.#	Jack screw		
427	Jackscrew discharge case to column	6575.#	Jack screw		
428	Pin impeller wear ring	2923.#	Pin		
429	Pin bowl wear ring	2923.#	Pin		
430	O-ring bowl	4610.#	O-ring		
431	O-ring column	4610.#	O-ring		
432	O-ring f/oil lube discharge case	4610.#	O-ring		
433	Key keyed/coupling	6700.#	Key		
434	Ring retaining keyed/coupling	2530	Retaining ring		
435	Stud thrust keyed/coupling	6572.#	Stud		
436	O-ring reinforcing tube to suction case	4610.#	O-ring		
437	Tube reinforcing				
438	O-ring reinforcing tube	4610.#	O-ring		
439	Ring reinforcing				
440	O-ring top injection tube to housing	4610.#	O-ring		
441	Coupling column threaded f/suction	6850	Pipe coupling		
442	Housing bearing stand				
443	Retainer oil				
444	Bearing ball	3010	Anti-friction bearing		
445	Spacer bearing				
446	Bearing ball top				
447	Stem bearing				
448	Pin non-reverse f/4b-100 & 100				
449	Spring compression f/4b-100				
450	Cap bearing stem				
451	Plate lube instructions				
452	Screw drive lube instruction plate	6570.#	Screw		
453	Nipple pipe level indicator				
454	Tee pipe level indicator				
455	Plug pipe level indicator	6578.#	Threaded plug		
456	Gauge oil level				
457	Cap pipe level indicator				
458	Guard bearing stand				
459	Sleeve seal	2445	Shaft sleeve		
460	Seal mechanical	4200	Mechanical seal	65/80	Seal, mech. stationary/rotating elements
461	Collar drive				
462	Guard cable f/submersible	8361	Cable guard		
463	Plug upthrust (submersible)				
464	Screw set upthrust plug	6814.#	Grub screw		
465	Stud threaded submersible dr. adapter to suct. case	6572.#	Stud		

Ref. #	Current system description	Ref. #	Flowserve global description	Ref. #	Hydraulic institute 2000 description
466	Nut hex submersible dr. Adapter to suct. case	6581.#	Hexagon nut		
467	Coupling motor submersible	7010	Drive coupling	70	Coupling, shaft
468	Key submersible motor coupling	6700.#	Key		
469	Jackscrew motor	6575.#	Jack screw		
470	Washer flat tail water strainer				
471	Coupling flanged assembly	7113	Rigid coupling		
472	Cone diffusion				
473	Jackscrew stuffing box	6575.#	Jack screw		
474	Clamp coupling guard				
475	Valve check f/submersible	6301	Non-return valve		
476	Thrust stand driver/stand	3160	Driver pedestal		
477	Thrust stand coupling flg flexible	7112	Flexible coupling		
478	Thrust stand cap upper	3260.2	Bearing cover		
479	Thrust stand screw cap hex/hd upper/cap	6570.#	Screw		
480	Thrust stand grease zerk cap	3853	Grease nipple		
481	Thrust stand fitng pipe plug upper/cap	6578.#	Threaded plug		
482	Thrust stand oil/sleeve or thrust/sleeve	2470	Centring sleeve		
483	Thrust stand cap lower	3260.1	Bearing cover		
484	Thrust stand screw cap hex/hd lower/cap	6570.#	Screw		
485	Thrust stand fitng pipe plug lower/cap	6578.#	Threaded plug		
487	Thrust stand key driver	6700.#	Key		
488	Thrust stand key pump shaft	6700.#	Key		
489	Thrust stand key thrust sleeve	6700.#	Key		
490	Ring retaining teflon bearings				
491	Bowl w/wr	1170.2	Pump bowl	199	Bowl, intermediate
492	Impeller w/wr	2200	Impeller	2	Impeller / propeller
493	Bell suction w/wr & case suction w/wr	1310/1130	Suction bell / suction casing	55	Bell, suction
494	Stud threaded bowl to bowl/bell	6572.#	Stud		
495	Nut hex bowl to bowl/bell	6581.#	Hexagon nut		
496	Thrust stand vent plug	6521	Vent plug		
497	Thrust stand sight glass	8221	Sight glass		
498	Thrust stand fitng pipe plug	6578.#	Threaded plug		
499	Thrust stand fitng pipe plug bush redcr	6578.#	Threaded plug		
500	Thrust stand bearing housing	3200	Bearing housing		
501	Thrust stand O-ring f/bearing housing	4610.#	O-ring		
502	Thrust stand screw cap hex/hd dr/stand to brg/hsg	6570.#	Screw		
503	Thrust stand fitng pipe plug hex/sckt flush seal side	6578.#	Threaded plug		
504	Thrust stand fitng pipe plug hex/sckt flush seal top	6578.#	Threaded plug		
505	Thrust stand bearing spindle	2471	Bearing adapter sleeve		
506	Thrust stand lockwasher	6541	Lock washer		
507	Thrust stand locknut	6580	Nut		
508	Thrust stand oil impeller	4223	Pumping ring		
509	Thrust stand O-ring f/bearing housing cap	4610.#	O-ring		
510	Thrust stand seal labyrinth	4305	Shaft seal ring		
511	Thrust stand screw cap sockt/hd adjusting nut	6579.#	Socket head cap screw		

8.5 General arrangement drawing

The typical general arrangement drawing and any specific drawings required by the contract will be sent to the purchaser separately unless the contract specifically calls for these to be included into the User Instructions. If these drawings are supplied separately, the purchaser should retain those with the User Instructions.

9 CERTIFICATION

Certificates determined from the Contract requirements are provided with these instructions where applicable. Examples are certificates for CE marking and ATEX markings etc. If required, copies of other certificates sent separately to the Purchaser to be retained along with these User instructions.

10 OTHER RELEVANT DOCUMENTS AND MANUALS

10.1 Supplementary User Instructions

Supplementary instructions for equipment and sub-assemblies such as for driver, instrumentation, controls, seals, couplings and thrust bearing assemblies are always provided as separate documents in their original format as supplied by the respective supplier. All these documents have to be retained with this User Instructions book and for all questions on supplementary User Instructions contact Flowserve.

10.2 Change notes

If any changes, agreed with Flowserve Pump Division, are made to the product after its supply, a record of the details should be maintained with these User Instructions.

10.3 Order specific documents

The pump you have purchased may have been built with specific design requirements and special features and combinations. Please refer to additional order specific User Instructions, sectional drawings, and paperwork provided with the pump.



Your Flowserve factory contact:

Flowserve Pump Division
5310 Taneytown Pike
PO Box 91
Taneytown
MD 21787-0091, USA

Telephone +1 (410) 756 2602
Customer Service Fax: +1 (410) 756 2615
Parts inquiry/Order PH: +1 (800) 526 3569

Flowserve Spain S.L.
Avenida Fuentemar 26-28
Coslada, Madrid, Spain 28023
Telephone +34 91 660 4600
Fax +34 91 674 0433

Flowserve Pumps
Flowserve GB Limited
Lowfield Works, Balderton
Newark, Notts NG24 3BU
United Kingdom

Telephone (24 hours) +44 1636 494 600
Sales & Admin Fax +44 1636 705 991
Repair & Service Fax +44 1636 494 833
Email newarksales@flowserve.com

Your local Flowserve representative:

To find your local Flowserve representative please use the Sales Support Locator System found at www.flowserve.com

FLOWSERVE REGIONAL SALES OFFICES:

USA and Canada

Flowserve Corporation
5215 North O'Connor Blvd.,
Suite 2300
Irving, Texas 75039-5421, USA
Telephone +1 972 443 6500
Fax +1 972 443 6800

Europe, Middle East, Africa

Flowserve Worthington S.r.l.
Via Rossini 90/92
20033 Desio (Milan), Italy
Telephone +39 0362 6121
Fax +39 0362 303 396

Latin America and Caribbean

Flowserve Corporation
6840 Wynnwood Lane
Houston, Texas 77008, USA
Telephone +1 713 803 4434
Fax +1 713 803 4497

Asia Pacific

Flowserve Pte. Ltd
10 Tuas Loop
Singapore 637345
Telephone +65 6771 0600
Fax +65 6862 2329