

AWWA
C540-93

CSA
C 201383 US
TYPE 4, 4X

WE Series Weatherproof
CSA Approved TYPE 4 & 4X IP67



KE Series
Weatherproof IP67

XE Series Explosion Proof
ATEX/IECEx Certified
Ex d IIB T4 Gb
IP67



XC Series
CSA Explosion Proof
CSA Approved TYPE 4, 4X, 6 & 7, IP67

Ex **IECEx**
ATEX II 2 G
Ex d IIB T4 Gb

CSA
C 258948 US
TYPE 4, 4X, 6 & 7

WE-350

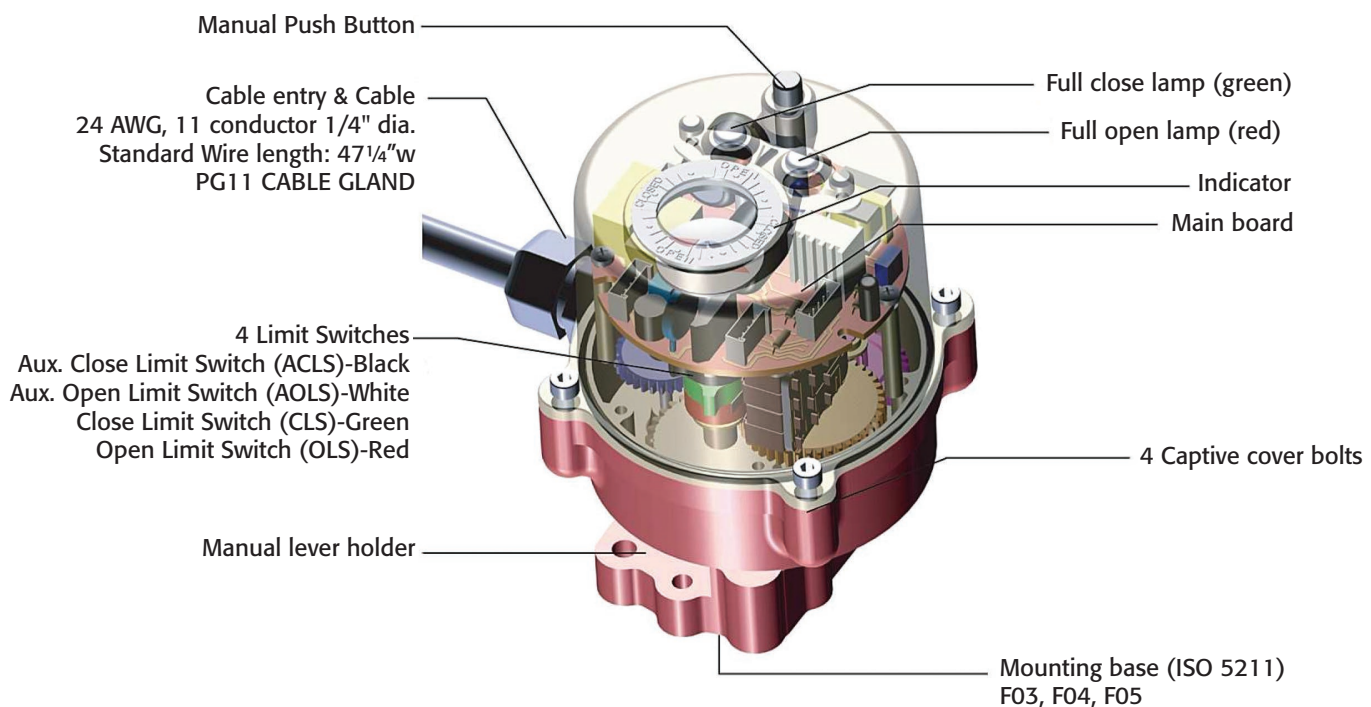
The WE-350 Electric Actuator is specifically designed to operate small size ball valves (1" and less), dampers and other quarter-turn devices.

Features

- Compact and light weight
- High resistance to corrosion due to hard anodizing on inside and outside with polyester powder coating on external surface
- Multi-voltage (85-265VAC/1PH, 24VDC)
- Standard space heater (0.5W)
- Weather proof (IP67)
- Push Button and Manual lever
- Wide, easy mounting base standard to ISO 5211 (F03/F04/F05)
- (2) Operational & (2) Auxillary, Open / Close, SPDT, 6A 125/250VAC
- Captive cover bolts
- Mechanical position indicator & LED lamp indicators (Open/Close)



Construction



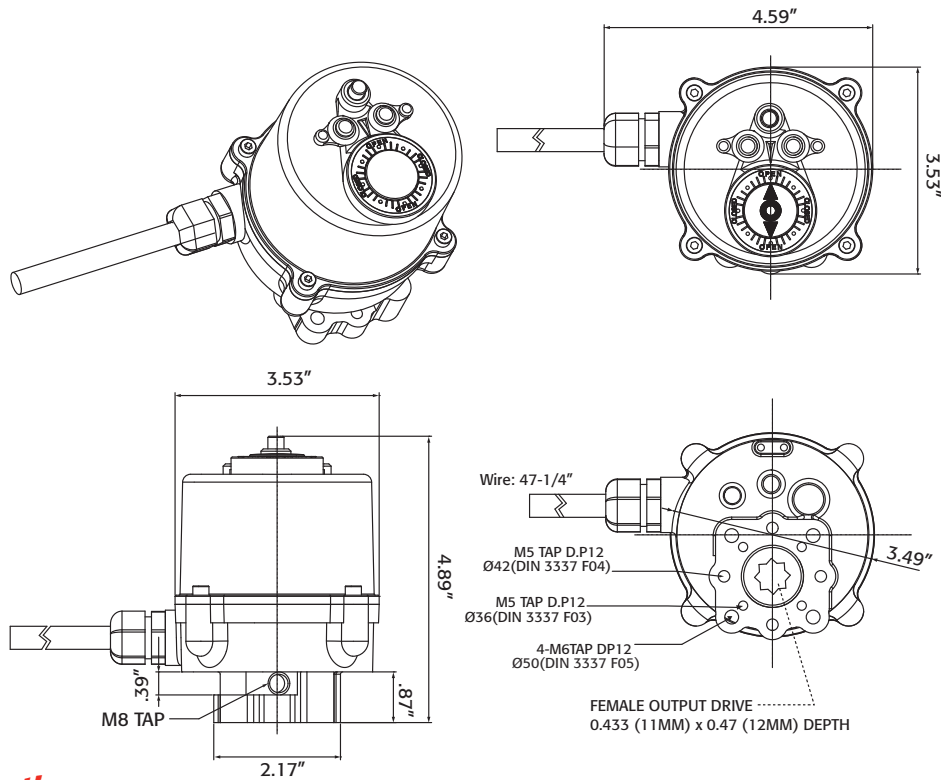
WE-350

ELECTRIC ACTUATORS

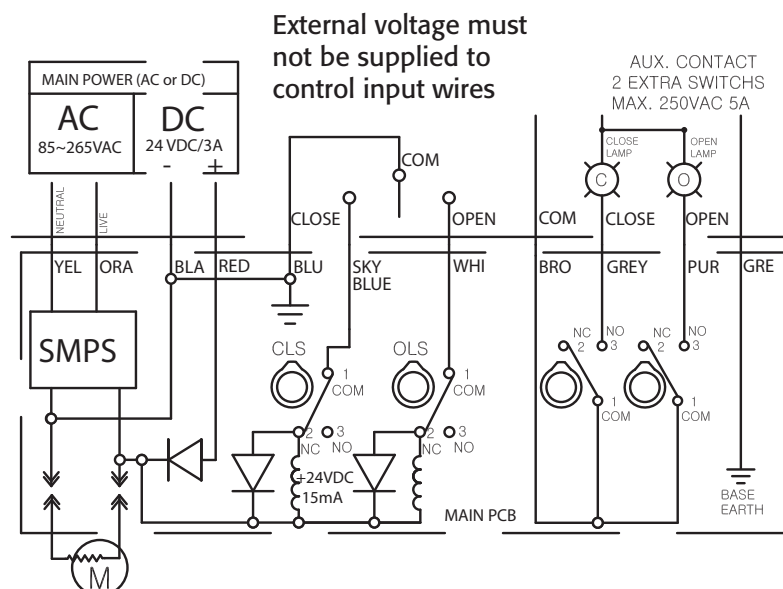
Performance

Type (Model)	Maximum Output Torque	Operating Time 60/50 Hz	Mounting Size	Supply Power & Rated Current (A) 60/50Hz, 1 Phase			Duty Cycle IEC34-1	Manual Lever Angle	Weight
	In-Lbs.	90°		110VAC	220VAC	24VDC			S4
WE-350	354	12 sec.	F03/F04/F05	.12	.06	.46	70%	90°	2.65
WE-350HS	270	6.5 sec.		.065	.033	.25			

Dimensions



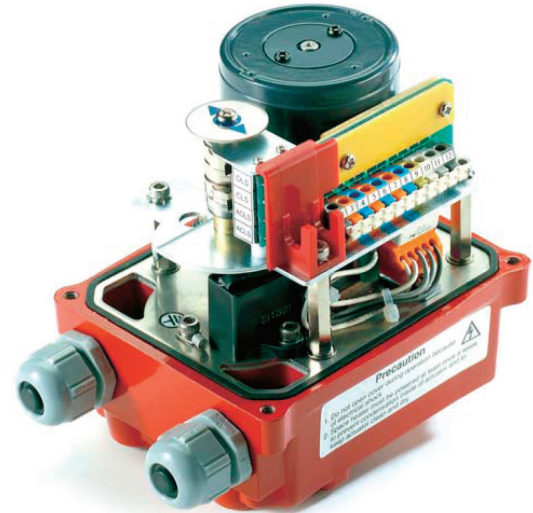
Wiring Connection



WE/XE Series

WE/XE-500

The WE-500 and XE-500 Electric Actuators have a compact design ideal for use with small ball valves (2" and less), and other quarter-turn devices. Each actuator includes a visual indicator, two auxiliary switches and a compartment heater. A convenient wrench manual override shaft is standard. This actuator is the clear choice when a compact, efficient electric actuator is required!



Standard Features

- Compact and light due to high grade aluminum alloy housing.
- High resistance to corrosion due to hard anodizing on inside and outside with polyester powder coating on external surface
- Output torque: 530 In-lbs.
- Reversible, high torque and low current motor
- Enclosure: Weatherproof (IP67, Type 4, 4X) or Explosion Proof (ATEX/IECEX Ex d IIB T4)
- Captive cover bolts
- Terminal block (11P)

Standard Specifications

Enclosure	Weatherproof (IP67, Type 4, 4X) or Explosion Proof (ATEX/IECEX Ex d IIB T4)
Power Supply	110/220V AC 1PH, 50/60Hz, ± 10%, 24V AC/DC
Duty cycle	IEC60034-1 S4, 70%, 1200 starts per hour (50% max torque at 25°C/77°F)
Motor	Class F Reversible motor
Limit switches	(2) Operational & (2) Auxillary, Open / Close, SPDT, 6A 125/250VAC
Space heater	2W Anti-condensation
Manual override	Drive Nut (4mm hex)
Cable conduit	Two 1/2" NPT
Movement angle	320° ± 10°
Ambient temperature	-4°F - 158°F (optional -40°F Low Temp Kit)
External coating	Polyester powder coating
Mounting	ISO 5211 (F03/F05/F07)

Performance

Type (Model)	Maximum Output Torque In-Lbs.	Operating Time 60/50 Hz 90°	Motor Size Watts	Full Load Amps			Locked Rotor Amps			Duty Cycle IEC 34-1 S4	Number of Handle Turns N	Weight Lbs.
				AC 1PH. 50/60Hz		AC/DC	AC 1PH. 50/60Hz		AC/DC			
				110V	220V	24V	110V	220V	24V			
WE-500	530	12/14	10	0.4	0.2	1.4	0.5	0.25	2.5	70%	8	6.61
XE-500				9.90								

Optional Configurations

Position Indication Unit (Potentiometer kit)

High resolution potentiometer with precisely machined gearing directly engaged with drive shaft provides continuous monitoring of position of valve and actuator.



AC/DC 24V Control Unit

Dip Switch

Mode	1	2
DC	ON	OFF
AC	OFF	ON

(setting shown here applies to WE/XE-500A only)



TMC4 Electronic Control Card

- For WE Series only; See details on page 16

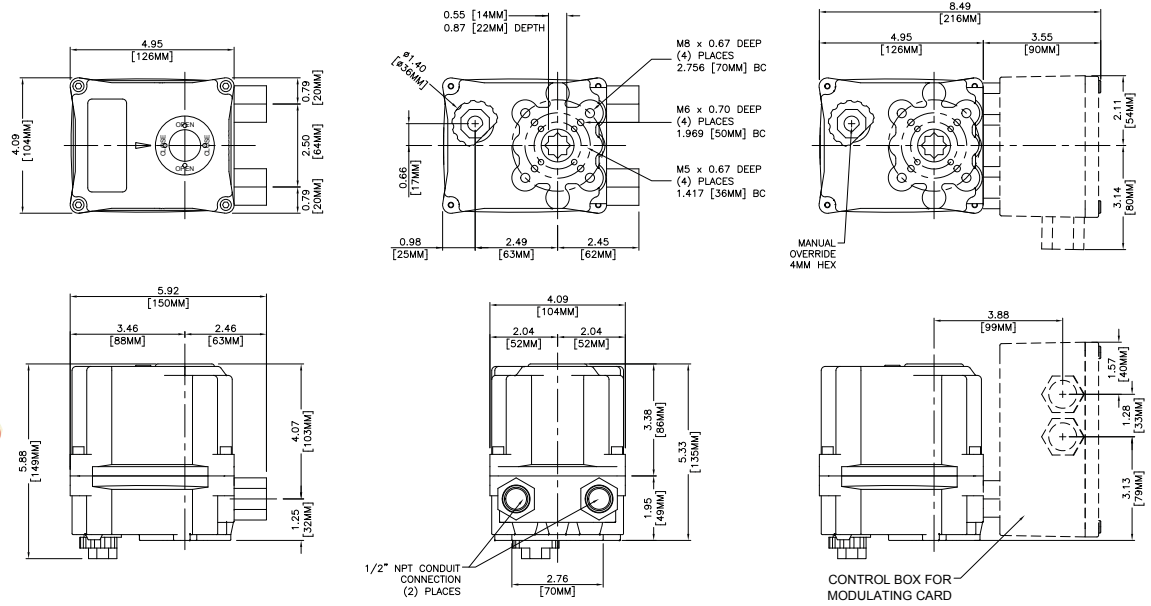
WE/XE-500

ELECTRIC ACTUATORS

Dimensions

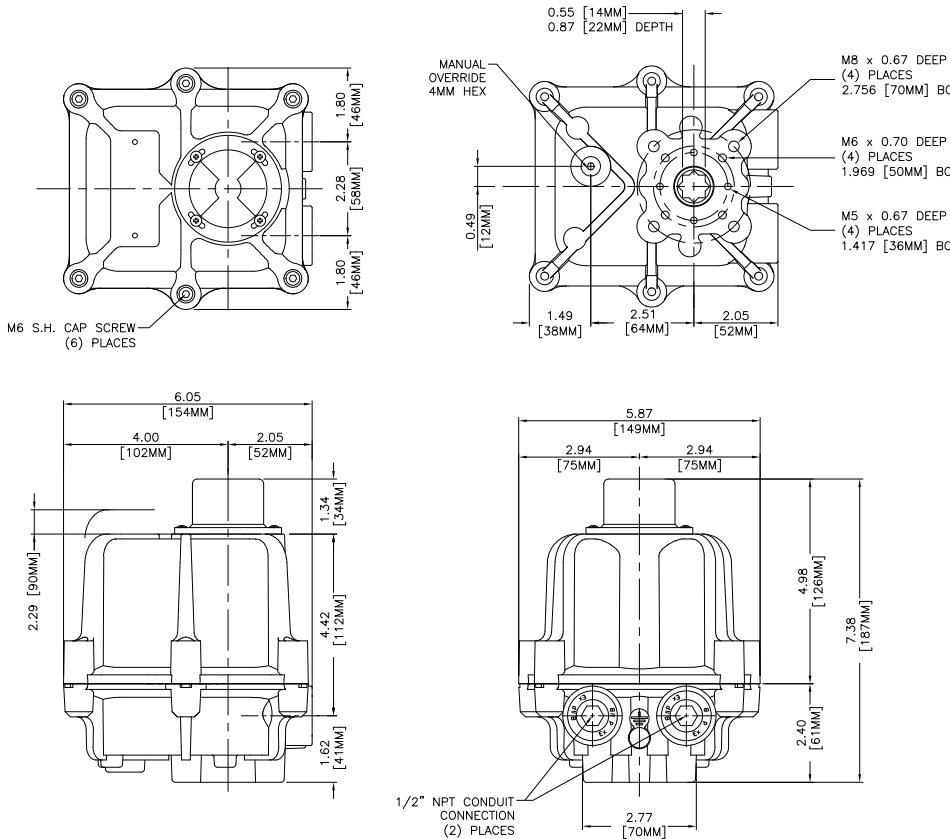
WE-500

CSA Approved,
Type 4 & 4X IP67



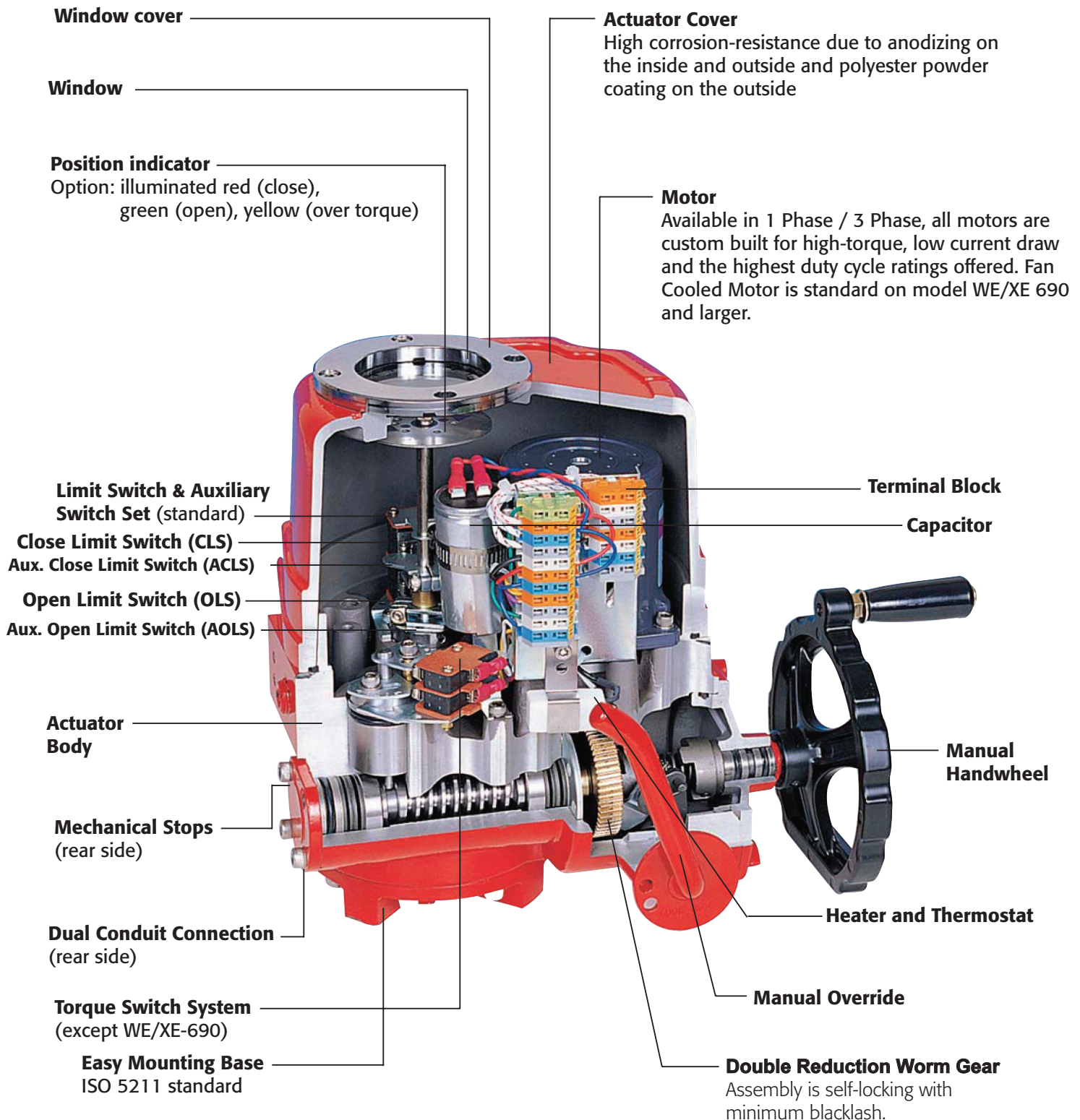
XE-500

ATEX/IECEx Ex d IIB T4 Gb, IP67



WE/XE Series

Electric Actuators WE/XE Features



WE/XE Series

ELECTRIC ACTUATORS

WE/XE-690 thru WE/XE-25900



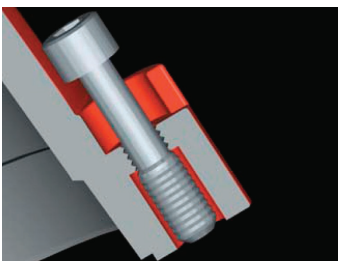
Terminal block

- Extra terminals for customer's convenience
- Spring Loaded Terminal Strip provides secure connection



Heater

- Ceramic housing with thermostat to eliminate condensation (5-10 watt Standard)
- Optional High Wattage Heater for Low Temp applications to -40°F



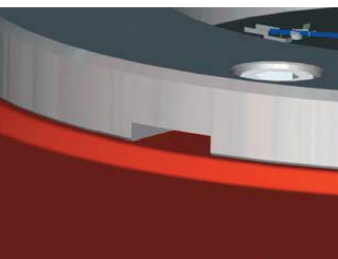
Captive cover bolt

- Cover bolts are specially designed to prevent loosening during maintenance or installation
- All external bolts are stainless steel for rust prevention



Indicator sustained by spring

- Direction of visual indicator is set by factory
- To change its direction, simply grip the indicator plate and rotate to the new position
- Spring beneath the indicator plate sustains the set position
- No need to loosen screw and tighten it again



Slot on window cover for draining water

- A drain slot is provided to eliminate water buildup on window



Removable Drive Bushing

- Easily changeable drive size

WE/XE Series

WE/XE Series



WE CSA Approved,
Type 4 & 4X,
IP67



XE
ATEX/IECEX
Ex d IIB T4 Gb, IP67



SE Type 4,
4X & 6, IP68

Actuator Models	Output Torque	90° Cycle Time (sec)	Motor Size	Full Load Amps				Locked Rotor Amps				Duty Cycle	Handwheel Turns	Weight		
				AC/DC	1 Phase		3 Phase		AC/DC	1 Phase					3 Phase	
WE / XE	In-Lbs.	60 / 50 Hz	Watts	24V	110V/60Hz	220V/60Hz	380V	440V	24V	110V/60Hz	220V/60Hz	380V	440V	IEC 34-1 S4	N	Lbs.
-690	690	13 / 16	15	5	1.2	0.6	N/A	N/A	12.8	1.4	0.7	N/A	N/A	70%	10	16.4
-1350	1350	21 / 25	40	6	2	1	0.28	0.36	16.9	2.5	1.2	0.75	0.66	70%	11	36.7
-1700	1700	21 / 25	40	7.4	2.3	1.1	0.28	0.36	16.9	2.5	1.2	0.75	0.66	70%	11	36.7
-2640	2640	26 / 31	40	8.9	2.3	1.3	0.27	0.34	30.8	2.9	1.4	1	0.87	70%	13.5	48.6
-4400	4400	26 / 31	90	N/A	4.5	1.9	0.42	0.47	N/A	5	2.4	1.73	1.5	70%	13.5	50.8
-5200	5200	26 / 31	90	N/A	4.5	2	0.42	0.47	N/A	5	2.4	1.73	1.5	70%	13.5	50.8
-6900	6900	31 / 37	180	N/A	5.1	2.4	0.61	0.67	N/A	7.3	3.8	2.73	2.38	50%	16.5	64
-10500	10500	31 / 37	180	N/A	5.4	3.4	0.61	0.67	N/A	7.3	3.8	2.73	2.38	50%	16.5	64
-17500	17500	95 / 112	180	N/A	5.8	2.4	0.61	0.67	N/A	7.3	3.8	2.73	2.38	50%	49.5	167
-25900	25900	95 / 112	180	N/A	6.3	3.4	0.61	0.67	N/A	7.3	3.8	2.73	2.38	50%	49.5	167

Standard Specifications

Enclosure	Series WE - Weatherproof, CSA Type 4, 4X, IP67 Series XE - Explosion(Flame) Proof, ATEX/IECEX Ex d IIB T4 Gb, IP67 Series SE - Submersible, Type 4, 4X, & 6, IP68, 10m for 72hr
AWWA	Conforms to AWWA C540-93 requirements
Power supply	12/24VDC, 24/110/220VAC 1PH, 220/380/440/460/480VAC 3 PH, 50/60Hz, ±10%
Duty cycle	IEC60034-1 S4, 50%-70%, 1200 starts per hour (50% max torque at 25°C/77°F)
Motor	Class F Reversible Induction motor
Limit switches	Open / Close, SPDT, 16A 1/2HP 125/250VAC, 0.6A 125VDC, 0.3A 250VDC; (2) Operational & (2) Auxillary
Torque switches	Open / Close, SPDT, 16A 1/2HP 125/250VAC, 0.6A 125VDC, 0.3A 250VDC (except size -690)
Stall protection	Built-in thermal protection, Open 302°F (150°C) / Close 207°F (97°C)
Travel angle	0 to 90° ± 10° (Standard), 360° (Optional)
Indicator	Continuous position indicator
Manual override	Declutching mechanism
Self locking	Provided by double worm gearing
Mechanical stopper	Open / Close (external adjustable screws)
Space heater	Anti-condensation 5-10 W (Standard) 30-45 W (Low-Temp option)
Cable Conduit	Two 3/4" NPT
Lubrication	Grease moly (EP type)
Terminal block	Spring loaded lever push type
Materials	Steel, Aluminium alloy, Al bronze, Polycarbonate
Ambient temperature	Standard: -4°F — 158°F Explosion Proof standard: -4°F — 140°F
Ambient humidity	90% RH Max. (non-condensing)
Anti-Vibration	XYZ 10g, 0.2~34Hz, 30 minutes
External coating	Anodizing treatment before dry powder, Polyester

WE & XE Series

ELECTRIC ACTUATORS

Options

Option	WE	XE	SE	Available Models
Explosion Proof Enclosure (ATEX/IECEX II 2 G, Ex d IIB T4 Gb, IP67)	-	X	-	-500 to -25900
Submersible Enclosure (Type 4, 4X & 6, IP68, 10m for 72hr)	-	-	X	-690 to -10500
Potentiometer Unit (1kΩ to 10kΩ)	X	X	X	-500 to -25900
TMC4 Electronic Control Card; 4-20mA, 0-10VDC, 0-5VDC, 0-135Ω, 0-1kΩ or discrete open/close command signal	X	X	X	WE-500 to -25900 XE/SE-1350 to -25900
(TDC) High Resolution Electronic Modulating Card; 4-20mA, 1-5VDC, 0-5VDC, 0-10VDC command signal	X	X	X	WE-500 to -25900 XE/SE-1350 to -25900
Local Control Unit (local/remote control)	X	-	-	-500 to -25900
Semi-Integral Control Unit (local/remote control with feedback)	X	X	X	-1350 to -25900
Intelligent Digital Control Unit (local/remote control with feedback and digital LCD display)	X	X	X	-1350 to -80000
Current Position Transmitter (4-20mA output)	X	X	X	-500 to -25900
Low Temp Kit (-40°F)	X	X	X	-500 to -25900
24V AC/DC Control	X	X	X	WE/XE-500A to -2640A SE-690A to -2640A
DC Motor (24VDC)	X	X	X	WE/XE-500C to -2640C SE-690C to -2640C
Rotation 120°, 180°, 270° turn	X	X	X	-690 to -10500
Visual LED Indicator (open, close, power, torque)	X	X	X	-1350 to -25900

Enclosure Ratings

Series WE - Weatherproof, CSA Type 4, 4X, IP67

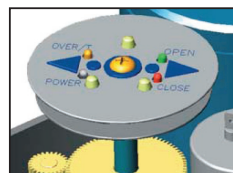
Series XE - Explosion(Flame) Proof, ATEX/IECEX
Ex d IIB T4 Gb, IP67

Series SE - Submersible, Type 4, 4X, & 6, IP68,
10m for 72hr



XE Explosion Proof Enclosure

- ATEX/IECEX Certification



Signal LED Unit

Large indicator with
monitoring lamps
(Over torque, open
and close)



Wiring Diagram References

Model	Description	Drawing
WE-500	115 VAC/1 Phase, Two Position	SE 1010
WE-500A	24 VAC/24 VDC, Two Position	SE 1168/SE 1130
WEM-500	115 VAC/1 Phase, Modulating with TMC4 Servo Card	SE01687
WE-690	115 VAC/1 Phase, Two Position	SE 1032
WEM-690	115 VAC/1 Phase, Modulating with TMC4 Servo Card	SE01689
WE/XE-1350 thru 25900	115 VAC/1 Phase, Two Position	SE 1080
WE/XE-1350A thru 2640A	24 VAC/24 VDC, Two Position	SE 1221/SE 1220
WEM/XEM-1350 thru 25900	115 VAC/1 Phase, Modulating with TMC4 Servo Card	SE01691
Digital Control Unit	3 Phase/Modulating	SE 1222
Digital Control Unit	3 Phase/Two Position	SE 1301
Semi-Integral Unit	1 Phase/Proportional	SE 1176
Semi-Integral Unit	1 Phase/Two Position	SE 1097

» See www.atcontrols.com to download specific wiring diagrams
(Download > Sort by Document Type > Electric Schematic)

High Speed Electric Actuators

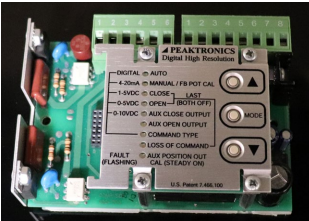
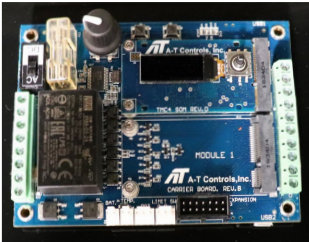
Model	Output Torque (In-Lbs)	Speed (60Hz) (seconds)	Torque Switch Setting (In-Lbs)
WE-690*HS2	290	4.5	N/A
WE-690*HS1	400	7.0	N/A
WE-1350*HS2	840	7.0	1,350
WE-1350*HS1	1,200	10.5	1,350
WE-2640*HS2	1,390	8.5	2,640
WE-2640*HS1	2,050	13.0	2,640
WE-4400*HS2	2,350	8.5	4,400
WE-4400*HS1	3,500	13.0	4,400
WE-6900*HS2	4,500	10.5	6,900
WE-10500*HS1	6,700	15.5	10,500
WE-17500*HS2	12,000	31.0	17,500
WE-25900*HS1	18,000	47.0	25,900

Motor specifications remain the same.

*Must specify voltage - see part number matrix

Control Options for WE-500 thru 25900

Control Cards



TMC4 Electronic Control Card (24VDC / 120VAC / 220VAC)

Standard Features:

- 4-20mA, 0-10VDC, 0-5VDC, 0-135Ω, 0-1kΩ or discrete Open/Close command signal
- Programmable fail positions on loss of command signal: Fail in Place, Fail CW, Fail CCW, Fail % Value
- On board 4-20mA or 0-10VDC self-powered feedback transmitter
- LCD screen with easy to navigate UI
- Expansion module slots for additional options
- Electronics temperature monitoring
- External brake control for spring return actuators
- Field upgradeable via micro USB connection

Optional Features:

- Communication protocols: Modbus RTU, Modbus TCP, Profibus DP, Ethernet I/P (consult factory for other protocols)
- Motor temperature management programmable fail positions on loss of command signal: Fail in Place, Fail CW, Fail CCW, Fail % Value
- Power monitor for AC operation

TDC Electronic Modulating Card (12/24VDC, 24/120/220 VAC)

- 450 Point Resolution, 16 Bit Micro Processor
- Adaptive Control Feature (continuously adjusts for load and actuator conditions and positions to $\pm 0.1^\circ$)
- Dynamic Breaking
- 4-20mA, 1-5V, 0-5V, 0-10V
- Programmed to Fail in place, Fail CW, or Fail CCW on loss of command signal
- 4-20mA Feedback Transmitter (Optional)

EPC Electronic AS-i Network Card

- AS-i Version 2.1
- 24VDC Power
- Emergency Override-Normal Operation is overridden when actuator is driven to either CW or CCW position on command
- Built in Emergency Position Command (EPC) overrides normal operation and automatically operates the valve into either the open or closed position (normally this is the closed position) as defined in the user specifications
- Signal Sentinel continuously monitors the EPC system offering additional failsafe backup in the event of an unexpected local event



Boiler Feedwater Application

- **WEL** Control signal 4-20mA, specify these parts: LRC-101, POT-102 & Extended Bracket.
- **WES** Control signal 0-135 ohm, specify these parts: TDC-100, XMA-108, POT-102 & Extended Bracket
- Logarithmically averages rapidly changing signals to reduce unnecessary hunting for position.

Options

Special Application

Local / Remote Control Unit

- Light, compact and integral design
- Wide range of electric power application (24V AC/DC, 115VAC 220VAC)
- Indicator lamps for full open or close positions (Green = Open, Red = Close)
- Easy application for WE-Series Actuators
- Optional remote status feedback



Intelligent Digital Control Unit

- Light, compact and integral design
- Wide range of electric power application (220VAC~480VAC/3 Phase)
- Built-in auto phase discriminator (easy and convenient wiring)
- Digital indicator with number, bar graph, menu and (3) LED lamps
- Separate terminal chamber (Reliable against water, vibration, temperature, etc.)
- Easy application for WE-Series Actuators
- Various options available



Semi-Integral Control Unit

- Light, compact and integrated design (IMS, Local/Remote control)
- Wide range of electric power application (115VAC~480VAC/1 Phase or 3 Phase)
- Phase protection monitoring by LED in case of reverse wiring
- Easy application for WE-Series Actuators
- Various options available



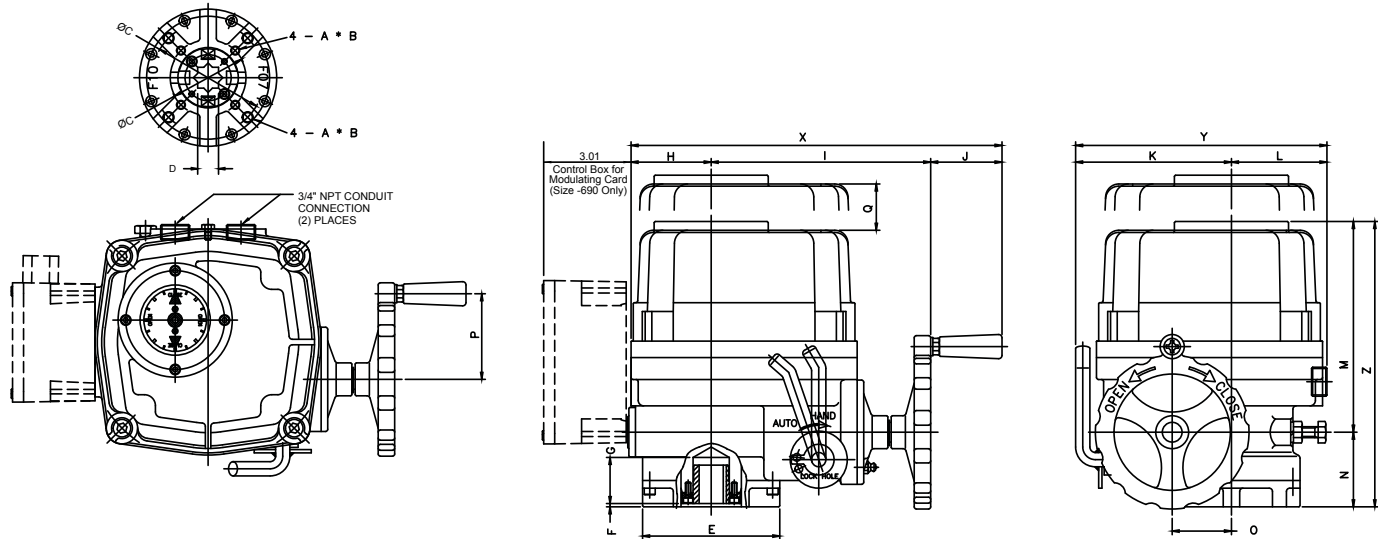
LED lamp signal	
White	○ :Power
Blue	● :Remote
Yellow	● :Fault
Red	● :Open/Opening
Green	● :Close/Closing



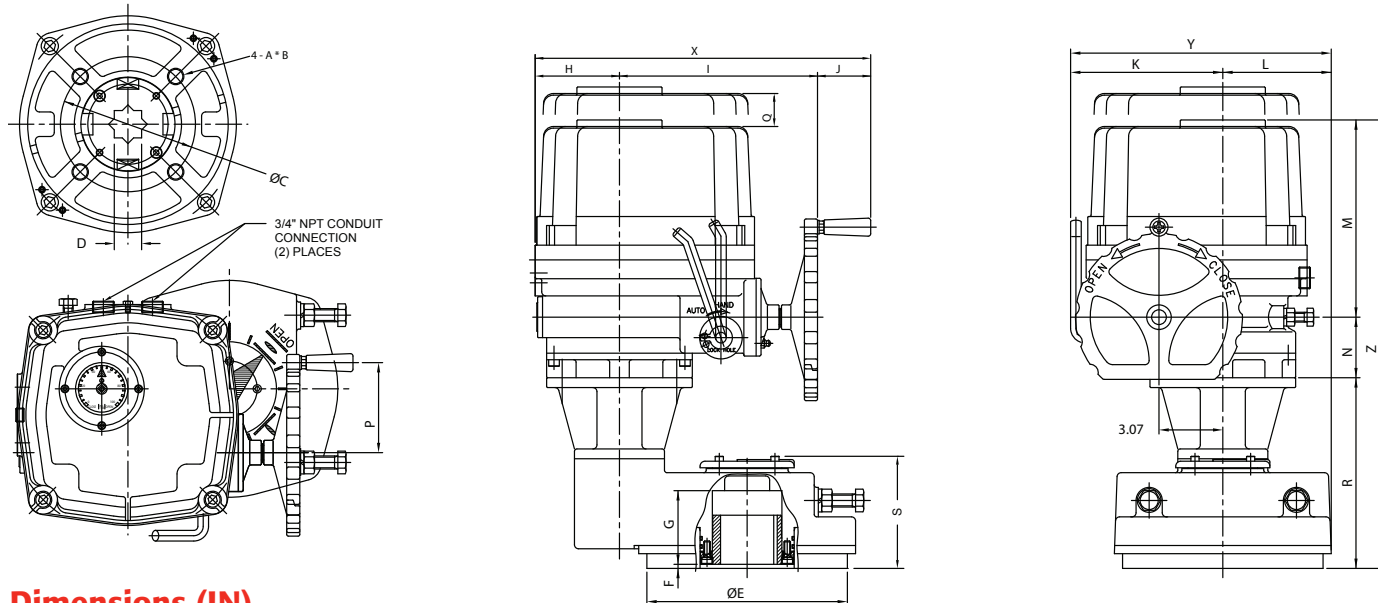
WE & XE Series

Dimensional Drawing

WE/XE-690, 1350, 1700, 2640, 4400, 5200, 6900, 10500



WE/XE-17500, 25900



Dimensions (IN)

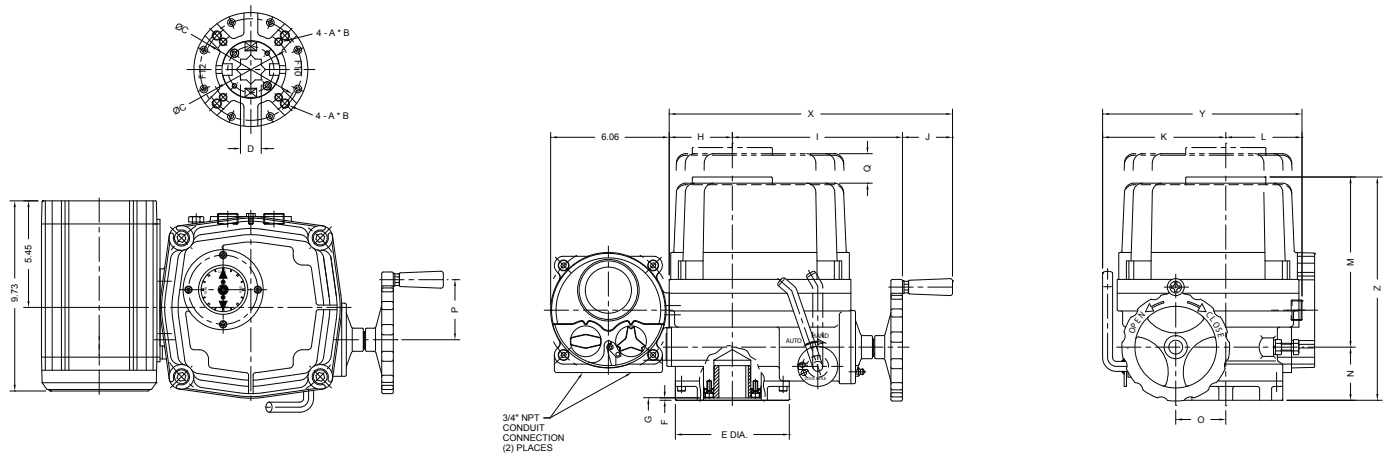
Model WE/XE	ISO 5211	A	B	C	D sq	E	F	G	H	I	J	K	L	M	N	O	P	Q	R	S	X	Y	Z
-690	F07	M8	0.47	2.756	0.669	3.46	0.12	1.26	1.97	6.18	2.01	3.94	2.76	6.57	2.09	1.57	2.36	4.72	-	-	10.16	6.69	9.25
-1350	F07/F10	M8/M10	0.47/0.59	2.756/4.016	0.748	4.92	0.12	1.65	2.87	7.87	2.56	5.59	3.43	7.56	2.68	2.13	3.07	6.30	-	-	13.31	9.02	10.55
-1700	F07/F10	M8/M10	0.47/0.59	2.756/4.016	0.748	4.92	0.12	1.65	2.87	7.87	2.56	5.59	3.43	7.56	2.68	2.13	3.07	6.30	-	-	13.31	9.02	10.55
-2640	F10/F12	M10/M12	0.59/0.71	4.016/4.921	1.063	5.83	0.12	1.93	3.23	8.70	2.56	6.30	3.90	8.70	2.72	2.56	3.07	7.09	-	-	14.49	10.20	11.42
-4400	F10/F12	M10/M12	0.59/0.71	4.016/4.921	1.063	5.83	0.12	1.93	3.23	8.70	2.56	6.30	3.90	8.70	2.72	2.56	3.07	7.09	-	-	14.49	10.20	11.97
-5200	F10/F12	M10/M12	0.59/0.71	4.016/4.921	1.063	5.83	0.12	1.93	3.23	8.70	2.56	6.30	3.90	8.70	2.72	2.56	3.07	7.09	-	-	14.49	10.20	11.97
-6900	F14	M16	0.95	5.512	1.417	7.01	0.12	2.24	4.06	9.53	2.56	7.32	4.37	9.49	2.91	3.07	4.33	8.27	-	-	16.14	11.69	12.99
-10500	F14	M16	0.95	5.512	1.417	7.01	0.12	2.24	4.06	9.53	2.56	7.32	4.37	9.49	2.91	3.07	4.33	8.27	-	-	16.14	11.69	12.99
-17500	F16	M20	1.18	6.496	1.417	9.65	0.20	3.54	4.06	9.53	2.56	7.32	5.24	9.49	2.91	3.07	4.33	8.27	9.17	5.24	16.14	12.56	22.17
-25900	F16	M20	1.18	6.496	1.417	9.65	0.20	3.54	4.06	9.53	2.56	7.32	5.24	9.49	2.91	3.07	4.33	8.27	9.17	5.24	16.14	12.56	22.17

WE Series

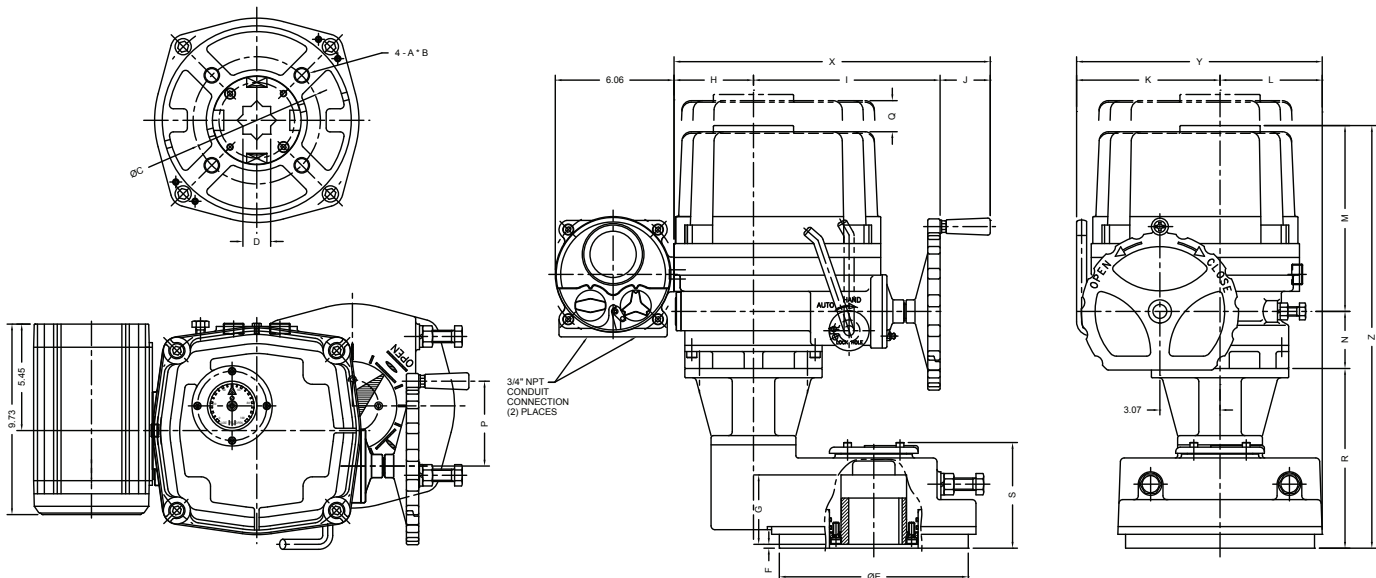
ELECTRIC ACTUATORS

Dimensional Drawing

WE-1350, 1700, 2640, 4400, 5200, 6900, 10500 *Intelligent Digital Control Unit*



WE-17500, 25900 *Intelligent Digital Control Unit*

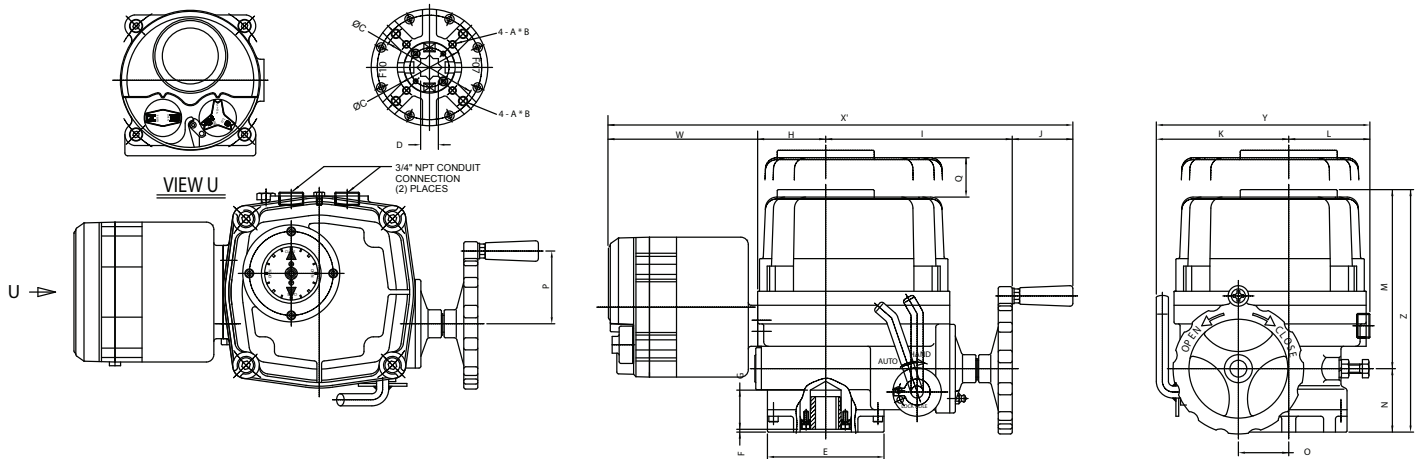


Dimensions (IN)

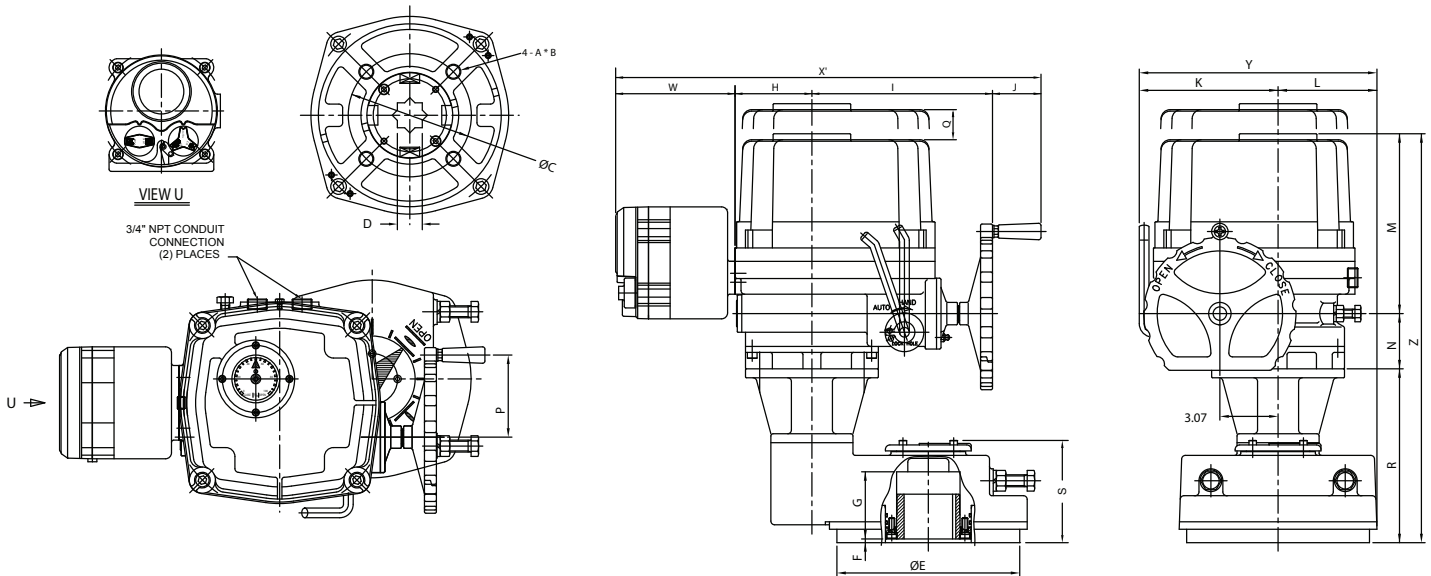
Model WE	ISO 5211	A	B	C	D sq	E	F	G	H	I	J	K	L	M	N	O	P	Q	R	S	X	Y	Z
-1350	F07/F10	M8/M10	0.47/0.59	2.756/4.016	0.748	4.92	0.12	1.65	2.87	7.87	2.56	5.59	3.43	7.56	2.68	2.13	3.07	6.30	-	-	13.31	9.02	10.55
-1700	F07/F10	M8/M10	0.47/0.59	2.756/4.016	0.748	4.92	0.12	1.65	2.87	7.87	2.56	5.59	3.43	7.56	2.68	2.13	3.07	6.30	-	-	13.31	9.02	10.55
-2640	F10/F12	M10/M12	0.59/0.71	4.016/4.921	1.063	5.83	0.12	1.93	3.23	8.70	2.56	6.30	3.90	8.70	2.72	2.56	3.07	7.09	-	-	14.49	10.20	11.42
-4400	F10/F12	M10/M12	0.59/0.71	4.016/4.921	1.063	5.83	0.12	1.93	3.23	8.70	2.56	6.30	3.90	8.70	2.72	2.56	3.07	7.09	-	-	14.49	10.20	11.97
-5200	F10/F12	M10/M12	0.59/0.71	4.016/4.921	1.063	5.83	0.12	1.93	3.23	8.70	2.56	6.30	3.90	8.70	2.72	2.56	3.07	7.09	-	-	14.49	10.20	11.97
-6900	F14	M16	0.95	5.512	1.417	7.01	0.12	2.24	4.06	9.53	2.56	7.32	4.37	9.49	2.91	3.07	4.33	8.27	-	-	16.14	11.69	12.99
-10500	F14	M16	0.95	5.512	1.417	7.01	0.12	2.24	4.06	9.53	2.56	7.32	4.37	9.49	2.91	3.07	4.33	8.27	-	-	16.14	11.69	12.99
-17500	F16	M20	1.18	6.496	1.417	9.65	0.20	3.54	4.06	9.53	2.56	7.32	5.24	9.49	2.91	3.07	4.33	8.27	9.17	5.24	16.14	12.56	22.17
-25900	F16	M20	1.18	6.496	1.417	9.65	0.20	3.54	4.06	9.53	2.56	7.32	5.24	9.49	2.91	3.07	4.33	8.27	9.17	5.24	16.14	12.56	22.17

Dimensional Drawing

WE-1350, 1700, 2640, 4400, 5200, 6900, 10500 *Semi-integral Control Unit*



WE-17500, 25900 *Semi-integral Control Unit*



Dimensions (IN)

Model WE	ISO 5211	A	B	C	D sq	E	F	G	H	I	J	K	L	M	N	O	P	Q	R	S	X	Y	Z
-690	F07	M8	0.47	2.756	0.669	3.46	0.12	1.26	1.97	6.18	2.01	3.94	2.76	6.57	2.09	1.57	2.36	4.72	-	-	10.16	6.69	9.25
-1350	F07/F10	M8/M10	0.47/0.59	2.756/4.016	0.748	4.92	0.12	1.65	2.87	7.87	2.56	5.59	3.43	7.56	2.68	2.13	3.07	6.30	-	-	13.31	9.02	10.55
-1700	F07/F10	M8/M10	0.47/0.59	2.756/4.016	0.748	4.92	0.12	1.65	2.87	7.87	2.56	5.59	3.43	7.56	2.68	2.13	3.07	6.30	-	-	13.31	9.02	10.55
-2640	F10/F12	M10/M12	0.59/0.71	4.016/4.921	1.063	5.83	0.12	1.93	3.23	8.70	2.56	6.30	3.90	8.70	2.72	2.56	3.07	7.09	-	-	14.49	10.20	11.42
-4400	F10/F12	M10/M12	0.59/0.71	4.016/4.921	1.063	5.83	0.12	1.93	3.23	8.70	2.56	6.30	3.90	8.70	2.72	2.56	3.07	7.09	-	-	14.49	10.20	11.97
-5200	F10/F12	M10/M12	0.59/0.71	4.016/4.921	1.063	5.83	0.12	1.93	3.23	8.70	2.56	6.30	3.90	8.70	2.72	2.56	3.07	7.09	-	-	14.49	10.20	11.97
-6900	F14	M16	0.95	5.512	1.417	7.01	0.12	2.24	4.06	9.53	2.56	7.32	4.37	9.49	2.91	3.07	4.33	8.27	-	-	16.14	11.69	12.99
-10500	F14	M16	0.95	5.512	1.417	7.01	0.12	2.24	4.06	9.53	2.56	7.32	4.37	9.49	2.91	3.07	4.33	8.27	-	-	16.14	11.69	12.99
-17500	F16	M20	1.18	6.496	1.417	9.65	0.20	3.54	4.06	9.53	2.56	7.32	5.24	9.49	2.91	3.07	4.33	8.27	9.17	5.24	16.14	12.56	22.17
-25900	F16	M20	1.18	6.496	1.417	9.65	0.20	3.54	4.06	9.53	2.56	7.32	5.24	9.49	2.91	3.07	4.33	8.27	9.17	5.24	16.14	12.56	22.17

See wiring drawings reference on page 15 or call factory for special requests.

WE-53000 & WE-80000

ELECTRIC ACTUATORS

Technical Information

Actuator Model	Output Torque In-Lbs	90° Cycle Time 60/50Hz	Mounting Size ISO 5211	Rated Current(A) 60Hz			Motor Insulation Class AC 1PH 50/60Hz	Maximum Bore Size (mm)		Duty Cycle S2	Number of Handwheel Turns 39	Weight Lbs.
				1 Phase 220V	3 Phase 380V 440V			Key (ø)	Square (α)			
WE-53000	53000	149 sec.	F25/30*	3.15	1.8	2.2	F	120	100	30%	39	335
WE-80000	80000			3.85	2.0	2.4						

*Four mounting holes only

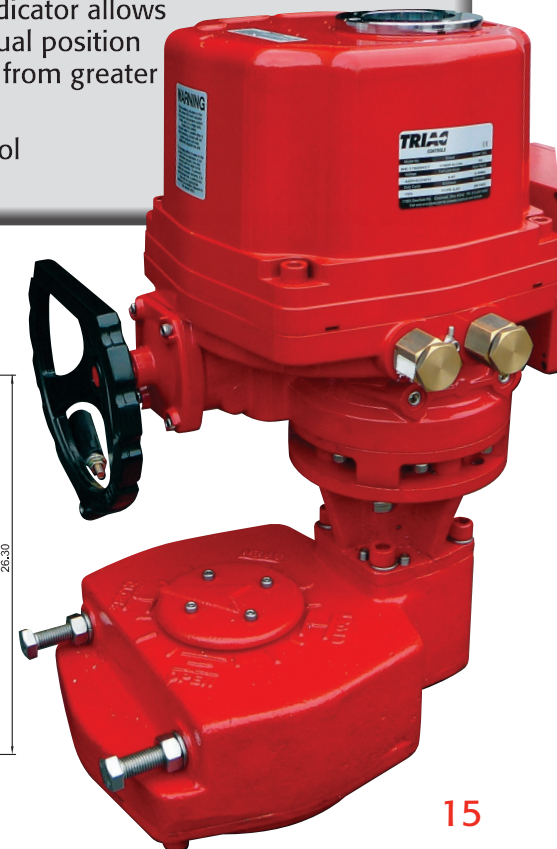
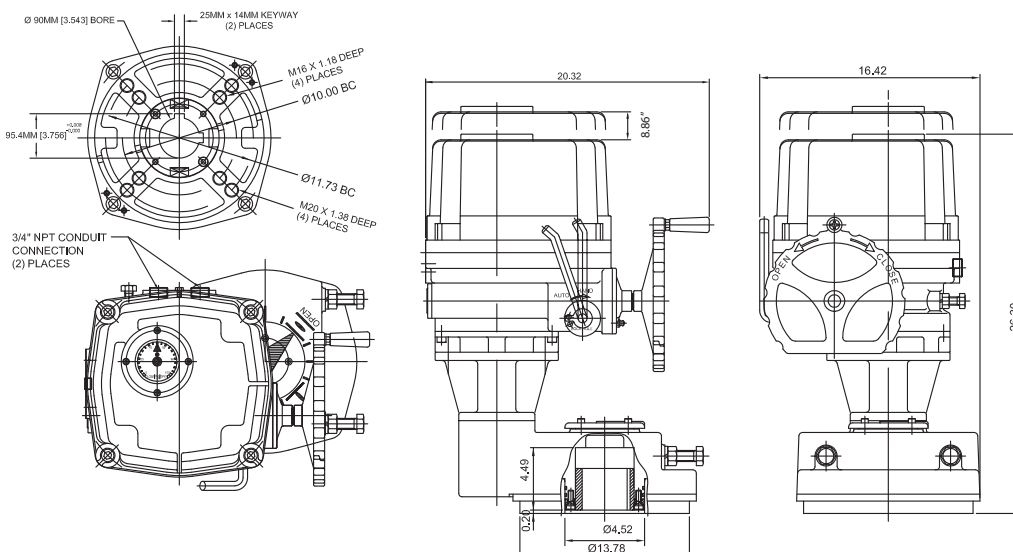
Standard Specifications

Enclosure	Weatherproof enclosure IP67, Type 4, 4X & 6, O-ring Sealed
Power Supply	220VAC/1PH/60Hz, 380/440/VAC/3Ph/60Hz ± 10%, 24VDC
Duty Cycle	30%
Motor	Squirrel Cage induction motor
Aux. Limit Switches	2 each for Open/Close, SPDT, 250 VAC, 10A Rating
Torque Switches	1 each for Open/Close, SPDT, 250 VAC, 10A Rating
Space Heater	5W (220VAC) Anti-condensation
Manual Override	Dec clutchable
Cable Conduit	Two 3/4" NPT
Movement Angle	90° ± 5°
Ambient Temperature	-4°F to 158°F (optional -40°F Low Temp Kit)
Ambient Humidity	90% RH Max (Non-Condensing)
Position Indicator	Continuous mechanical indicator with arrow
Self Locking	Provided by double worm gearing (no brake)
Mechanical Stopper	1 for each travel end (open/close), external & adjustable
Stall Protection / Set Temp	Built in thermal protection, Open 302°F (150°C) / Close 207°F (97°C)
Terminal Block	Spring loaded lever push type
Eternal Coating	Polyester powder coating
Lubrication	EP type grease
Anti-Vibration	XYZ 10g, 0.2~34Hz, 30 minutes

Features

- Compact, robust and lightweight construction covers a wide range of torques up to 80,000 In-lbs.
- Polyester powder coated exterior and hard anodized aluminum interior provides excellent protection from the most severe industrial environments.
- Double worm gear design prevents any valve movement from dynamic forces within the pipeline.
- Standard ISO 5211 mounting configuration for direct mount.
- Dec clutchable manual override with hand wheel.
- Mechanical torque switches prevent motor and gear set damage during excessive torque scenarios.
- Large visual indicator allows for positive visual position identification from greater distances.
- Digitized control components.

Dimensions



How to order WE/XE Series

TRIAQ® WE / XE Series Part Number Reference

1. Model	
WE	Weather Proof, CSA TYPE 4, 4X, IP67
XE	Explosion Proof Design, ATEX & IECEx Ex d IIB T4 Gb, IP67
SE	Submersible unit (IP68, 10 meters for 72 Hours)

2. Main Control		
Blank	2-Position Control (Open / Close)	
M	Standard Modulating Control Card with transmitter	500 - 10500
D	Modulating Card (TDC-100 or TDC-400)	See 7 Misc. Options 1 for transmitter 500 - 10500
E	Ethernet/IP	(go to 3) 500 - 25900
P	Profibus DP	(go to 3) 500 - 25900
R	Modbus RTU Single Channel	(go to 3) 500 - 25900
T	Modbus/TCP	(go to 3) 500 - 25900
U	Modbus RTU Dual Channel Isolated	(go to 3) 500 - 25900
L	Boiler Feed (4-20mA)	TSM extension recommended 500 - 25900
S	Boiler Feed (0-135Ω)	TSM extension recommended 500 - 25900
Y	Fireye Burner Control	(Proprietary) 500 - 25900



3. Main Control Type (with Communication Option)	
Blank	No Communication Control Type
A	Communication Control, Proportional Control/Feedback
B	Communication Control, (2) Position Control (Open/Close)

4. Actuator Size			
350	350 In-Lbs	5200	5200 In-Lbs
350HS	270 In-Lbs	6900	6900 In-Lbs
500	500 In-Lbs	10500	10500 In-Lbs
690	690 In-Lbs	17500	17500 In-Lbs
1350	1350 In-Lbs	25900	25900 In-Lbs
1700	1700 In-Lbs	53000	53000 In-Lbs
2640	2640 In-Lbs	80000	80000 In-Lbs
4400	4400 In-Lbs		

5. Motor		Applicable Models
X	110VAC/1PH ⁽¹⁾ Place holder only - omit when at end of part number	
A	24VDC/VAC - On/Off ⁽¹⁾ (includes motor reversing control card)	500 - 2640
C	24VDC (DC motor only unless with 2 - Main Control option)	500 - 2640
N	12VDC/VAC - On/Off (includes motor reversing control card)	690
B	12VDC (DC motor only unless with 2 - Main Control option)	690
D	24VAC/1PH	500 - 2640
E	220VAC/1PH ⁽¹⁾	500 - 80000
F	220VAC/3PH	1350 - 80000
G	380VAC/3PH	1350 - 80000
H	480VAC/3PH	1350 - 80000
K	440VAC/3PH	1350 - 80000

6. Secondary Control Options		Applicable Models
X	No options Place holder only - omit when at end of part number	
B	Semi-integral Control Unit (1PH/3PH)	WE/XE 1350 - 25900
C	Intelligent Digital Control Unit (3PH)	WE/XE 1350 - 80000
D	Local / Remote Control Switches	WE 500 - 25900
E	RCT Electronic Speed Control Module ⁽²⁾ (both directions standard)	(24VAC, 110VAC, 220VAC only) 500 - 25900
F	AMI AC Motor Interface & Speed Control	(24VAC, 110VAC, 220VAC only) 500 - 25900
G	AST Sequence Timer	500 - 25900
HS1	High Speed 1	See High Speed Options
HS2	High Speed 2	See High Speed Options
R	2-Wire Control ^{(1) (2)}	110VAC control voltage
S	2-Wire Control ^{(1) (2)}	24VAC control voltage
T	2-Wire Control ^{(1) (2)}	24VDC control voltage

7. Miscellaneous Options 1		Applicable Models
Blank	No designation, Actuator Series Standard	
X	Multiple Option Designation	
T	0-10VDC or 4-20mA Transmitter (specify) (On/Off or modulating control "D")	
G	General I/O Module (with TMC4 only, CF for options)	
N	1000 Ohm Potentiometer ⁽¹⁾	
O	5000 Ohm Potentiometer ⁽¹⁾	
P	10K Ohm Potentiometer ⁽¹⁾	
Y	180° Operation	500 - 10500
Z	270° Operation	690 - 10500
3	180° Operation, 3-Position Control	500 - 10500
4	270° Operation, 4-Position Control ⁽²⁾	690 - 10500
8	180° Operation, 3-Position Control Board for WE-500 Wine Application	
9	90° Operation, 3-Position Control ⁽²⁾	500 - 25900
L	-40°F Low Temp Kit	500 - 25900
I	Visual LED Indicator (Open/Close/Power)	690 - 10500
S	(4) Auxillary limit switches (6 total)	690 - 25900

8. Conduit Thread Options	
Blank	No Designation, Actuator Series Standard
X	Multiple Option Designation
M	M20
A	M25

9. Drive Bushing	
Blank	No Designation, Actuator Series Standard
X	Multiple Option Designation
D	Nonstandard DD Drive Bushing
K	Nonstandard Key Drive Bushing
N_	Nonstandard Star Drive Bushing, Followed by Drive Size in mm (ex. N14)
6	316 Stainless Steel Standard Drive Size

10. Miscellaneous Options 2		Applicable Models
Blank	No Designation, Actuator Series Standard	
X	Multiple Option Designation	
2	F12 Mounting	6900 - 10500
4	F14 Mounting	17500 - 25900
C	Corrosion Resistant NANO Polymer Coating	
L	CCW Operation	500 - 25900
R	CW Operation	500 - 25900
S	125 g Shock Configuration	690 - 10500
P	Non Standard Coating Color	

⁽¹⁾ XE-500 applicable options
⁽²⁾ Use 10-Miscellaneous Options 2 to specify direction
 ** Floor Drive Mounting Configuration - See Floor Drive Catalog

HOW TO ORDER ELECTRIC ACTUATORS										
1	2	3	-	4	5	6	7	8	9	10
↓	↓	↓		↓	↓	↓	↓	↓	↓	↓
WE	M		-	2640	X	X	X	X	X	C

Example
WEM-2640_____
 (Weather Proof Housing, Modulating Control, model size 2640, 110VAC / 1PH)

Specials and Applied Solutions

ELECTRIC ACTUATORS

While you have come to know A-T Controls for superior service in automated valves and day-to-day automation and controls, we specialize in offering solutions to your more unique and difficult applications. Listed below are some of the electric specials and solutions oriented products and services we offer.



Electric Floor Damper Drive



Butterfly Valve Tee Assemblies

See these catalogs for additional offerings included in the TRIAC® Electric Actuator product line:



XC Series



CSA Certification

Class I, Division 1, Groups C, D T4
 Ex d IIB T4 Gb
 Class I, Zone 1, AEx d IIB T4 Gb
 TYPE 4, 4X, 6 & 7, IP66/IP67

Standard Features

- Visual position indicator
- Torque switches (XC-01350 – XC-25900)
- Anti-condensation heater and thermostat
- Two auxiliary limit switches
- Self-locking gear train
- Manual handwheel with torque from 690 in-lbs to 25900 in-lbs
- Available motor voltages: 12VDC, 24VDC, 24VAC, 120VAC & 220VAC
- Optional proportional control
- Various inputs with feedback available

See **How To Order XC Series** on page 4

Triac XC Series Actuators

The Triac XC Series Actuators are CSA Certified Type 4, 4X, 6 & 7 for hazardous locations and meet UL 1203 standard. The actuators are rugged and reliable with powder coated anodized aluminum housing for use in Oil, Gas, Chemical & Power Gen applications. The XC Series is the perfect match for resilient or high-performance butterfly valves and dampers because of the self-locking, double reduction worm drive and torque switches. The XC Series is also ideal for ball, plug or any rotary valve requiring automation in a hazardous location.

NOTE: XC Series Actuators cannot be used in applications where there is exposure to acetic acid or methanol.

Actuator Model	Output Torque				90° Cycle Time (sec)				Full Load Amps (FLA)				Locked Rotor Amps (LRA)				Duty Cycle*				Hand-wheel Turns	Lbs
	In-Lbs				60Hz	60Hz	60Hz/DC	DC	60Hz	60Hz	60Hz/DC	DC	60Hz	60Hz	60Hz/DC	DC	S4 (IEC 60034-1)					
XC	110 VAC	220 VAC	24V AC/DC	12 VDC	110 VAC	220 VAC	24V AC/DC	12 VDC	110 VAC	220 VAC	24V AC/DC	12 VDC	110 VAC	220 VAC	24V AC/DC	12 VDC	110 VAC	220 VAC	24V AC/DC	12 VDC		
-00690	690	690	620	350	20	20	17	11	1.2	0.6	5	13.5	1.4	0.7	12.8	21.7	40%	40%	30%	30%	10	16.4
-00860	860	790	700	440	20	20	20	11	1.2	0.6	6.3	13.5	1.4	0.7	12.8	21.7	40%	40%	30%	30%	10	16.4
-01350	1350	1350	1350	-	21	23	22	-	2	1	6	-	2.5	1.2	16.9	-	70%	35%	40%	-	11	36.7
-01700	1700	1590	1410	-	21	23	22	-	2.3	1.1	7.4	-	2.5	1.2	16.9	-	70%	35%	40%	-	11	36.7
-02640	2640	2300	2120	-	26	26	32	-	2.3	1.3	8.9	-	2.9	1.4	30.8	-	70%	40%	35%	-	13.5	48.6
-04400	3980	3980	-	-	29	29	-	-	4.5	1.9	-	-	5	2.4	-	-	30%	30%	-	-	13.5	50.8
-06900	6900	6900	-	-	31	34	-	-	5.1	2.4	-	-	7.3	3.8	-	-	30%	30%	-	-	16.5	64
-10500	9600	8300	-	-	31	34	-	-	5.4	3.4	-	-	7.3	3.8	-	-	30%	30%	-	-	16.5	64
-17500	17500	17500	-	-	93	93	-	-	5.8	2.4	-	-	7.3	3.8	-	-	30%	30%	-	-	49.5	167
-25900	25900	25900	-	-	93	93	-	-	6.3	3.4	-	-	7.3	3.8	-	-	30%	30%	-	-	49.5	167

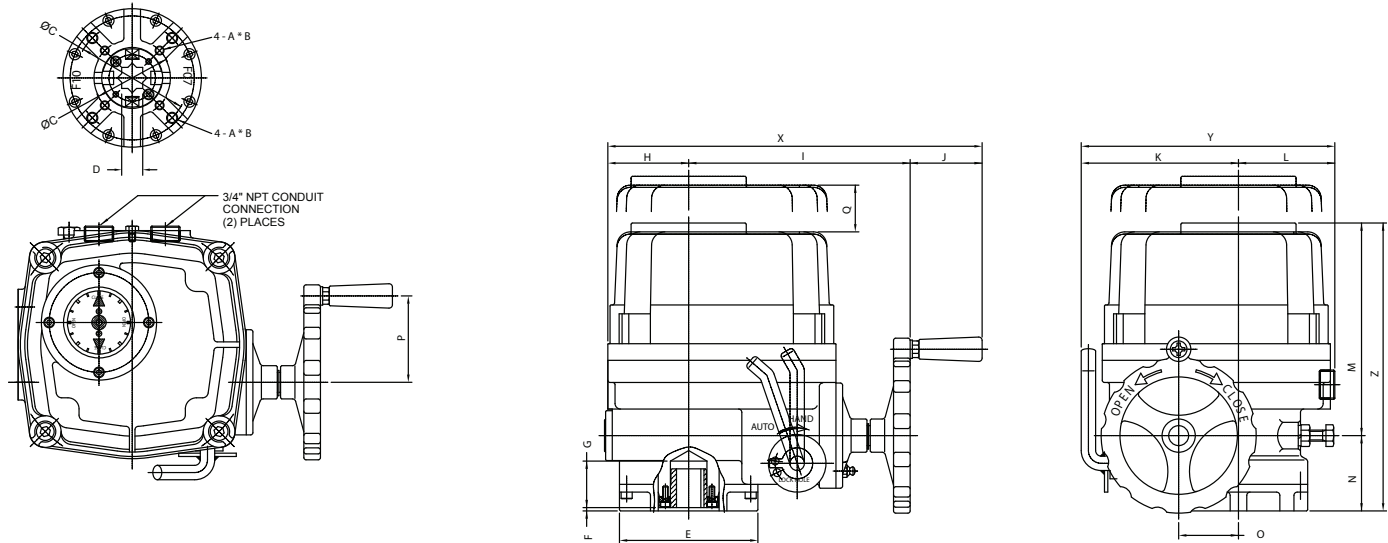
*DUTY CYCLE: FULL LOAD WITH 158°F AMBIENT TEMP

XC Series

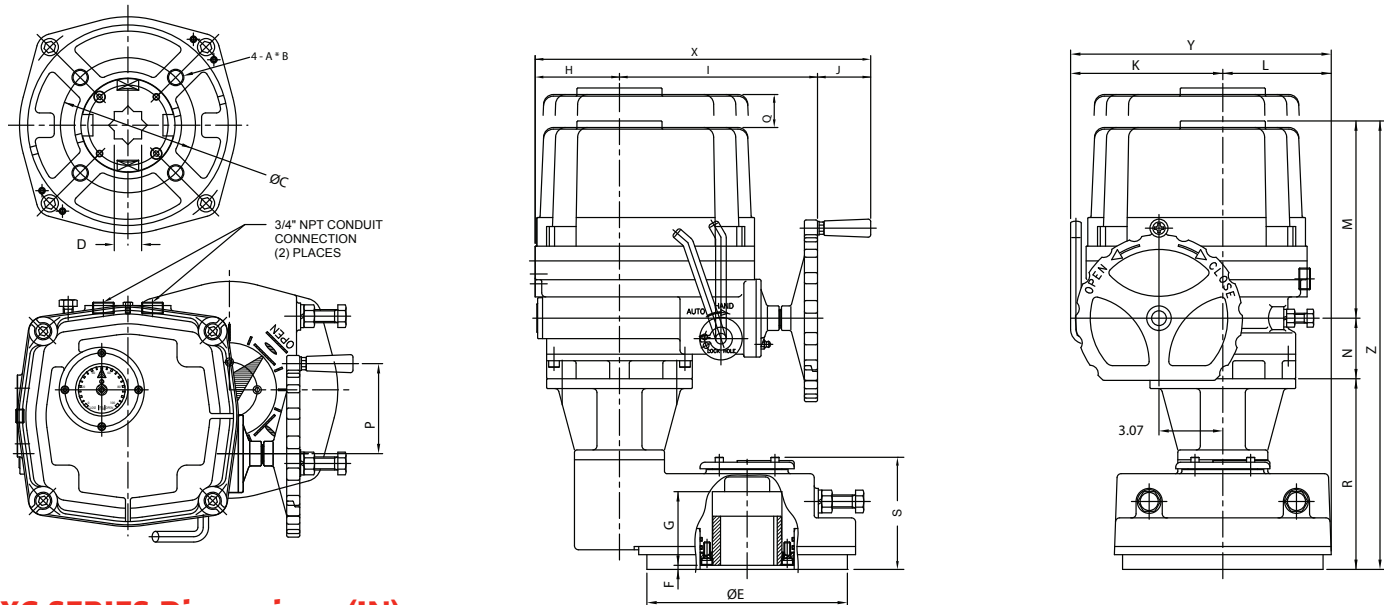
ELECTRIC ACTUATORS

Dimensional Drawings

XC-00690, 00860, 01350, 01700, 02640, 04400, 06900, 10500



XC-17500, 25900



XC SERIES Dimensions (IN)

Model XC	ISO 5211	A	B	C	D sq	E	F	G	H	I	J	K	L	M	N	O	P	Q	R	S	X	Y	Z
-00690	F07	M8	0.47	2.756	0.669	3.46	0.12	1.26	1.97	6.18	2.01	3.94	2.76	7.10	2.09	1.57	2.36	4.72	-	-	10.16	6.69	9.78
-00860	F07	M8	0.47	2.756	0.669	3.46	0.12	1.26	1.97	6.18	2.01	3.94	2.76	7.10	2.09	1.57	2.36	4.72	-	-	10.16	6.69	9.78
-01350	F07/F10	M8/M10	0.47/0.59	2.756/4.016	0.748	4.92	0.12	1.65	2.87	7.87	2.56	5.59	3.43	8.09	2.68	2.13	3.07	6.30	-	-	13.31	9.02	11.08
-01700	F07/F10	M8/M10	0.47/0.59	2.756/4.016	0.748	4.92	0.12	1.65	2.87	7.87	2.56	5.59	3.43	8.09	2.68	2.13	3.07	6.30	-	-	13.31	9.02	11.08
-02640	F10/F12	M10/M12	0.59/0.71	4.016/4.921	1.063	5.83	0.12	1.93	3.23	8.70	2.56	6.30	3.90	9.23	2.72	2.56	3.07	7.09	-	-	14.49	10.20	11.95
-04400	F10/F12	M10/M12	0.59/0.71	4.016/4.921	1.063	5.83	0.12	1.93	3.23	8.70	2.56	6.30	3.90	9.23	2.72	2.56	3.07	7.09	-	-	14.49	10.20	12.50
-06900	F14	M16	0.95	5.512	1.417	7.01	0.12	2.24	4.06	9.53	2.56	7.32	4.37	10.02	2.91	3.07	4.33	8.27	-	-	16.14	11.69	13.52
-10500	F14	M16	0.95	5.512	1.417	7.01	0.12	2.24	4.06	9.53	2.56	7.32	4.37	10.02	2.91	3.07	4.33	8.27	-	-	16.14	11.69	13.52
-17500	F16	M20	1.18	6.496	1.417	9.65	0.20	3.54	4.06	9.53	2.56	7.32	5.24	10.02	2.91	3.07	4.33	8.27	9.17	5.24	16.14	12.56	22.70
-25900	F16	M20	1.18	6.496	1.417	9.65	0.20	3.54	4.06	9.53	2.56	7.32	5.24	10.02	2.91	3.07	4.33	8.27	9.17	5.24	16.14	12.56	22.70

How to order XC Series

TRIAC® XC Series

CSA Approved Explosion Proof Actuators

Part Number Reference

Series	
XC	Explosion Proof, CSA Class I, Division 1, Groups C, D; T4 Type 4, 4X, 6 & 7, IP66/IP67 Ex d IIB T4 Gb Class I, Zone 1, AEx d IIB T4Gb

Control	
Blank	(2) Position Control (Open / Close)
D	Modulating Controller* (Sizes 01350 -01700) *XCD available with motor option C or E only



Actuator Size	Output Torque			
	110 VAC	220 VAC	24V AC/DC	12 VDC
-00690	690	690	620	350
-00860	860	790	700	440
-01350	1,350	1,350	1,350	-
-01700	1,700	1,590	1,410	-
-02640	2,640	2,300	2,120	-
-04400	3,980	3,980	-	-
-06900	6,900	6,900	-	-
-10500	9,600	8,300	-	-
-17500	17,500	17,500	-	-
-25900	25,900	25,900	-	-

Motor	
X	110VAC/1PH
A	24VDC/24VAC on/off (Sizes 00690 - 02640)
B	12VDC (Sizes 00690 & 00860)
C	24VDC XCD MODELS ONLY (Sizes 01350 - 01700)
E	220VAC /1PH
N	12VDC/12VAC on/off (Sizes 00690 - 00860)

Options		Note: Add all miscellaneous options to end of part number
Blank	No options	
XT	0-10VDC/4-20mA Transmitter	XCD MODELS ONLY



NOTE: Class I, Division 2 areas require a certified seal-off fitting during installation

Example

XC-01350X - Triac Explosion Proof Electric Actuator, 1350 In-Lbs (150Nm), 21 Second Operation, 110VAC/1PH, 50-60Hz, 2 FLA, Two Position Control, ISO Mounting, 10 Watts Compartment Heater & Thermostat, (2) Auxiliary Limit Switches with Independent Cams, (2) Torque Switches, Diecast Anodized Aluminum Polyester Coated Construction, Class F Extended Duty Fan Motor, Manual Override, (2) 3/4" NPT Conduit Connections, F07/F10 ISO Mounting Pad, 19MM (0.748) Star Output Drive, cCSAus Approved Class I, Division 1, Groups C, D; T4, Ex d IIB Gb T4, Class I, Zone 1, AEx d IIB Gb T4, Type 4, 4X, 6 & 7, IP66, IP67, Ambient Temp = -20°C to +60°C
Color - Silver

A-T Controls reserves the right to change product designs and technical/dimensional specifications without notice. See website for updates.

KE Series

ELECTRIC ACTUATORS



Standard Features

- Convex lens visual position indicator makes it easier to observe without water collecting on the surface of the indicator
- Anti-condensation heater
- Two auxiliary limit switches
- Self-locking gear train
- Manual override with wrench
- Available motor voltages: 12VDC, 24VDC, 120VAC & 220VAC
- Optional 4-20mA & 0-10 VDC proportional control
- Duty Cycle (IEC60034-1), 50% max torque at 25°C/77°F
 - On/Off – S2 continuous 15 minutes max
 - Modulating – S4 intermittent, 50%, 1200 starts per hour
- Temperature Range: -4° F to 140° F

Triac KE Series Actuators

The Triac KE Series electric actuators are the perfect match for resilient or high-performance butterfly valves and dampers because of the self-locking worm drive. The KE Series actuators are used to control rotary valves, such as butterfly valves, ball valves, plug valves, etc. Widely used in applications such as petroleum, chemical, water treatment, ship, paper, power stations, heating supply, building automation, light industry etc.

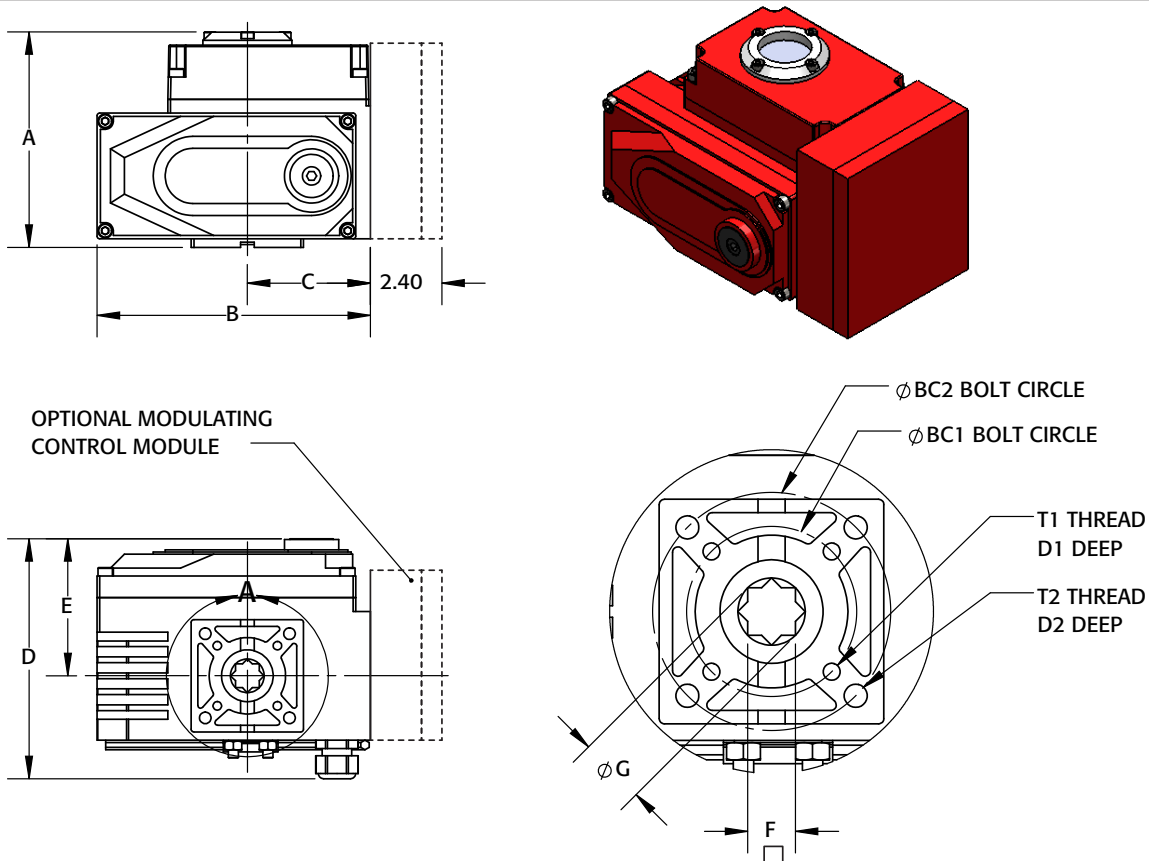


*Unique low profile actuator,
ideal for tight spaces*



Dimensional Drawing

KE-440 to -3500



KE SERIES Dimensions (IN)

Model	A	B	C	D	E	Mounting Pad								
						ISO 5211	F	G	BC1	BC2	T1	D1	T2	D2
KE-440	5.14	6.74	3.07	5.44	3.12	F05/F07	0.551 x 0.67 Deep	0.76	1.969	2.756	M6 x 1	0.4	M8 x 1.25	0.5
KE-880	5.31	7.69	3.50	6.24	3.43	F05/F07	0.669 x 0.89 Deep	0.92	1.969	2.756	M6 x 1	0.4	M8 x 1.25	0.5
KE-1700	6.65	11.63	4.93	8.37	4.57	F10/F12	1.063 x 1.28 Deep	1.47	4.016	4.921	M10 x 1.5	0.6	M12 x 1.75	0.7
KE-3500	6.65	11.63	4.93	8.37	4.57	F10/F12	1.063 x 1.28 Deep	1.47	4.016	4.921	M10 x 1.5	0.6	M12 x 1.75	0.7

KE Motor Technical Data

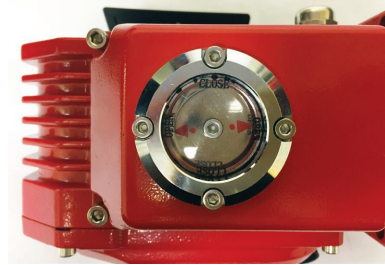
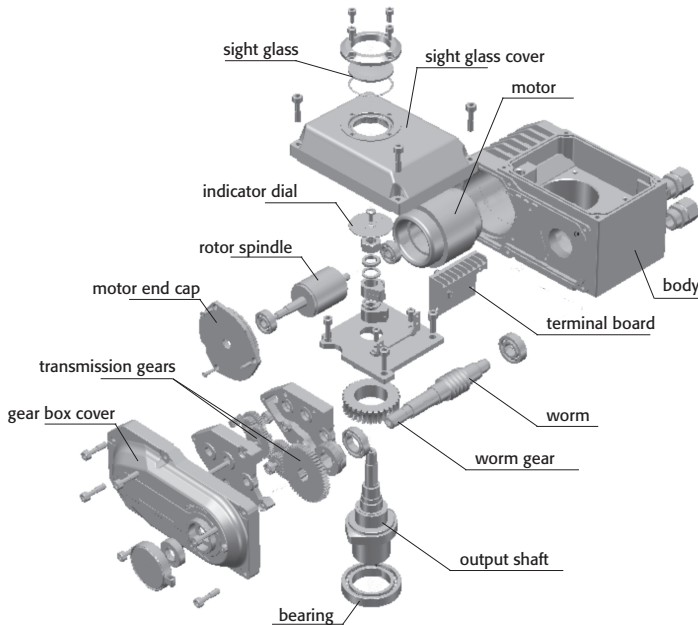
Actuator Model	Output Torque		90° Cycle Time (sec)				Rated Current				Lbs
			AC		DC		DC		1 Phase		
	In-Lbs	Nm	50 Hz	60 Hz	12V	24V	12V	24V	110VAC	220VAC	
KE-440	440	50	15	13	25	20	3.0	1.8	1.2	0.65	7.5
KE-880	880	100	15	13	25	20	5.3	2.8	1.3	0.9	12
KE-1700	1700	200	20	17	N/A	20	N/A	7.5	1.3	0.6	21
KE-3500	3500	400	20	17	N/A	30	N/A	7.5	2.5	1.2	21

A-T Controls reserves the right to change product designs and technical/dimensional specifications without notice.

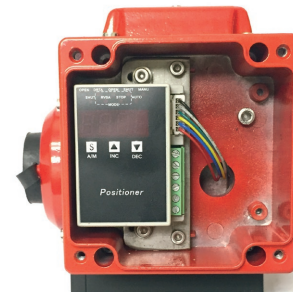
KE Series

ELECTRIC ACTUATORS

KE Series Actuators



Convex lens visual position indicator



4-20mA/0-10 VDC Modulating Control Module

TRIAC® KE Series Electric Actuator Part Number Reference

1. Model	
KE	Weather-Proof IP67 Electric Actuator

2. Main Control	
Blank	(2) Position Control (Open / Close)
M	Standard Modulating Control Card with transmitter
E	Ethernet/IP (go to 3)
P	Profibus DP (go to 3)
R	Modbus RTU Single Channel (go to 3)
T	Modbus/TCP (go to 3)
U	Modbus RTU Dual Channel Isolated (go to 3)
4	TMC4 Modulating Card

3. Main Control Type (with Communication Option)	
Blank	No Communication Control Type
A	Communication Control, Proportional Control/Feedback
B	Communication Control, (2) Position Control (Open/Close)

4. Actuator Sizes	
440	440 In-Lbs
880	880 In-Lbs
1700	1700 In-Lbs
3500	3500 In-Lbs

5. Motor	
X	110/120VAC/1PH Place holder only - omit when at end of the part number
A	24VDC On/Off (includes motor reversing control card)
C	24VDC (DC motor only unless with 2 - Main Control option)
N	12VDC/VAC On/Off (Size 440 & 880 only) (includes motor reversing control card)
B	12VDC (DC motor only unless with 2 - Main Control option)
D	24VAC/1PH
E	220VAC/1PH

6. Secondary Control Options	
X	No options/Standard - Omit when at end of the part number
B	Semi-Integral Control
D	Local/Remote Control
E	RCT Electronic Speed Control ⁽¹⁾ (both directions standard)
F	AMI AC Motor Interface & Speed Control
G	AST Sequence Timer
HS1	High Speed
R	2-Wire Control ⁽¹⁾ (110 VAC control voltage)
S	2-Wire Control ⁽¹⁾ (24 VAC control voltage)
T	2-Wire Control ⁽¹⁾ (24 VDC control voltage)

7. Miscellaneous Options 1	
Blank	No designation, Actuator Series Standard
X	Multiple Option Designation
T	0-10VDC or 4-20mA Transmitter (On/Off)
N	1000 Ohm Potentiometer
G	General I/O Module (with TMC4 only, CF for options)
Y	180° Operation
Z	270° Operation

other options available upon request

⁽¹⁾ Use 10 Miscellaneous Options 2 to specify direction

8. Conduit Thread Options	
Blank	No designation, Actuator Series Standard
X	Multiple Option Designation
M	M20

9. Drive Bushing	
Blank	No designation, Actuator Series Standard
X	Multiple Option Designation

10. Miscellaneous Options 2	
Blank	No designation, Actuator Series Standard
X	Multiple Option Designation
L	CCW Operation
R	CW Operation
S	125 g Shock Configuration
P	Non Standard Coating Color

other options available upon request

HOW TO ORDER ELECTRIC ACTUATORS											
1	2	3	-	4	5	6	7	-	8	9	10
↓	↓	↓		↓	↓	↓	↓		↓	↓	↓
KE	M		-	440	X	X	X	-	X	-	C

Example

KEM-880

Triac Worm Drive Electric Actuator, Weather-Proof IP67, 880 In-Lbs Torque Output, 13 Sec Cycle Speed, 110VAC/1PH, 0.75 Rated Amps, Modulating Control, (2) Auxiliary Limit Switches, Heater & Thermostat, Diecast Aluminum Powder Coated Construction, Manual Override with Wrench, (2) 1/2" NPT Conduit Entries, F05, F07, F10 Mounting Pad, 0.669 (17MM) Star Output Drive



9955 International Blvd. PHONE (513) 247-5465
Cincinnati, Ohio 45246 FAX (513) 247-5462
www.atcontrols.com sales@atcontrols.com

WE_XE_XC_KE-20220808
Copyright 2013 A-T Controls, Inc.
LIT0021