

# SystempaK Multi-I/P Converter

Model KUX111 (Multi-I/P Converter)  
Model KUX118 (Converting Module)

## Introduction

Multi-I/P Converter (Model KUX 111) accommodates up to 8 units of converting modules, each of which converts an electrical current signal into a pneumatic pressure signal. The instruments are of a 2-wire type and are extremely compact. They are ideal for highly packed interfacing instruments for digital control systems.



## Standard Specifications

Item	Specifications
<b>Input Signal</b>	4~20mADC (Limit current: Approx. 30mA)
<b>Input Resistance</b>	300 ohms MAX.
<b>Output Signal</b>	0.2~1.0kgf/cm <sup>2</sup> {20~98kPa, 3~15psi, 0.2~1.0bar, 20~100kPa (Rated pressure: 2kgf/cm <sup>2</sup> {200kPa)
<b>Air Supply</b>	1.4kgf/cm <sup>2</sup> {140kPa $\begin{matrix} +30\% \\ -10\% \end{matrix}$
<b>Air Consumption</b>	4Nℓ/minute (per module) max.
<b>Max. Pneumatic Delivery</b>	20Nℓ/minute (per module)
<b>Max. Pneumatic Exhaust</b>	20Nℓ/minute (per module)
<b>Minimum Load</b>	ID 4mm copper pipe×3m+20m <sup>3</sup>
<b>Electrical Connection</b>	With binding screws (M3×6mm)
<b>Air Connection</b>	Rc $\frac{3}{4}$ , $\frac{1}{4}$ NPT, internal thread
<b>Ambient Temperature</b>	0 to 50°C
<b>Ambient Humidity</b>	10 to 90% RH
<b>Accuracy</b>	±0.25% FS
<b>Hysteresis Error</b>	0.15% FS
<b>Temperature Characteristics</b>	Zero shift: ±1% FS/25°C max. Span shift: ±1% FS/25°C max.
<b>Structure</b>	Indoor installation type
<b>Mounting</b>	Wall mount, 19" Rack mount (EIA, RS-310-B)
<b>Weights</b>	Multi-I/P Converter with 8 modules: Approx. 8.2kg Converting Module: Approx. 0.4kg

## Model Number Table

### 1) Multi-I/P Converter

Basic Model No.	Selections							Options	Description
	Power Supply	Input	Output	Connection	Module	Mounting	Environment		
KUX111	-X								Multi-I/P Converter
		1							None
			1						4~20mA DC
				1					0.2~1.0kgf/cm <sup>2</sup> {20~98kPa}
				2					3~15psi
				3					0.2~1.0bar
				4					20~100kPa
					A				Rc¼
					B				¼ NPT, internal thread
						0			File only
						1			File + 1 Converting Module
						2			File + 2 Converting Modules
						3			File + 3 Converting Modules
						4			File + 4 Converting Modules
						5			File + 5 Converting Modules
						6			File + 6 Converting Modules
						7			File + 7 Converting Modules
						8			File + 8 Converting Modules
							C		19-inch rack mount
							S		Wall mount
							X	Standard	
							A	For tropical service (Upon special order)	
							B	Corrosive atmosphere (Upon special order)	
							-X	No options	

### 2) Converting Module

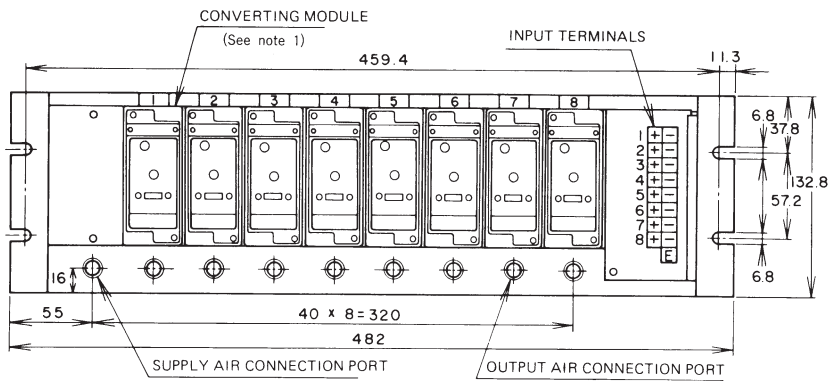
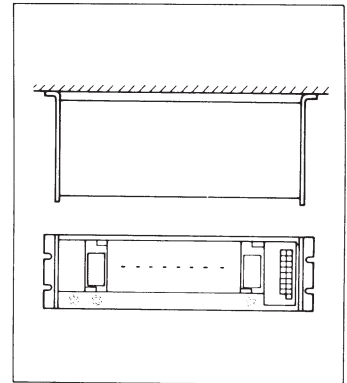
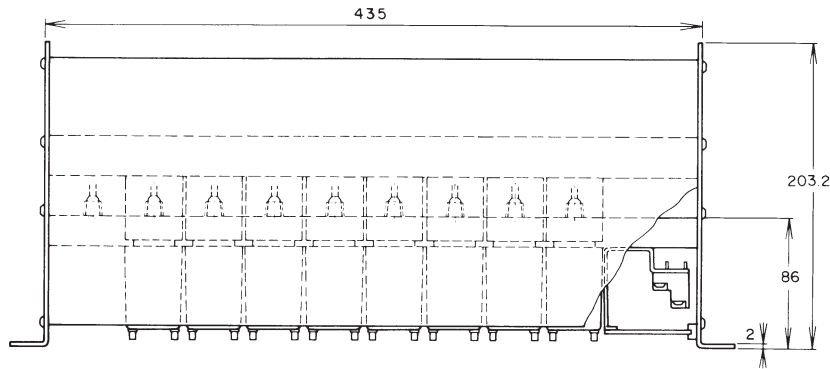
Basic Model No.	Selections				Options	Description
	Power Supply	Input	Output	Environment		
KUX118						Converting Module
	-X					None
		1				4~20mA DC
			1			0.2~1.0kgf/cm <sup>2</sup> {20~98kPa}
			2			3~15psi
			3			0.2~1.0bar
			4			20~100kPa
					X	Standard
					A	For tropical service (Upon special order)
					B	Corrosive atmosphere (Upon special order)
					-X	No options

# Dimension Drawing

(Unit: mm)

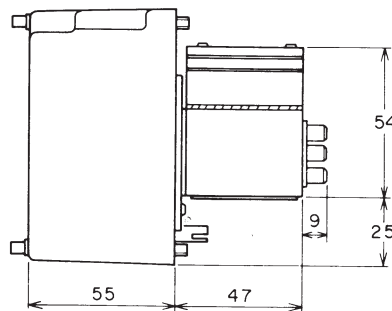
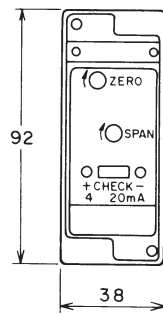
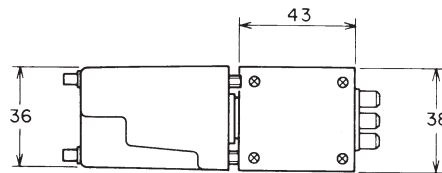
## 1) Multi-I/P Converter Rack-mount type (See note-3)

## Wall-mount type (See note-2 & 3)



- Notes:
- 1) The blind plate is attached to the place without Converting Module.
  - 2) Dimensions for wall-mount type are identical to those for rackmount type except the bracket for chassis is at the rear.
  - 3) Provide a space more than 200mm when more than two units are mounted upward and downward directions.

## 2) Converting Module



Please, read 'Terms and Conditions' from following URL before the order and use.

<http://www.azbil.com/products/bi/order.html>

*Specifications are subject to change without notice.*

**azbil**

---

**Azbil Corporation**  
Advanced Automation Company

1-12-2 Kawana, Fujisawa  
Kanagawa 251-8522 Japan  
URL: <http://www.azbil.com/>

4th edition: July 2015

*No part of this publication may be reproduced or duplicated without the prior written permission of Azbil Corporation.*