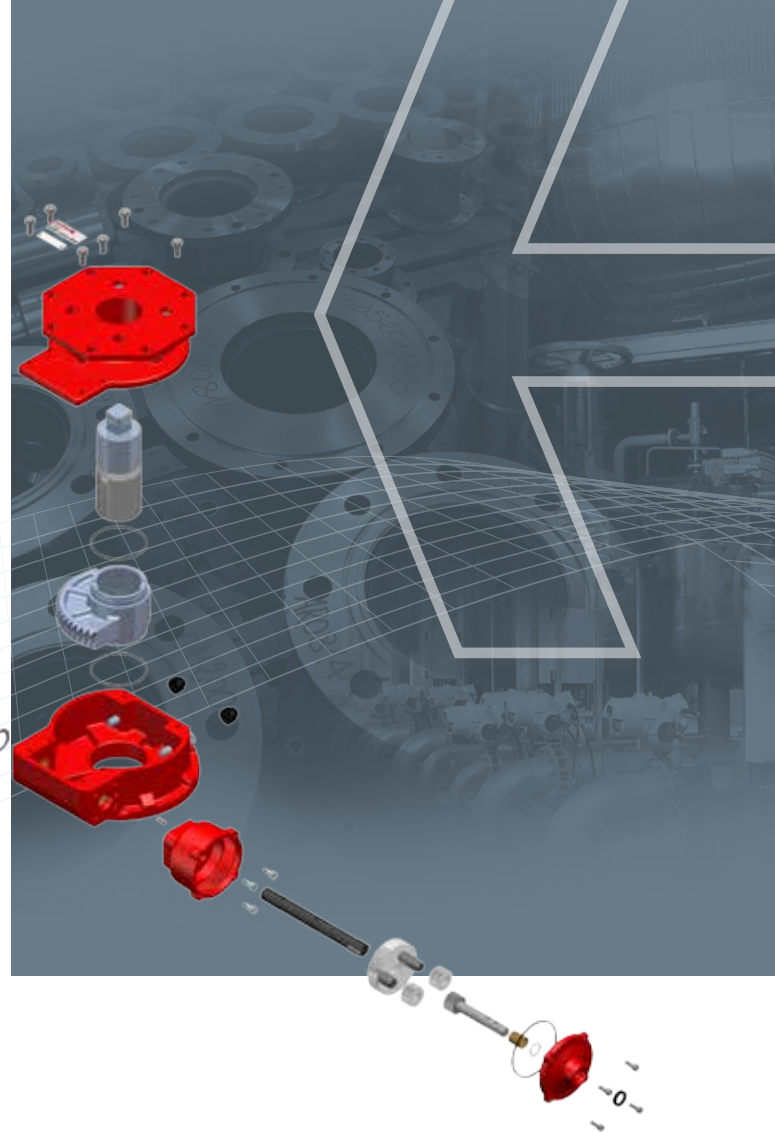


rotork®

Gears

ILG-S PR Series

Cast Iron Housing Manual
Override Gear Operators



ILG-S PR Series Gear Operators

The Rotork Gears Series 'ILG-S PR' gear operators are designed to provide a means of manually overriding pneumatic valve actuators in power and process applications. ILG-S PR are used for spring-return actuators only. This design features a 90° slotted key drive and does not utilize a disengagement mechanism.

Application

The Rotork Gears series 'ILG-S PR' operators are used in all industries where reliable manual operation of pneumatic spring-return actuators is required. All units mount between the valve and actuator and can be supplied with an ISO drive shaft.

Features

- Protected input shaft
- Cast iron housing
- Rugged construction
- Axial needle bearings
- Light weight
- Integral top flange and coupling piece.

Options

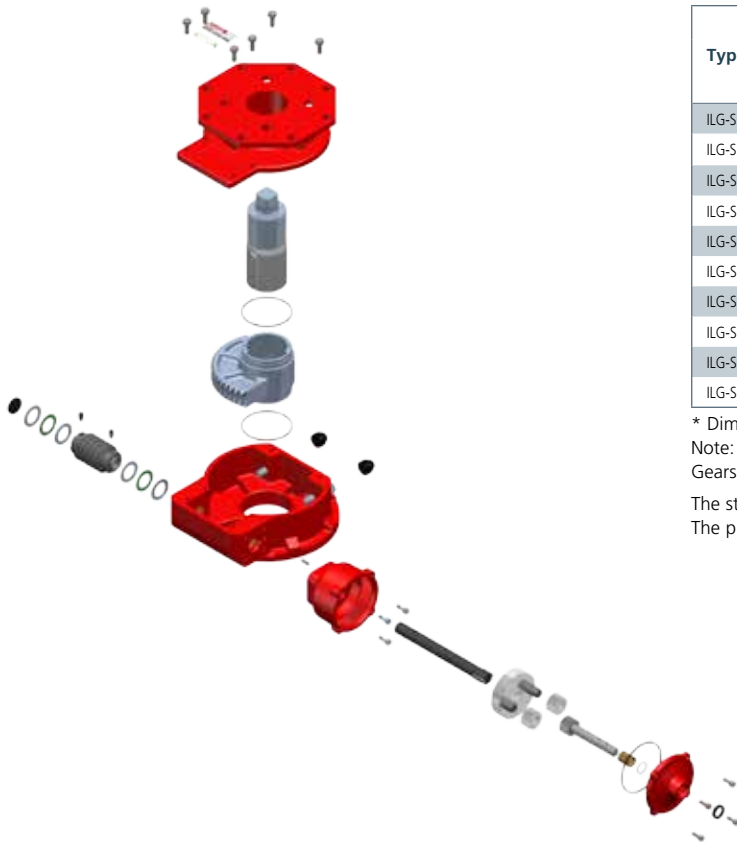
- IP67/IP68 Enclosure
- Stainless Steel input shafts
- High and low temperature ranges
- Padlock Flange
- Flexible Extensions.

Performance Specification

- Stroke: 0 - 90°
(± 5° adjustable)
- Enclosure: Sealed to IP65
Other enclosures are available on request.
- No. of Models: 10
- Torque Range:
2900 to 283,520 lbf.in
- Temperature:
-4 to +250 °F

Keeping the World Flowing

rotork® Gears



Type	Ratio	Torque lbf.in		M.A. ±15%	Weight lbs
		Output	Input		
ILG-S 210	37 : 1	2921	252	11.6	11 /*15
ILG-S 550	34 : 1	8270	686	12	22 /*29
ILG-S 880	38 : 1	14350	1100	13.2	31 /*37
ILG-S 1250	55 : 1	23380	1230	19	48 /*61
ILG-S 1950	52 : 1	27020	1418	19	77 /*105
ILG-S 1950/PR4	217 : 1	60180	912	66	86 /*114
ILG-S 6800/PR4	326 : 1	110634	1152	96	172 /*238
ILG-S 6800/PR6	468 : 1	150463	1075	140	172 /*238
ILG-S 200/PR10	729 : 1	230120	1096	210	332
ILG-S 250/PR10	729 : 1	283224	1259	225	504

* Dimensions if large base housing is used.

Note: Because of the company's policy of continuous improvement, Rotork Gears reserves the right to change specification details without prior notice.

The static safety factor is 1.5.

The published M.A. is achieved after a few cycles.



Material specification for Rotork ILG-S PR Series Gear Operators

No.	Description	Material	Notes
1	Set-screw	Carbon steel	DIN 915 / grade 12.9
2	Worm	Carbon steel	C45 / AISI 1045
3	Gasket	Liquid Seal	-
4	Needle bearing	Hardened steel	-
5	Bushing	E40	EGB
6	Oil-seal	Nitrile	NBR70
7	Shaft	Protected Steel	-
8	Grease	Renolit CLX2	-
9	Coupling	11SMn30C / S355JO	-
10	Coverplate	Cast Iron	GG25 / ASTM A48-40
11	Quadrant	Ductile Iron	GGG40 / ASTM D60-40-18
12	Body	Cast Iron	GG25 / ASTM A48-40
13	Gear	Carbon steel	C45 / AISI 1045
14	Carrier	Steel	EN / GB / T 699 GRADE 45

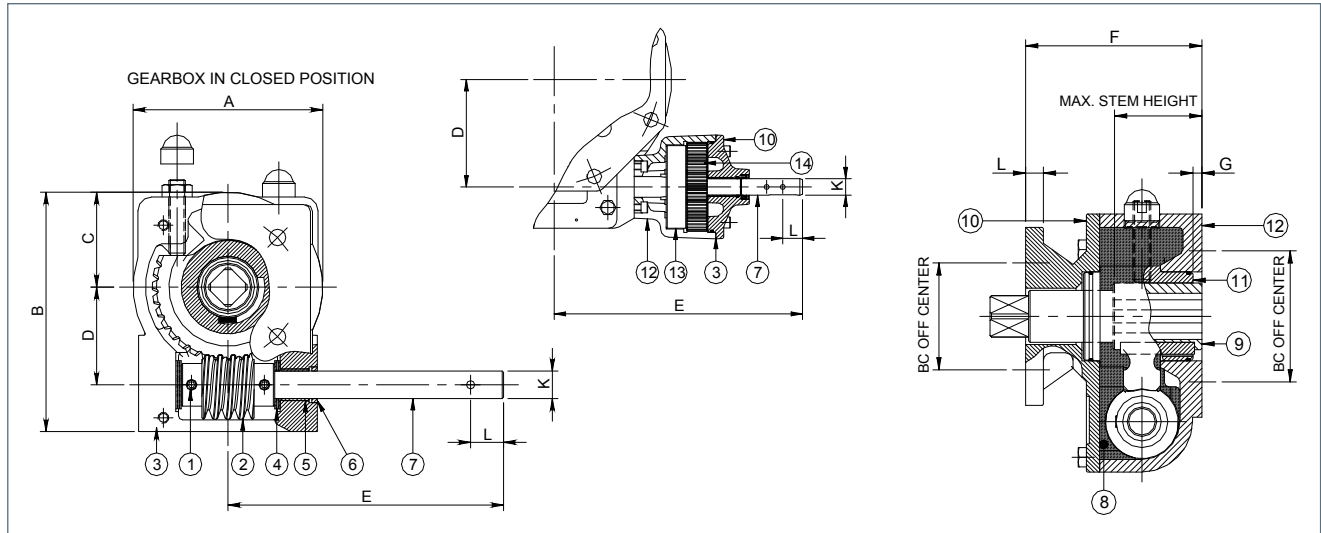
Note: Because of the company's policy of continuous improvement, Rotork Gears reserves the right to change specification details without prior notice.
Note: Ductile Iron housing is optional.

Keeping the World Flowing

ILG-S PR Series

Cast Iron Housing Manual Override Gear Operators

Gearbox ILG-S PR Series



Type	Actuator Connection	Maximum Shaft
ILG-S 210	Ø0.94	[]0.75
ILG-S 550	Ø1.42	[]1.06
ILG-S 880	Ø1.97	[]1.42
ILG-S 1250	Ø2.36	[]1.81
ILG-S 1950	Ø3.07	[]2.16
ILG-S 1950/PR4	Ø3.07	[]2.16
ILG-S 6800/PR4	Ø3.94	[]2.95
ILG-S 6800/PR6	Ø3.94	[]2.95
ILG-S 200/PR10	Ø5.91	[]3.94
ILG-S 250/PR10	Ø5.91	[]3.94

Type	Valve Connection	Max. Bore	Max. Stem Height
ILG-S 210	Ø0.79	[]0.67	1.34
ILG-S 550	Ø1.26	[]1.06	1.97
ILG-S 880	Ø1.57	[]1.26	2.68
ILG-S 1250	Ø1.77	[]1.42	3.11
ILG-S 1950	Ø2.28	[]1.81	4.09
ILG-S 1950/PR4	Ø2.28	[]1.81	4.09
ILG-S 6800/PR4	Ø2.56	[]2.17	4.61
ILG-S 6800/PR6	Ø2.56	[]2.17	4.61
ILG-S 200/PR10	Ø5.12	[]3.54	5.91
ILG-S 250/PR10	Ø5.12	[]3.54	5.91

Couplings are retained on the stem shaft not in the gearbox, please specify if required.

Type	A	B	C	D	E	F	G	ØK	L	Valve Connection	Act. Connection
ILG-S 210	4.02	5.12	1.96	2.05	6.26	3.33	0.20	0.59	0.55	FA05-FA07-FA10	FA05-FA07-FA10
ILG-S 210 LB	5.91	6.10	2.95	2.05	6.26	3.33	0.20	0.59	0.55	FA12	FA05-FA07-FA10
ILG-S 550	5.43	6.85	2.72	2.80	7.91	4.69	0.24	0.79	0.95	FA07-FA10-FA12-FA14	FA07-FA10-FA12
ILG-S 550 LB	8.27	8.27	4.13	2.80	7.91	4.69	0.24	0.79	0.95	FA16	FA07-FA10-FA12
ILG-S 880	7.87	8.90	3.94	3.39	7.44	5.16	0.31	0.79	0.95	FA10-FA12-FA14-FA16	FA10-FA12-FA14
ILG-S 880 LB	10.24	10.07	5.11	3.39	7.44	5.16	0.31	0.79	0.95	FA20	FA10-FA12-FA14
ILG-S 1250	8.66	10.16	4.33	4.11	9.06	5.87	0.31	0.79	0.95	FA10-FA12-FA14-FA16	FA12-FA14-FA16
ILG-S 1250 LB	11.22	11.44	5.63	4.11	9.06	5.87	0.31	0.79	0.95	FA25	FA12-FA14-FA16
ILG-S 1950	11.22	12.72	5.63	5.12	10.83	6.89	0.39	0.98	1.10	FA12-FA14-FA16-FA25	FA16-FA25
ILG-S 1950 LB	13.8	13.98	6.9	5.12	10.83	7.01	0.51	0.98	1.10	FA30	FA16-FA25
ILG-S 1950/PR4	11.22	12.72	5.63	5.12	11.85	6.89	0.39	0.79	0.95	FA12-FA14-FA16-FA25	FA16-FA25
ILG-S 1950/PR4 LB	13.8	13.98	6.9	5.12	12.95	7.01	0.51	0.79	0.95	FA30	FA16-FA25
ILG-S 6800/PR4	14.57	16	6.69	7.17	13.93	8.78	0.31	0.79	0.95	FA16-FA25-FA30	FA25-FA30
ILG-S 6800/PR4 LB	16.34	17.52	8.17	7.17	13.93	9.61	1.14	0.79	0.95	FA35	FA25-FA30
ILG-S 6800/PR6	14.57	16	6.69	7.17	13.93	8.78	0.31	0.79	0.95	FA16-FA25-FA30	FA25-FA30
ILG-S 6800/PR6 LB	16.34	17.52	8.17	7.17	13.93	9.61	1.14	0.79	0.95	FA35	FA25-FA30
ILG-S 200/PR10	17.32	19.35	8.17	8.23	14.74	11.57	0.39	0.79	0.95	FA25-FA30-FA35	FA25-FA30-FA35
ILG-S 250/PR10	20.08	23	9.25	10.08	16.32	11.57	0.39	0.79	0.95	FA25-FA30-FA35-FA40	FA25-FA30-FA35

All dimensions in inches. *Flange thickness from the ILG-S 200/PR10 & ILG-S 250/PR10 changes per application.

Handwheel Selection Chart

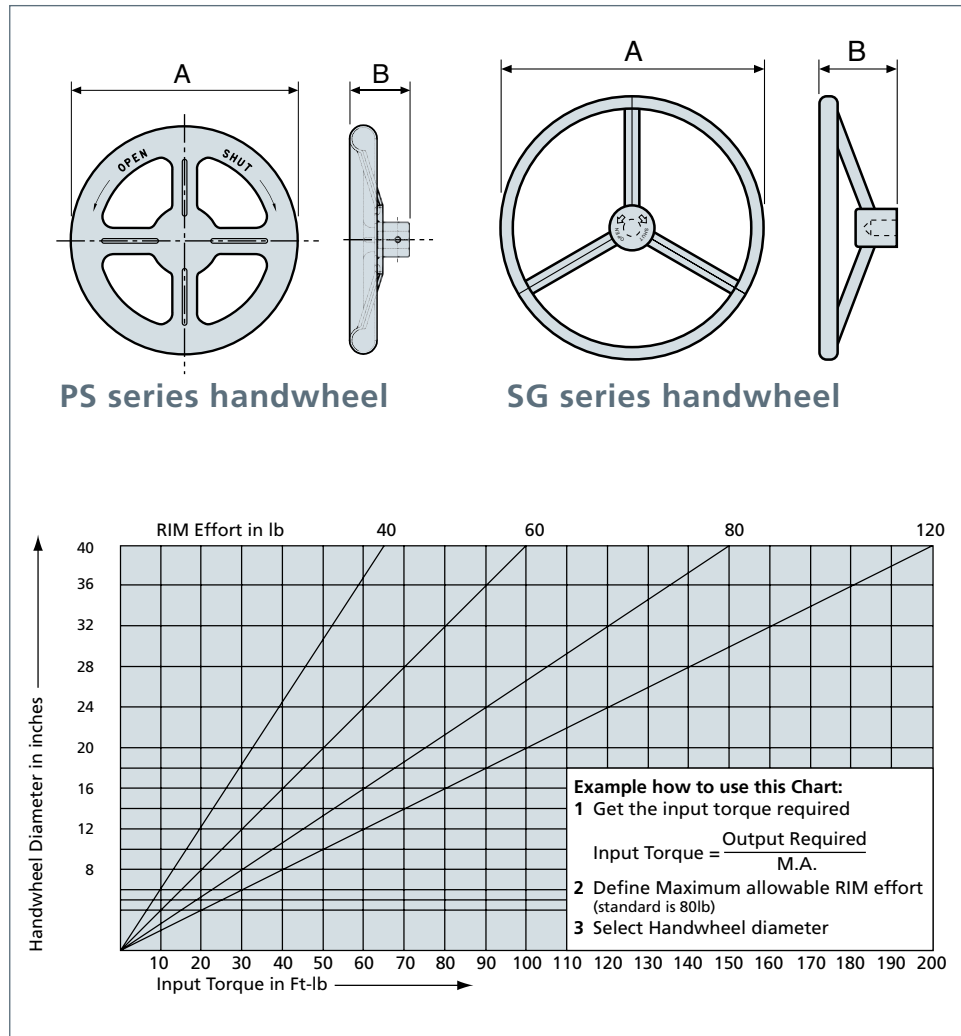
Input Torque

Type	M.A. ± 15%
ILG-S 210	11.6
ILG-S 550	12
ILG-S 880	13.2
ILG-S 1250	19
ILG-S 1950	19
ILG-S 1950/PR4	66
ILG-S 6800/PR4	96
ILG-S 6800/PR6	140
ILG-S 200/PR10	210
ILG-S 250/PR10	225

Dimensions

Type	A	B
PS100-12	Ø4	1,38
PS125-12	Ø5	1,34
PS125-15		1,89
PS160-12	Ø6	1,89
PS160-15		1,93
PS200-12	Ø8	2,00
PS200-15		2,05
PS200-20		2,48
PS250-12	Ø10	2,48
PS250-15		2,48
PS250-20		2,76

Type	A	B
SG200	Ø8"	3,15"
SG250	Ø10"	4,33"
SG300	Ø12"	4,53"
SG350	Ø14"	4,72"
SG400	Ø16"	5,12"
SG450	Ø18"	5,91"
SG500	Ø20"	5,91"
SG600	Ø24"	5,91"
SG700	Ø28"	5,91"
SG800	Ø32"	5,91"
SG900	Ø36"	6,30"
SG1000	Ø40"	6,30"



Rotork Gears UK
9 Brown Lane West
Holbeck
Leeds
West Yorkshire LS12 6BH
England

tel +44 (0)113 2567922
email sales@rotorkgears.com

Rotork Gears BV
Nijverheidstraat 25
7581 PV Losser
P.O. Box 98
7580 AB Losser
The Netherlands

tel +31 (0)53-5388677
fax +31 (0)53-5383939
email info@rotorkgears.nl

Rotork Gears Americas
1811 Brittmoore
Houston
Texas 77043
USA

tel +1 713 983 7381
fax +1 713 856 8022
email gears@rotorkgears.com

Rotork Gears Shanghai
No. 260 Lian Cao Road
Xin Mei Urban Industrial Park
Min Hang District
Shang Hai 201108
China

tel +86-21-33236200
fax +86-21-64348388
email info@rotorkgears.com.cn

Rotork Gears S.R.L.
Viale Europa 17
20090 Cusago (MI)
Italy

tel +39 0290 16711
fax +39 0290 390368
email rgsrl.sales@rotork.com

Rotork Gears India
165/166, Bommasandra,
Jigani Link Road,
Kiadb Industrial Area,
Anekal Thaluk, Jigani Hobli,
Bangalore 562106

tel +91 80 3098 1600
fax +91 80 3098 1610
email sales@rotork.co.in

Rotork Valvekits
Brookside Way
Nunn Park
Huthwaite
Nottinghamshire NG17 2NL
England

tel +44 (0)1623 440211
fax +44 (0)1623 440214
email sales@rotorkvalvekits.com

Rotork Valvekits Americas
501 South 12th Street
Broken Arrow, OK
74102
USA

tel +1 (918) 259-8100
fax +1 (918) 259-9167
email usasales@rotorkvalvekits.com

Roto Hammer Industries
2804 W. 40th St.
Tulsa, Oklahoma
74107
USA

tel +1 918 446 3500
fax +1 918 446 6218
email sales@rotohammer.com

A full listing of our worldwide sales and service network is available on our website at

www.rotork.com