

Sump Drainer

The "PIT BOSS"

PMPSP
Sump Drainer

Condensate
Pumps



PMPSP



PMPSP

Model	PMPSP/PMPSP
Body	Carbon Steel
Cover	Ductile Iron
Check Valves	Stainless Steel
PMO Max. Operating Pressure	150 PSIG
TMO Max. Operating Temperature	366°F
PMA Max. Allowable Pressure	150 PSIG @ 650°F

Typical Applications

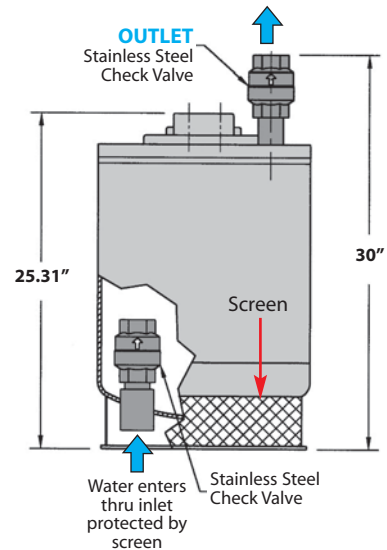
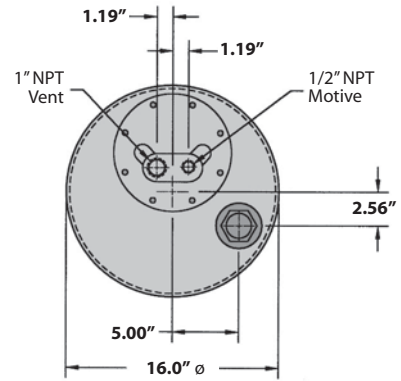
The **PMPSP** Sump Drainer uses the same internal mechanism as the standard PMP models. The piping configuration is such that the liquid is discharged vertically out the top as opposed to horizontally out the side. This allows the unit to be easily positioned inside of a sump area. Condensate or water from the sump enters the tank through a stainless steel low resistance check valve. This unit is capable of operating with a maximum motive pressure of 150 PSIG using steam, air, nitrogen or other pressurized gas as the motive force.

Features

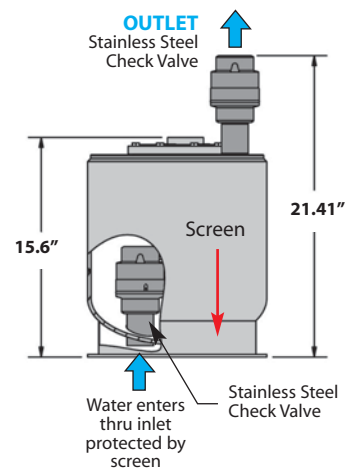
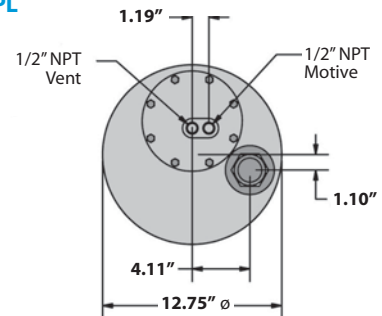
- Equipped with our **Patented "Snap-Assure"** Mechanism which **extends the useful life of the pump**
- Mechanism incorporates **heat-treated stainless steel wear items** for ultimate corrosion resistance
- Dual compression springs made from Inconel-X-750 for high-temperature corrosive service
- Operates using steam, air, nitrogen or other pressurized gas as the motive force
- **Non-Electric** – can be used in remote locations or NEMA 4, 7, 9 and hazardous areas
- Built-in Strainer screen

Snap-Assure U.S. Patent No. 6572340

PMPSP



PMPSP



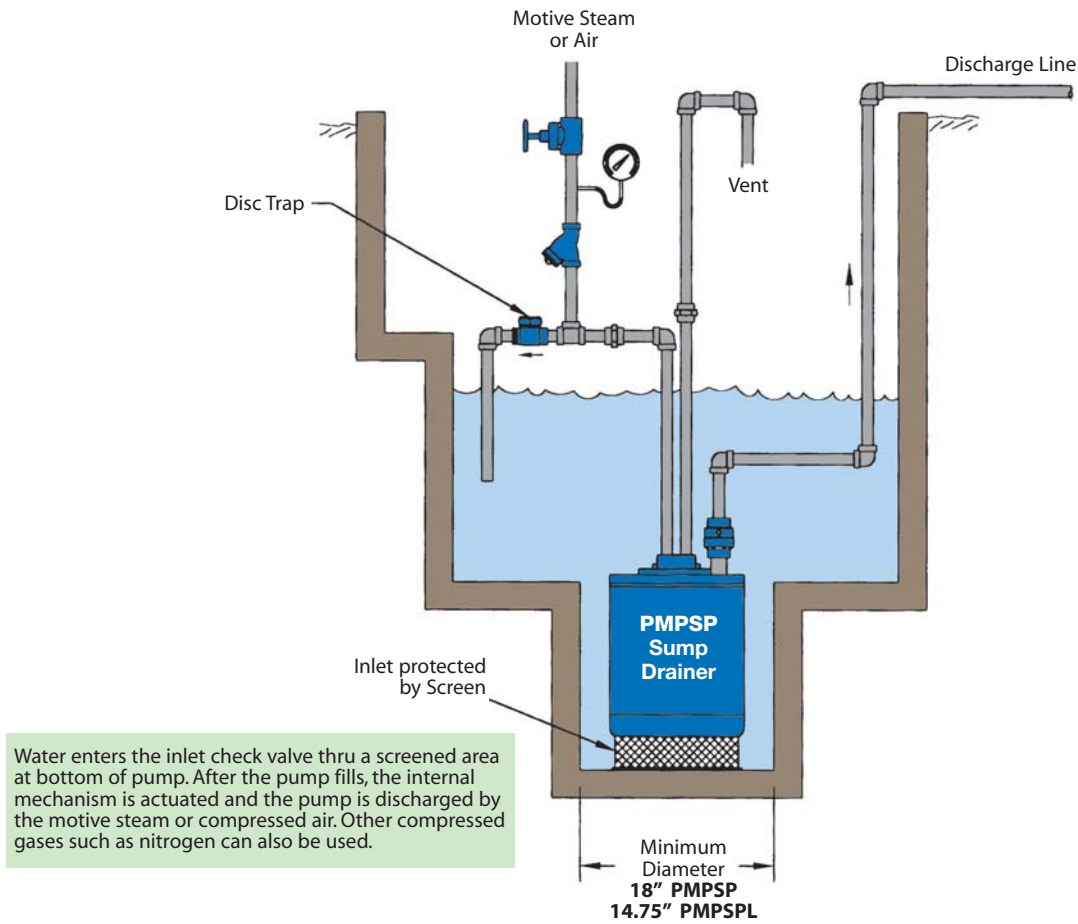
Sump Drainer

The "PIT BOSS"

PMPSP

Sump Drainer

Typical PMPSP Piping Configuration



Condensate Pumps

PMPSP & PMPSP-L

PUMP CAPACITIES – Water (GPM)					
Motive Pressure (PSIG)	Total Back Pressure (PSIG)	PMPSP-L 1 1/2"	PMPSP-1 1 1/2"	PMPSP-2 2"	PMPSP-3 2"
10	0	2.8	11.7	22.2	35
20	10	3.1	9.2	17.5	22
20	0	3.3	12.5	23.7	30
40	20	3.2	8.7	16.5	21
40	10	3.4	10.4	19.8	25
40	0	3.5	13.1	25	31.4
70	40	3.2	7.1	12.1	17
70	20	3.4	9.4	15	22.5
70	0	3.6	12.9	20.6	31
100	70	3.2	5.4	8.6	10.8
100	40	3.4	7.5	12	15
100	20	3.4	9.4	15	18.8
100	0	3.5	12.3	19.7	24.6
150	100	-	4.5	7.2	9
150	70	-	5.7	9.1	11.4
150	40	-	7.2	11.5	14.4
150	20	-	8.8	14	17.6
150	10	-	9.5	15.2	19
150	0	-	10.7	17.1	21.4

Size/Connection (Outlet) NPT	Model Code	PMO PSI	Weight lbs
1 1/2"	PMPSP-L	150	110
1 1/2"	PMPSP-1	150	230
2"	PMPSP-2	150	270
2"	PMPSP-3	150	290