

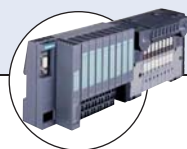


Type 8750 can be combined with...



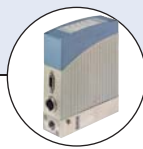
System ELEMENT

Valve system



Type 8644

Valve island



MFC 8712

Mass Flow Controller



Type 8400

Temperature sensor

Flow Rate Controller, flow control system for gases

- Reliable and robust system
- Reduced interfaces
- Orifice plate and actuator in one
- Easy operation
- Fit for stand-alone operation

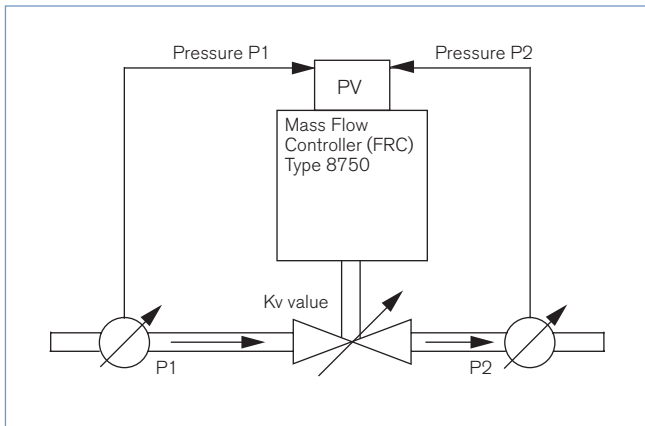
The flow rate controller, Type 8750, is a system to measure and control gases using the differential pressure principle. The reliable and robust system consists of an ELEMENT continuous control valve, Type 2301, with the compact process controller Type 8693 and two pressure transmitters, Type 8323. These components are supplied within an assembled system including a special body.

The Bürkert flow rate controller does not need a separate flow meter. The control valve serves as orifice plate. From the pressure difference across the valve and the given density and temperature a nominal flow can be calculated. Therefore the flow characteristics of the valve are given to the process controller. The volume flow can then be adjusted by changing the stroke of the control valve. So all components of the control loop build an integrated system.

The flow rate controller offers a high repeatability and large measuring range. With the combination of orifice plate and control valve the pressure drop is reduced in comparison to conventional solutions. With the variable orifice of the control valve the measurement range is increased. Low assembly costs and easy commissioning are further advantages of this unique system.

Technical Data	
Complete system	
Port size	DN15 to 100
Media	Air, Nitrogen, Carbondioxide, other gases
Media temperature	0 to 80 °C
Ambient temperature	0 to 55 °C
Control media	Instrument air acc. to DIN ISO 8573-1
Supply pressure	5.6-7 bar
Pilot air ports	Threaded ports G 1/8 stainless steel
Process connection	Flange connection acc. to DIN EN 1092-1 other connections on request
Process controller	
Power supply	24 V DC +/- 10%
Ripple	10%; no technical direct current
Electrical connection	Power supply: circular connector M12x1, 4-pins In/output signal: circular connector M12x1, 8-pins / Bus Internal: circular connector M8x1, 4-pins
Protection class	IP65 / IP67 acc. to EN 60529
Bus communication	Profibus DPV1, DeviceNet
Pressure transmitter	
Measurement range	0-100 mbar to 0-16 bar (standard: 0-10 bar)
Measurement principle	Piezoresistive
Measurement error	<= 0,5% of full scale
Materials	
Body	Stainless Steel
Actuator housing	PPS, Stainless Steel
Process controller	PPS, Stainless Steel
Pressure transmitter housing	Stainless Steel
Seal Seat	PTFE, Stainless Steel on request
Packing	PTFE-V-Seals
Sensor body	Stainless steel

FRC Schematic



Determination of k_v values

Pressure drop	k_v value for gas [m ³ /h]
Subcritical $p_2 > \frac{p_1}{2}$	$= \frac{Q_N}{514} \sqrt{\frac{T_1 \rho_N}{p_2 \Delta p}}$
Supercritical $p_2 < \frac{p_1}{2}$	$= \frac{Q_N}{257 p_1} \sqrt{T_1 \rho_N}$

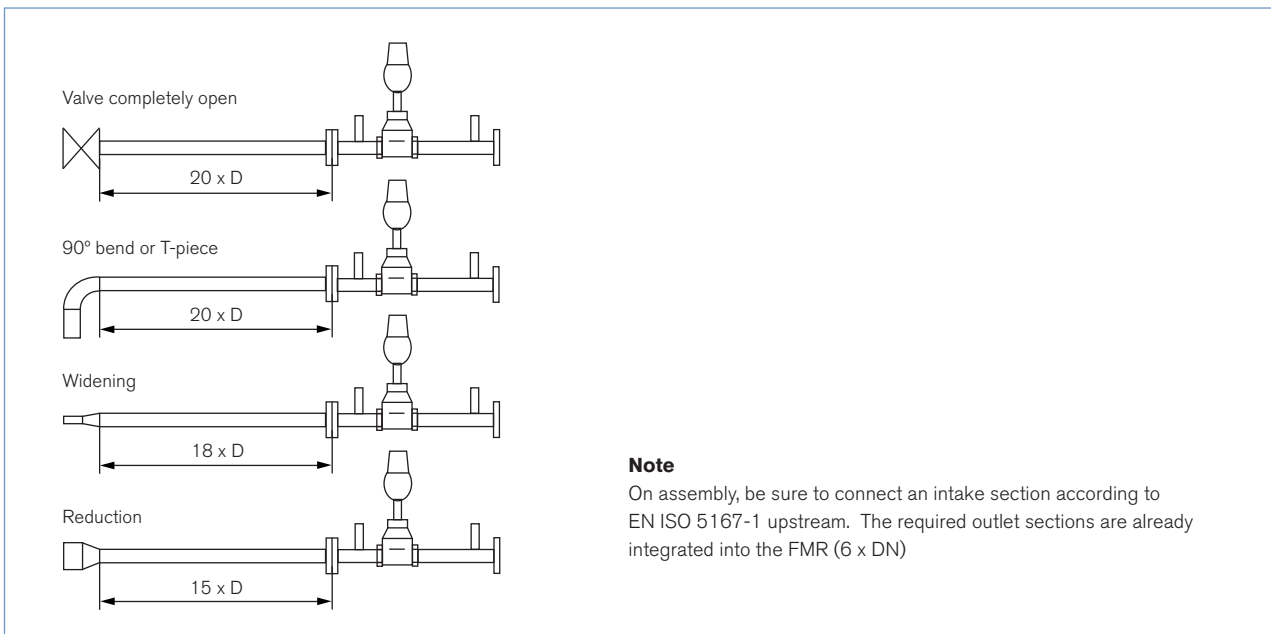
- k_v Flow coefficient [m³/h)⁶⁾
- Q_N Standard flow rate [m³/h)⁷⁾
- p_1 Inlet pressure [bar)⁸⁾
- p_2 Outlet pressure [bar)⁸⁾
- Δp Differential pressure $p_1 - p_2$ [bar]
- ρ Density [kg/m³]
- ρ_N Standard density [kg/m³]
- T_1 Temperature of medium [(273+t)K]

⁶⁾ measured for water at 20°C, $\Delta p = 1$ bar, via the device

⁷⁾ Standard conditions at 1.013 bar and 0 °C (273K)

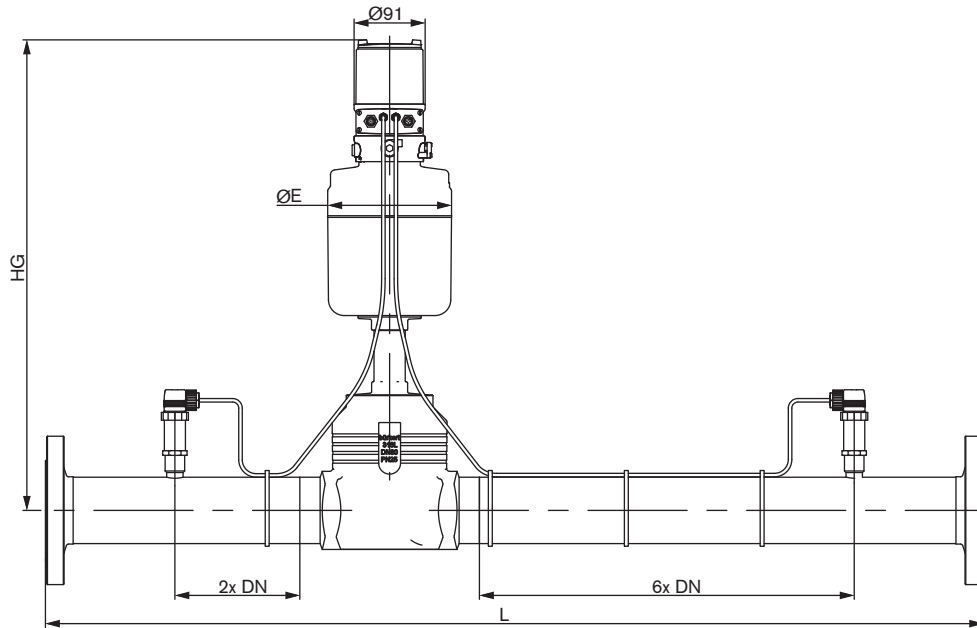
⁸⁾ Absolute pressure

Intake section according to EN ISO 5167-1



For highest precision consider the intake sections according to EN ISO 5167-1, the outlet section is integrated in the body .

Dimensions [mm]



DN (Port connection) [mm]	Actuator size	L[mm]	HG[mm]	Ø E[mm]
15	Ø70	330	383	91
25	Ø70	500	392	91
40	Ø90	700	478	120
50	Ø130	800	536	159
65	Ø130	1000	590	159
80	Ø130	1200	598	159
100	Ø130	1400	608	159

Ordering chart for valves

Flange acc. to DIN EN 1092-1, PTFE seal

Port size [mm]	Seat DN [mm]	Actuator size	Kvs value	Pressure range	Air flow rate at p1=6 and p2=3 bar(g)		Item no.
					Qmax [Nm ³ /h]	Qmin [Nm ³ /h]	
DN15	15	M (70mm)	4.3	0 - 10 bar	350	20	280 436
DN25	25	M (70mm)	12.0	0 - 10 bar	900	40	280 437
DN40	40	N (90mm)	17.5	0 - 10 bar	1300	70	280 438
DN50	50	P (130mm)	37.0	0 - 10 bar	2900	120	280 439
DN65	65	P (130mm)	65.0	0 - 10 bar	5500	200	280 440
DN80	80	P (130mm)	100	0 - 10 bar	8500	350	280 441
DN100	100	P (130mm)	140	0 - 6 bar	12000	500	280 442

¹⁾ Kvs represents the maximum flow capacity of a control valve series. The Kv value [m³/h] is measured to DIN EN 60534-2-3 with water (5 - 40 °C) and a pressure drop of 1 bar over the valve.

²⁾ The air flow rates mentioned above are given as a reference. The values refer to air with a temperature of 20 °C. The condition for the min. and max. limits is determined at 10 and 90% positions and turbulent air flow.

Note

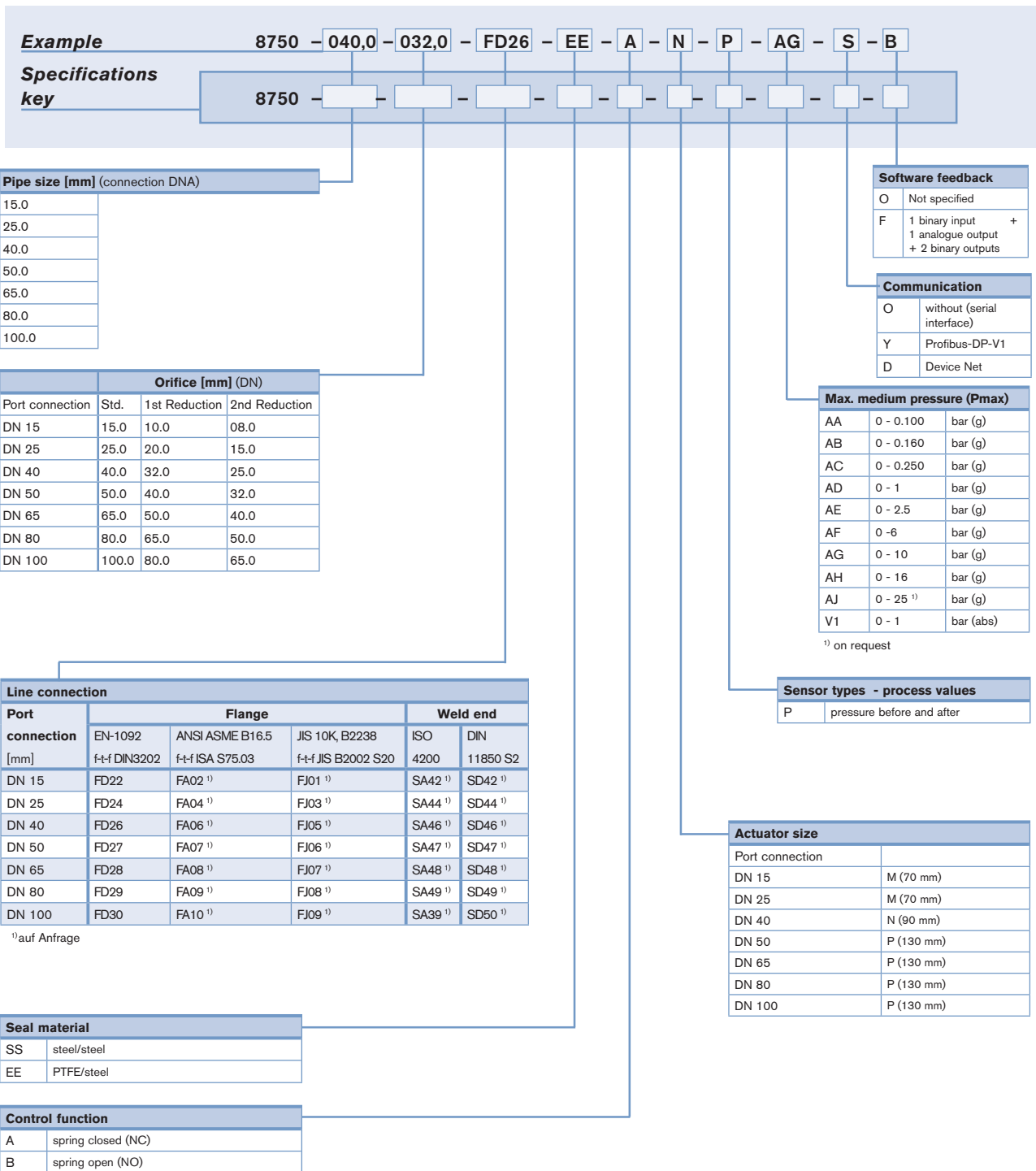
Please ask for advice when sizing the flow rate controller FRC. Contact your local sales centre



Further versions on request

- Port connection
- Seat reductions
- Reduced pressure range
- Sealing Steel/Steel
- Communication via Fieldbus

Specification code for Flow Controller Type 8750



Note

You can fill out the fields directly in the PDF file before printing out the form.

Specification sheet for Type 8750

▶ Please fill out and send to your local Bürkert Sales Centre* with your inquiry or order

Company	Contact person
Customer no.	Department
Address	Tel./Fax
Postcode/Town	E-Mail

= mandatory fields to fill out Quantity Required delivery date

Operating data

Site of control

Measuring and control task

Pipeline DN PN

Pipe material

Process medium

Type of media Gas

Standard density Kg/Nm³

	Min	Standard	Max	Unit
<input checked="" type="checkbox"/> Flow rate (QN [Nm ³ /h]) ²⁾	<input type="text"/>	<input type="text"/>	<input type="text"/>	<input type="text"/>
<input checked="" type="checkbox"/> Temperature at valve inlet T1	<input type="text"/>	<input type="text"/>	<input type="text"/>	<input type="text"/>
<input checked="" type="checkbox"/> Absolute pressure at valve inlet P1	<input type="text"/>	<input type="text"/>	<input type="text"/>	<input type="text"/>
<input checked="" type="checkbox"/> Absolute pressure at valve outlet P2	<input type="text"/>	<input type="text"/>	<input type="text"/>	<input type="text"/>

²⁾ standard unit
Liquid Q = m³/h; Steam W = Kg/h; Gas QN = Nm³/h

Valve features

Standard connection (flange) DIN ANSI JIS other Versions

Seat sealing material Metal PTFE

Function NC ³⁾ NO ³⁾

Max. sound level accepted dB (A)

Pilot pressure min. max.

³⁾ NC: resting position with spring closed; SFB: resting position with spring open

Controller features

Communication

Analogue signals for setpoint/output

Input 0/4 - 20 mA / 0 - 5/10V + 1 Binary input

Output 0/4 - 20 mA / 0 - 5/10V + 2 Binary output

or

Fieldbus

Profibus DP-V1

Device Net

Pressure measurement

Measuring range

0 - 100 mbar

0 - 160 mbar

0 - 250 mbar

0 - 1 bar

0 - 2.5 bar

0 - 6 bar

0 - 10 bar

0 - 16 bar

0 - 25 bar

0 - 1 bar (absolute)

other range
max. media pressure: bar

*To find your nearest Bürkert facility, click on the orange box → www.burkert.com