



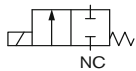
## 2/2- and 3/2-way Rocker Solenoid Valve

- 22 mm ultra compact design with orifices up to DN 3.0
- Isolating diaphragm for high chemical resistance
- Circuit function NC, NO and 3-way universal
- Back pressure tightness via rocker principle
- Minimal internal volume with excellent cleanability

Direct acting medium separated 2/2- and 3/2-way Rocker Solenoid Valve for control of aggressive fluids and gases in analytical medical applications, the food industry, and also the chemical industry for dosing, filling, mixing and distribution.

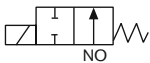
The medium is in contact with fluid housing and seal material solely through the isolating diaphragm. This valve with the new TwinPower-actuator, robust screw-in connection and 22 mm installation width, will fulfil the highest requirements. The established rocker solenoid technology is characterized through full back pressure tightness, good rinsing capability and low internal volume. Type 6628 is available in different technical versions and by virtue of several body options, it offers a perfect adaptation in fluid applications.

### Circuit function A



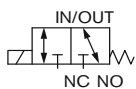
2/2-way valve,  
direct acting,  
normally closed

### Circuit function B



2/2-way valve,  
direct acting,  
normally open

### Circuit function T

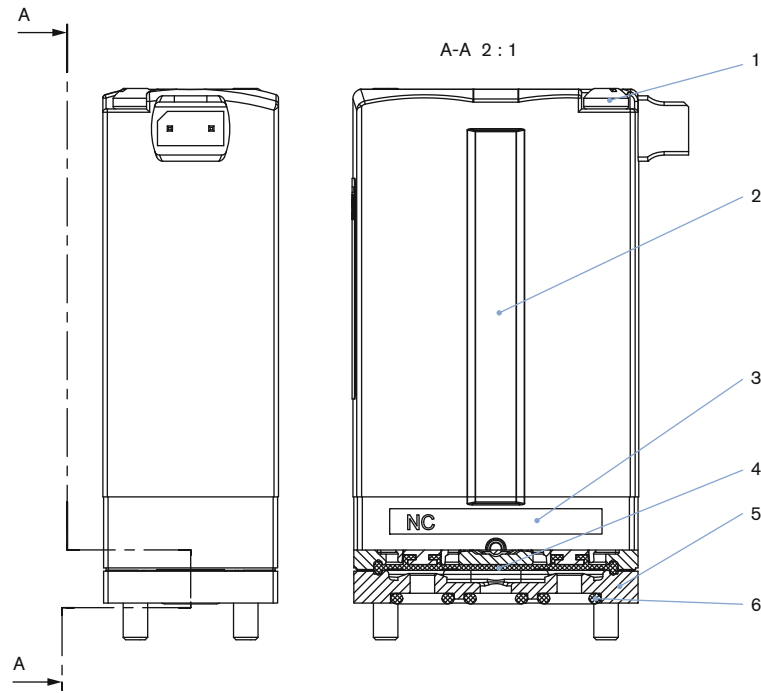


3/2-way valve,  
direct acting,  
universal function

Other circuit functions on request.

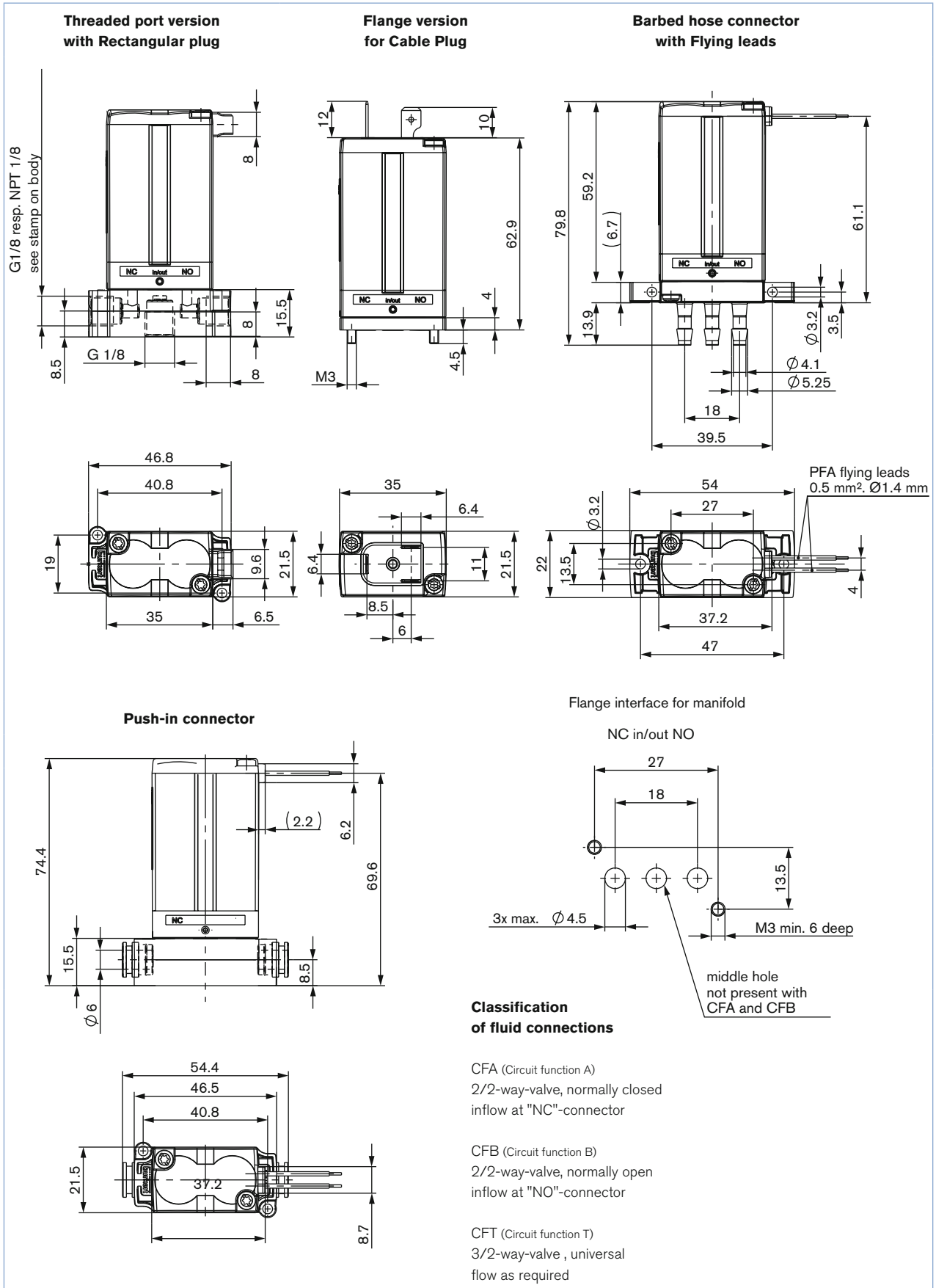
Technical Data	
<b>Orifice</b>	DN 2.0 or 3.0 mm
<b>Body material</b>	PEEK, PPS or PVDF (PP on request)
<b>Seal material</b>	FFKM, FKM or EPDM
<b>Medium</b>	Resistant to neutral and aggressive gases and liquids acc. to our chemical resistance chart
<b>Medium temperature</b>	
FKM	0 to +55 °C
FFKM	+10 to +55 °C
EPDM	-10 to +55 °C
<b>Ambient temperature</b>	
FKM	0 to +55 °C
FFKM	+10 to +55 °C
EPDM	-10 to +55 °C
<b>Internal volume</b>	approx. 200 µl
<b>Viscosity</b>	max. approx. 21 mm <sup>2</sup> /s
<b>Port connection</b>	<ul style="list-style-type: none"> <li>▪ Bürkert-Flange (22 x 35 mm)</li> <li>▪ G 1/8</li> <li>▪ NPT 1/8</li> <li>▪ Barbed hose connector 4 mm (5/32")</li> <li>▪ Push-in connector (tube's external diameter 6 mm)</li> </ul>
<b>Electrical connection</b>	<ul style="list-style-type: none"> <li>▪ PFA single flying leads, 0,5 mm<sup>2</sup>, 500 mm</li> <li>▪ Rectangular plug for cable plug Type 2505</li> <li>▪ Industry plug acc. to DIN 43650 Form B for cable plug Type 2507 on request</li> <li>▪ circular connector M8 on request</li> </ul>
<b>Power supply</b>	12 V DC, 24 V DC Other voltages on request
<b>Voltage tolerance</b>	±10%
<b>Power consumption</b>	5 W
<b>Duty cycle</b>	100% continuous operation
<b>Installation</b>	As required, preferably with actuator upright
<b>Protection class</b>	IP 54 (IP30 with rectangular plug Type 2505)
<b>Response times</b>	Measurement at valve output with 2 bar and 20 °C acc. to DIN ISO 12238:2001
opening	25 ms (pressure build-up 0-10%)
closing	25 ms (pressure build-up 100-90%)
<b>Manual override</b>	on request

## Materials

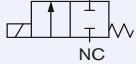


	Description	Material
1	Fixing screw (from end to end)	Stainless steel
2	Coil	Epoxy
3	Valve body	PPS
4	Diaphragm (Medium contact)	FFKM, FKM or EPDM
5	Fluid housing (Medium contact)	PEEK, PPS or PVDF (PP on request)
6	Flange seal (Medium contact)	FFKM, FKM or EPDM

Dimensions [mm]

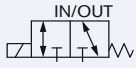


## Ordering chart

Circuit function	Orifice [mm]	Port connection	Kv value water [m <sup>3</sup> /h]	Q <sub>yn</sub> value air [l/min]	Pressure range [bar]	Max. pressure difference [bar]	Seal material	Body material	Electrical connection	Voltage/Frequency [V/Hz]	Item no.																
<b>A</b>  2/2-way valve, direct acting, normally closed	2	Bürkert-Flange	0.1	110	Vac-5	5	EPDM	PPS	Rectangular plug	24/DC	250 857																
									Flying leads, 500 mm		12/DC	251 614															
									Rectangular plug	24/DC	246 199																
									Flying leads, 500mm		242 030																
									Plug top		251 643																
									Flying leads, 500 mm		251 613																
	3	Hose connector	0.17	180	Vac-3	3	PEEK	PPS	Plug top	24/DC	236 170																
									Flying leads, 500 mm		251 644																
									G 1/8	0.1	110	110	Vac-5	5	FKM	PPS	Rectangular plug	24/DC	251 618								
																	Flying leads, 500 mm		12/DC	251 620							
																	Bürkert-Flange	0.17	180	180	Vac-3	3	PEEK	PPS	Rectangular plug	24/DC	246 382
																									Flying leads, 500mm		248 017
	Plug top	251 624																									
	Flying leads, 500 mm	238 616																									
	Hose connector	G 1/8	0.17	180	Vac-3	3	PEEK	PPS	Plug top	24/DC	251 628																
									Flying leads, 500 mm		242 340																
									Push-in connection	0.17	180	180	Vac-3	3	PEEK	PPS	Plug top	24/DC	238 615								
																	Flying leads, 500mm		251 650								
2																	Bürkert-Flange	0.1	110	Vac-5	5	FFKM	PEEK	Rectangular plug	24/DC	235 315	
																								Flying leads, 500 mm		12/DC	234 350
	3	Hose connector	0.17	180	Vac-3	3	FFKM	PVDF																Rectangular plug	24/DC	235 316	
																										PVDF	270 082
									G 1/8	0.17	180	180	Vac-3	3	FFKM	PEEK								Rectangular plug		24/DC	235 317
																											PVDF
Push-in connection																	0.17	180	180	Vac-3	3	FFKM	PEEK	Flying leads, 500 mm	24/DC	230 304	
																										PVDF	270 081
	3	Bürkert-Flange	0.17	180	Vac-3	3	FFKM	PEEK																Flying leads, 500 mm	24/DC	235 318	
																										PVDF	235 319
									G 1/8	0.17	180	180	Vac-3	3	FFKM	PEEK								Flying leads, 500 mm	24/DC	235 319	
																										PVDF	235 319
3																	Bürkert-Flange	0.17	180	Vac-3	3	FFKM	PEEK	Flying leads, 500 mm	24/DC	251 686	
																										PVDF	251 686
	G 1/8	0.17	180	180	Vac-3	3	FFKM	PEEK																Flying leads, 500 mm	24/DC	251 686	
																										PVDF	251 686

- Kv-value water [m<sup>3</sup>/h] max. flow rate for water measured at +20 °C, 1 bar pressure to atmosphere
- Rectangular plug types delivered without plug (see ordering chart for accessories)

## Ordering chart, continued

Circuit function	Orifice [mm]	Port connection	Kv value water [m <sup>3</sup> /h]	Q <sub>v</sub> value air [l/min]	Pressure range [bar]	Max. pressure difference [bar]	Seal material	Body material	Electrical connection	Voltage/Frequency [V/Hz]	Item no.		
<b>T</b>  3/2-way valve, direct acting, universal function	2	Bürkert-Flange	0.1	110	Vac-5	5	EPDM	PPS	Rectangular plug	24/DC	250 859		
									Flying leads, 500 mm		12/DC	241 889	
											241 726		
			3	Hose connector	0.17	180		Vac-2	2	PEEK	Rectangular plug	24/DC	251 616
											Flying leads, 500mm		245 256
											Plug top	251 645	
	3	G 1/8	0.17	180	Vac-2	2	PEEK	Flying leads, 500 mm	24/DC	251 617			
								Plug top		245 205			
										251 647			
			2	Bürkert-Flange	0.1	110	Vac-5	5	FKM	PPS	Rectangular plug	24/DC	251 629
											Flying leads, 500 mm		12/DC
													251 633
	3	Hose connector	0.17	180	Vac-2	2	FKM	PPS	Rectangular plug	24/DC	251 634		
									Flying leads, 500mm		251 635		
									Plug top	251 684			
			3	G 1/8	0.17	180	Vac-2	2	PEEK	Flying leads, 500 mm	24/DC	251 637	
										Plug top		251 638	
												251 649	
	3	Push-in connection	0.17	180	Vac-2	2	PEEK	PPS	Flying leads, 500mm	24/DC	251 685		
												251 685	
											251 685		
			2	Bürkert-Flange	0.1	110	Vac-5	5	FFKM	PEEK	Rectangular plug	24/DC	235 320
											Flying leads, 500 mm		12/DC
													235 321
3	Hose connector	0.17			180	Vac-2	2	FFKM	PVDF	Rectangular plug	24/DC	235 322	
													270 080
												230 305	
3	G 1/8	0.17	180	Vac-2	2	FFKM	PEEK	Flying leads, 500 mm	24/DC	270 078			
											235 323		
										235 325			


- Kv-value water [m<sup>3</sup>/h] max. flow rate for water measured at +20 °C, 1 bar pressure to atmosphere
- Rectangular plug types delivered without plug (see ordering chart for accessories)

**i Further versions on request**

**Electrical connection**  
 Cable plug connection acc. to Form B (Industrial standard)  
 Flying leads

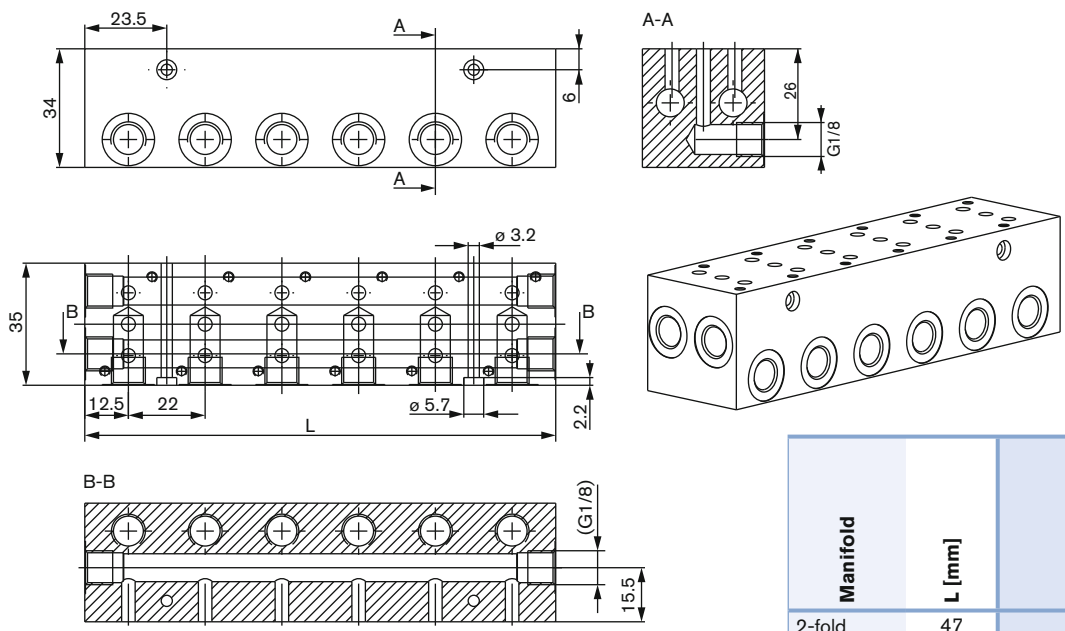
**Material**  
 Other body and seal materials

Ordering chart for accessories

Description	Item no.
 <p>Rectangular cable plug Type 2505 with 3 m cable</p>	133 486
 <p>Rectangular cable plug Type 2505 with 300 mm flying leads</p>	644 068
 <p>Cable Plug Type 2507 according to Industrial standard Form B, without circuitry, 0... 250 V AC/DC</p>	423 845
<p>Cable Plug Type 2507 according to Industrial standard Form B, with LED, 24 V AC/DC</p>	423 849

Dimensions [mm] and ordering chart for manifold

Multiple Manifolds with individual service port (G1/8) and diverter function on 2 common channels (G1/8); Delivery without valves; Material: anodized aluminium



Technical drawings showing dimensions for manifold configurations. Dimensions include: 23.5, 34, 6, 26, G1/8, 35, B, 12.5, 22, L, ø 3.2, ø 5.7, 2.2, 15.5, and (G1/8).

Manifold	L [mm]	Item no.
2-fold	47	669 571
3-fold	69	672 633
4-fold	91	669 572
5-fold	113	672 661
6-fold	135	669 570
10-fold	223	672 660

▪ Other versions on request.

## Application examples

Flying leads valve with plug-in coupling



Flying leads valve with threaded body



Rectangular plug with hose connector



Rectangular plug with manual override and flange



To find your nearest Bürkert facility, click on the orange box →

[www.burkert.com](http://www.burkert.com)In case of special application conditions,  
please consult for advice.Subject to alterations  
© Christian Bürkert GmbH & Co. KG

1511/5\_EU-en\_00895161