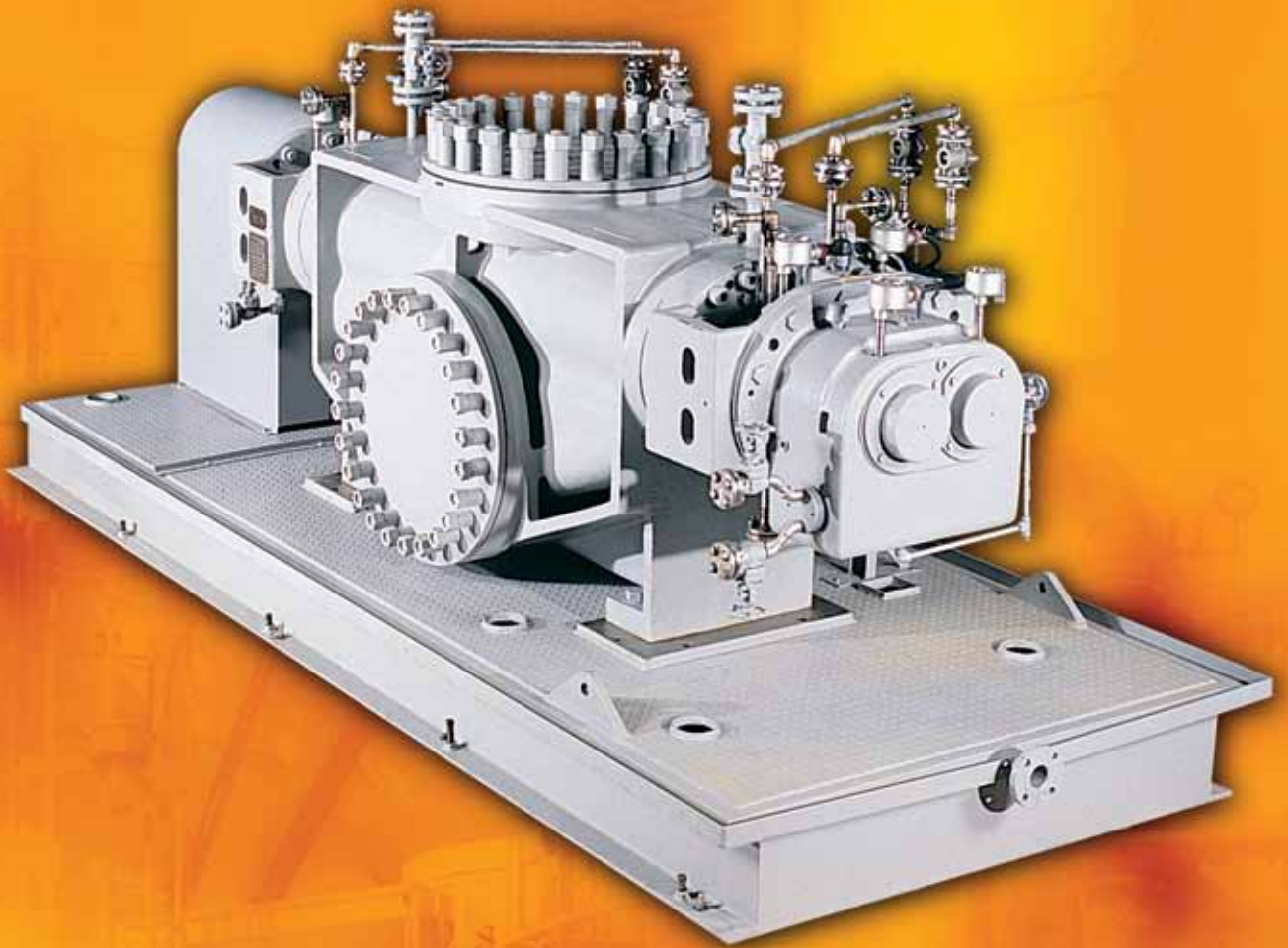
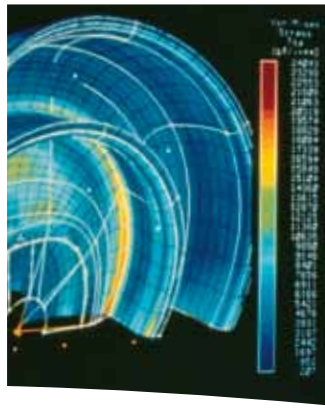




TSP
Double-Suction, Twin-Screw Pump



Experience In Motion



Pump Supplier to the World

Flowserve is the driving force in the global industrial pump marketplace. No other pump company in the world has the depth or breadth of expertise in the successful application of pre-engineered, engineered and special purpose pumps and systems.

Life Cycle Cost Solutions

Flowserve is providing pumping solutions which permit customers to reduce total life cycle costs and improve productivity, profitability and pumping system reliability.

Market Focused Customer Support

Product and industry specialists develop effective proposals and solutions directed toward market and customer preferences. They offer technical advice and assistance throughout each stage of the product life cycle, beginning with the inquiry.

Broad Product Lines

Flowserve offers a wide range of complementary pump types, from pre-engineered process pumps, to highly engineered and special purpose pumps and systems. Pumps are built to recognized global standards and customer specifications.

Pump designs include:

- Single stage process
- Between bearing single stage
- Between bearing multistage
- Vertical
- Submersible motor
- Rotary
- Reciprocating
- Nuclear
- Specialty

Product Brands of Distinction

ACEC™ Centrifugal Pumps

Aldrich™ Pumps

Byron Jackson® Pumps

Calder™ Energy Recovery Devices

Cameron™ Pumps

Durco® Process Pumps

Flowserve® Pumps

IDP® Pumps

Lawrence Pumps®

Niigata Worthington™ Pumps

Pacific® Pumps

Pleuger® Pumps

Scienco™ Pumps

Sier-Bath® Rotary Pumps

TKL™ Pumps

United Centrifugal® Pumps

Western Land Roller™ Irrigation Pumps

Wilson-Snyder® Pumps

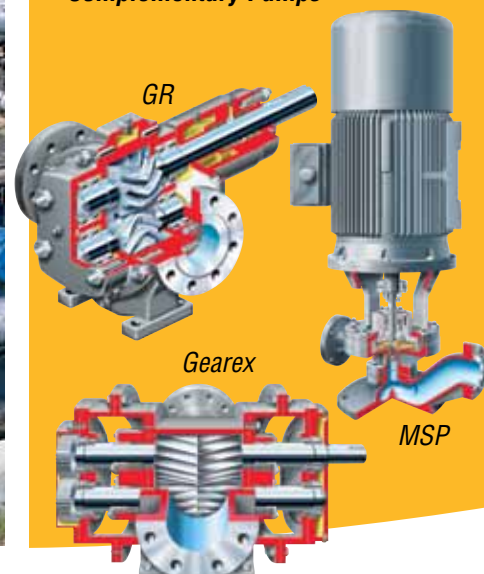
Worthington® Pumps

Worthington Simpson™ Pumps

**TSP
Twin-Screw
Pump**



Complementary Pumps



Versatile and Reliable

The Flowserve TSP double-suction, twin-screw rotary pump is the most versatile of all viscous liquid pumps. Built upon the proven heritage of the Sier-Bath twin-screw positive displacement pump, the TSP continues to provide the same pulse-free flow, high suction lift and self-priming capabilities of its predecessor. It incorporates field proven design enhancements to further improve reliability and ease of maintenance. These advanced features, coupled with the wide application coverage of this product, clearly demonstrate the versatility of the Flowserve TSP.

Advantages Over Gear Pumps

- Lower NPSH requirements
- Higher flow rate and differential pressure capabilities
- Lower shear stress
- Greater solids capability
- Lower operating noise levels

Applications

- Crude oil transfer
- Fuel oil burner feed
- Cargo loading and unloading
- General petroleum
- Chemical dosing
- Lube oil transfer and feed
- High viscosity polymers
- Reactor recirculation
- Greases and fats
- Pulp and paper
- Slurries

Benefits of the TSP

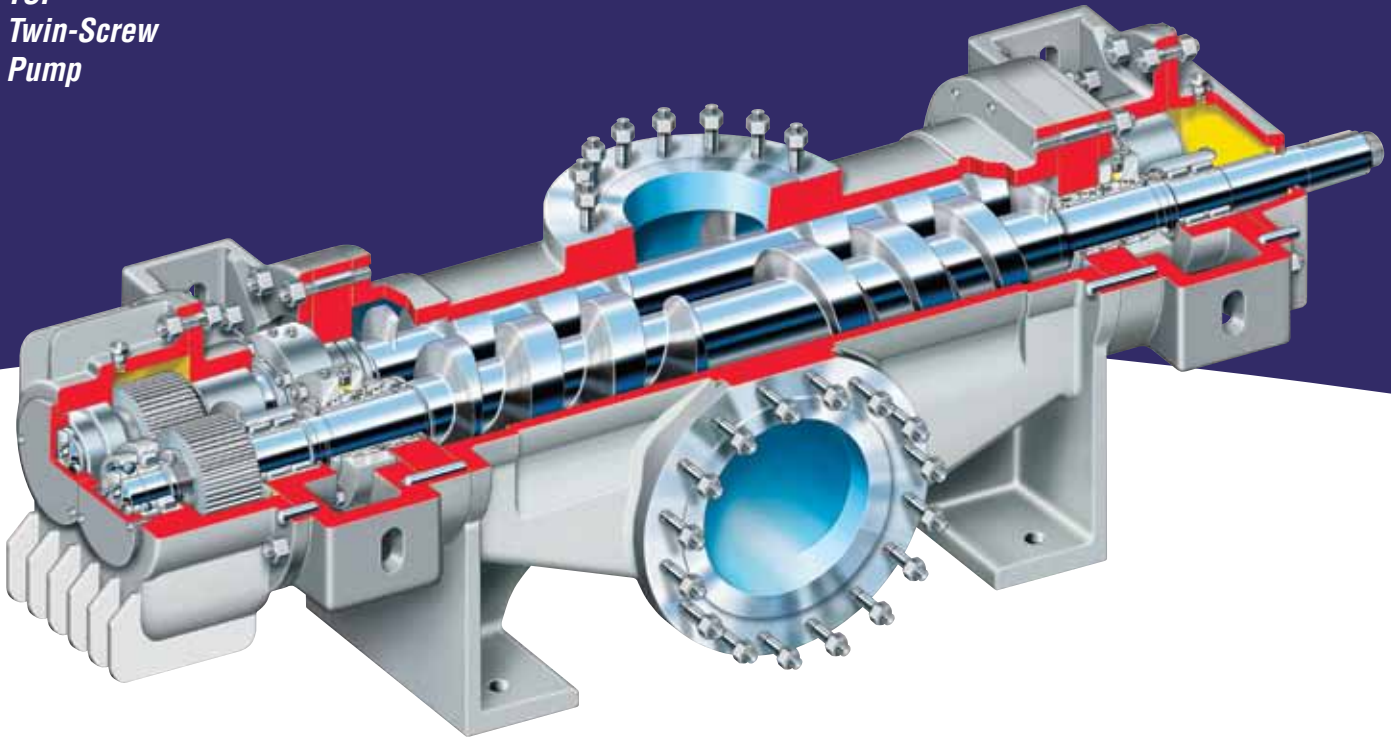
- Ease of Maintenance
 - Back pull-out design of rotating assembly
 - Split bearing bracket construction
 - Cartridge type mechanical seals
 - Tapered shaft mounting of coupling hub
 - No special tools required
- Versatility
 - High volumetric efficiency over a wide range of viscosities
 - Run-dry capability
 - High-temperature operation
 - Accommodates multiple seal types
- Heavy-Duty Reliability
 - Robust, one-piece cast casing design
 - Oversized and rigid integral shaft design
 - Oversized bearings
 - Abrasion-resistant coatings
- Low Total Cost of Ownership
 - Individual serviceability of bearings and mechanical seals
 - Refurbishing program for shafts and casings
 - Replaceable rotating assembly

Complementary Pump Designs

Flowserve also offers these pump designs:

- GR double helical, non-timed internal bearing gear pump
- Gearex double helical, timed external bearing gear pump
- MSP vertical in-line, medium speed pump

TSP
Twin-Screw
Pump



The Flowserve TSP features a double-suction, timed twin-screw pump design built in accordance with API 676, latest edition. It improves upon traditional rotary pump designs by providing smoother, more constant flow across a wide range of viscosities, temperatures and pressures.

The bearings and timing gears are located in separate oil reservoirs to ensure long pump life and high reliability. This design is suitable to handle fluids that are contaminated or have poor lubricity. It is also preferred for high-temperature and high-viscosity services or where run-dry capability is an operational requirement.

Operating Parameters

- Flows to 2550 m³/h (11 200 gpm)
- Pressure to 100 bar (1450 psi)
- Temperatures to 450°C (850°F)
- Viscosities to 200 million ssu
- Slurry concentrations to 70% by weight
- Shaft tip speeds to 30 m/s (100 ft/s)

Double Suction Design contributes to low NPSHR and balanced hydraulic loads. Robust cast casing has very low inlet losses and ensures mechanical seals are exposed only to pump inlet pressure.

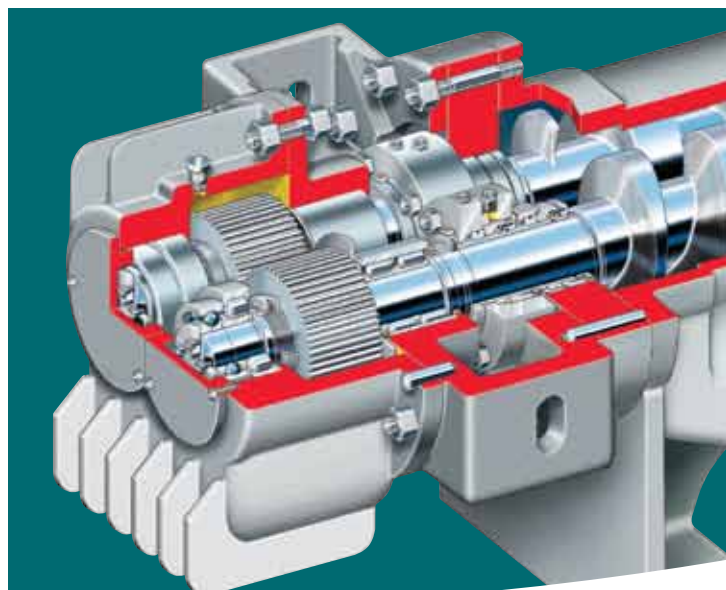
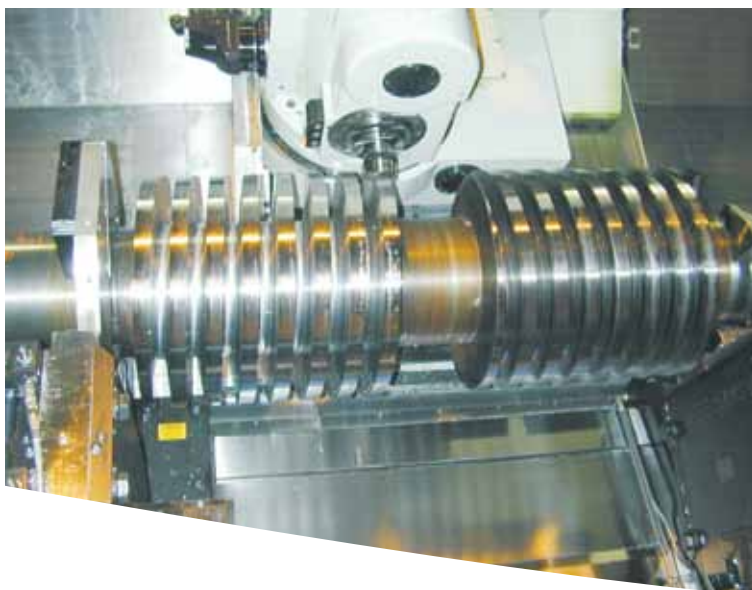
External Bearings and Timing Gears are located in separate oil reservoirs, thereby eliminating exposure to the pumped fluid. This design provides ideal lubrication for these critical components.

Oversized, Integral Shaft Design results in low operating shaft deflections as well as high torque handling capability.

Versatile ISO 21049/API 682 Seal Chamber readily accommodates multiple seal types without field modifications and meets HSE regulations.

Split Bearing Bracket Construction provides easy access to bearings and mechanical seals to facilitate pump maintenance.

AGMA 11 Precision Ground Timing Gears transmit power from the pump drive shaft to the driven shaft and maintain rotational clearances between the screws. Metal-to-metal contact is eliminated, thereby reducing wear.



Customized Screw Pitch

Design capacity and required pressure are achieved by varying the screw pitch in 3 mm (1/8 in) increments, thereby achieving the optimum hydraulic and mechanical efficiencies. Pumps can then be coupled to standard synchronous speed drivers reducing original equipment costs. Utilizing state-of-the-art manufacturing methods precise tolerances can be consistently achieved.

Flowserve Multiphase Twin-Screw Pump Thrust Bearing Design

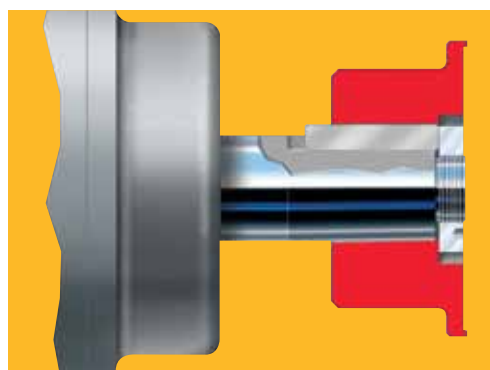
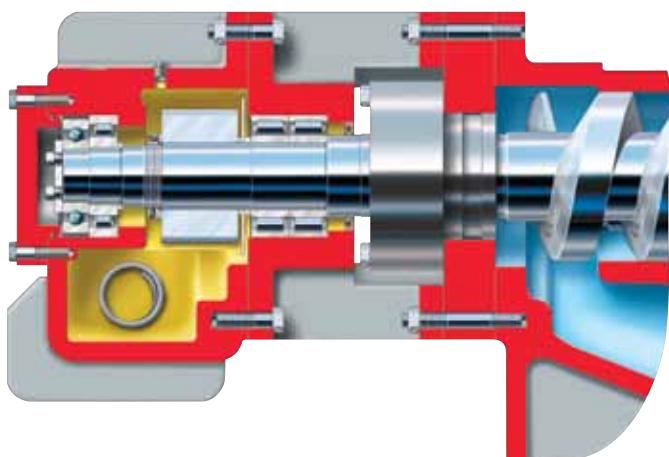
The TSP incorporates this field proven feature from the Flowserve multiphase twin-screw pump design. This innovative design provides a robust outboard bearing support for the between bearings mounted timing gears, ensuring optimum timing gear alignment and mesh resulting in low operating vibration levels. This well-engineered bearing design provides a simple and controlled method for bearing installation that can be carried out in the field.

Split Bearing Bracket Construction

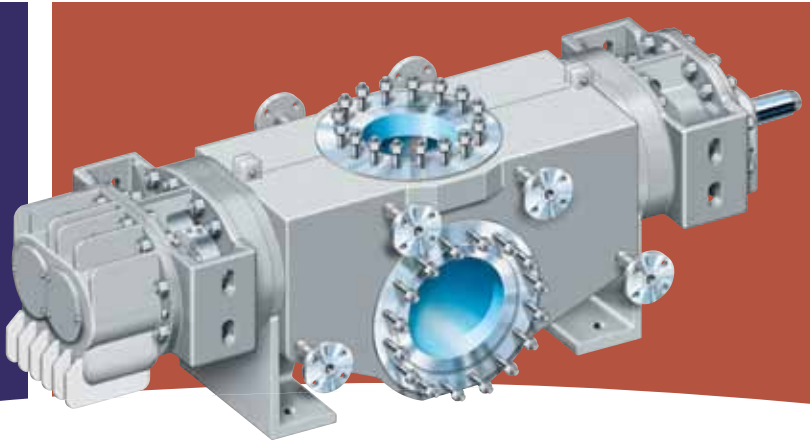
A strong maintenance feature of the TSP is the split bearing bracket design. The bearing housing portion of the bracket can be separately removed to permit servicing of the bearings without disturbing the mechanical seals. Since the parting flange of the bracket is near the TSP casing, maximum access is provided to the mechanical seals, which similarly can be individually removed and replaced without disturbing the seal on the adjacent shaft. The critical positioning of the bearing bracket assembly is maintained using hardened dowel pins so proper reassembly is assured.

Tapered Coupling Extension

The TSP's tapered coupling extension eliminates the maintenance challenge of removing interference-fit mounted coupling hubs, especially at remote field locations. As a result, pump downtime is significantly decreased and the potential for damaging the pump drive shaft and/or coupling hub is eliminated.



**Options and
Technical Data**



Pre-Engineered High-Temperature Option

- High-pressure, high-temperature bolt-on hot oil or steam jacket for heat tracing of pumping chambers
- High-temperature bellows mechanical seals in both single and double cartridge configurations
- Internal design clearances engineered to accommodate thermal expansion of pump while still achieving the rated conditions of service
- Cooling coils fitted in drive and non-drive end bearings houses to support pump operation up to 450°C (850°F)
- Fitted with high-temperature gaskets and elastomers

Hard, Abrasion-Resistant Coatings

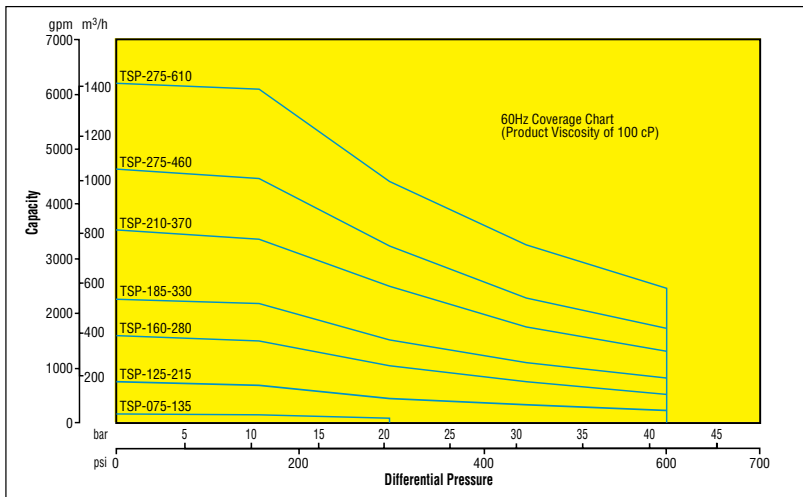
Hard coatings reduce corrosion and wear on critical parts in challenging services. Hard coatings also offer the additional benefit of protection against galling in the event of short-term upset conditions. The result is increased mean time between pump repair.

- Casing bores can be coated with overlays with a minimum hardness of 70 Rc
- Screw outer diameters can be manufactured with abrasion-resistant coatings with a minimum hardness of 40 Rc
- In-house testing lab to confirm pressure and velocity load handling characteristics of coatings

Materials of Construction

Component	Standard Design	API Design	Corrosion-Resistant Design
Casing	Ductile iron	Cast steel	Stainless steel
Integral shafts	Carbon steel	Carbon steel	Stainless steel
Seal plate half of bracket	Carbon steel		Stainless steel
Bearing housing half of bracket	Cast steel		
Front cover; Gear housing	Cast steel		
Rear caps	Carbon steel		
Timing gears	Case carburized carbon steel		

TSP Range Chart



**Global Service
and Technical
Support**



Life Cycle Cost Solutions

Typically, 90% of the total life cycle cost (LCC) of a pumping system is accumulated after the equipment is purchased and installed. Flowserve has developed a comprehensive suite of solutions aimed at providing customers with unprecedented value and cost savings throughout the life span of the pumping system. These solutions account for every facet of life cycle cost, including:

Capital Expenses

- Initial purchase
- Installation

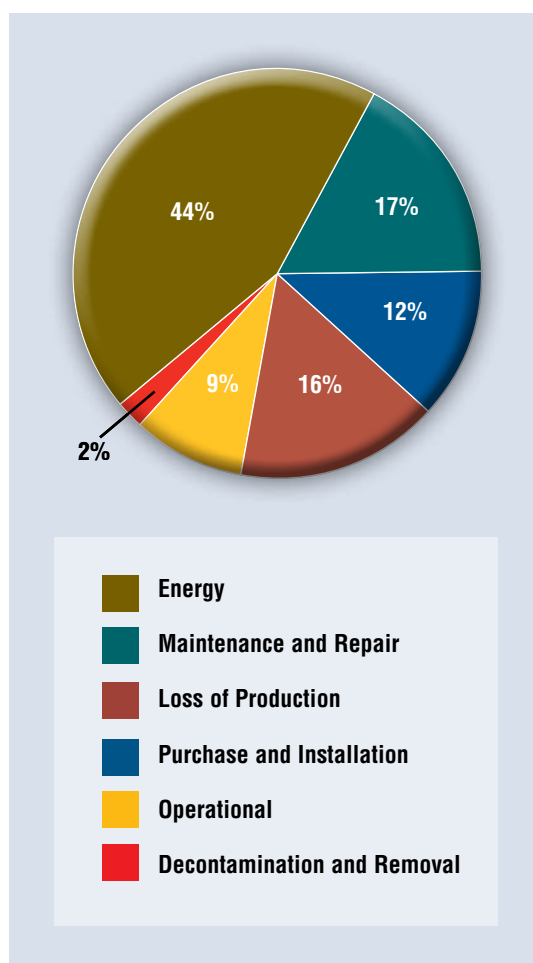
Operating Expenses

- Energy consumption
- Maintenance
- Production losses
- Environmental
- Inventory
- Operating
- Removal

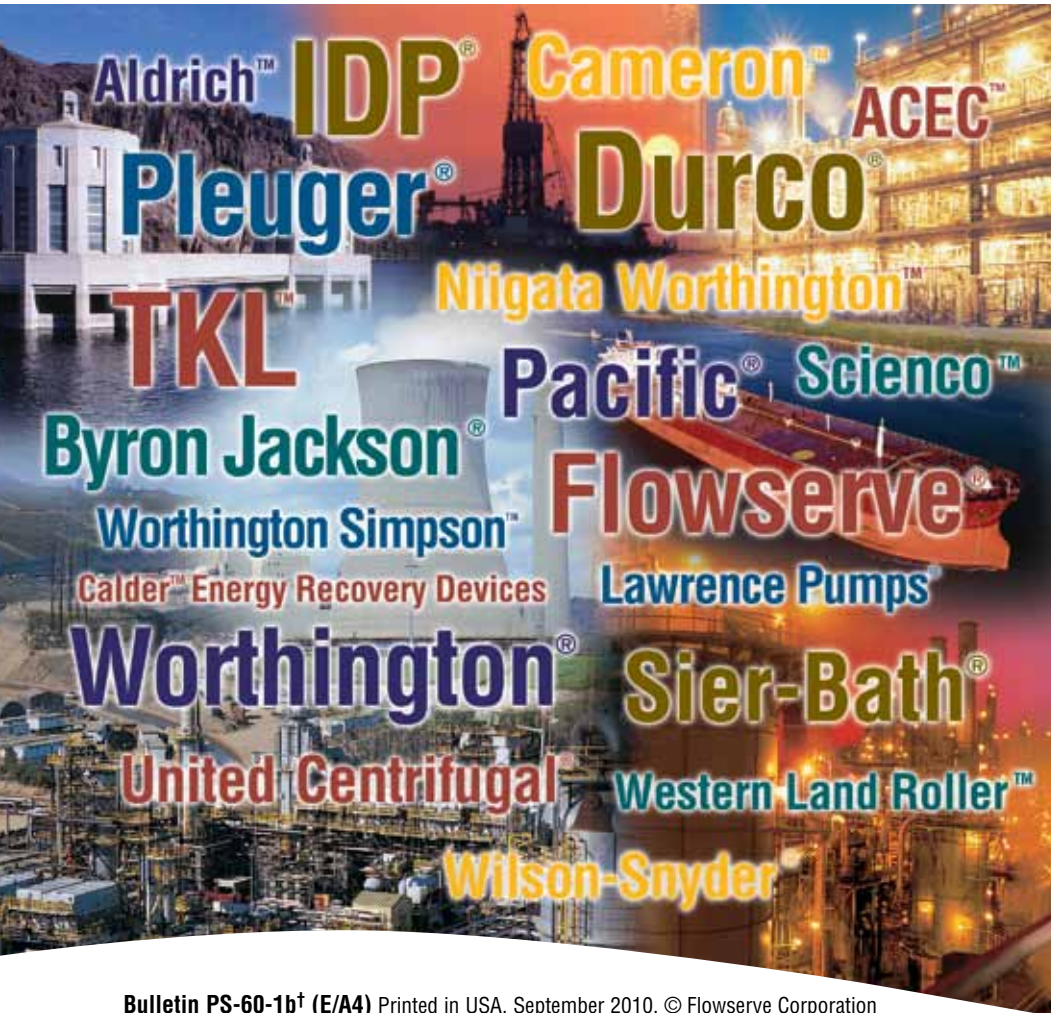
Innovative Life Cycle Cost Solutions

- New Pump Selection
- Turnkey Engineering and Field Service
- Energy Management
- Pump Availability
- Proactive Maintenance
- Inventory Management

Typical Pump Life Cycle Costs¹



¹ While exact values may differ, these percentages are consistent with those published by leading pump manufacturers and end users, as well as industry associations and government agencies worldwide.



Bulletin PS-60-1b[†] (E/A4) Printed in USA. September 2010. © Flowserve Corporation

To find your local Flowserve representative:

For more information about Flowserve Corporation,
visit www.flowserve.com or call +1 937 890 5839

USA and Canada

Flowserve Corporation
5215 North O'Connor Blvd.
Suite 2300
Irving, Texas 75039-5421 USA
Telephone: +1 937 890 5839

Europe, Middle East, Africa

Flowserve Corporation
Gebouw Hagepoint
Westbroek 39-51
4822 ZX Breda
Netherlands
Telephone: +31 76 502 8920

Latin America

Flowserve Corporation
Martín Rodríguez 4460
B1644CGN-Victoria-San Fernando
Buenos Aires, Argentina
Telephone: +54 11 4006 8700
Telefax: +54 11 4714 1610

Asia Pacific

Flowserve Pte. Ltd.
10 Tuas Loop
Singapore 637345
Telephone: +65 6771 0600
Telefax: +65 6779 4607