



## Adapters for hygienic process valves

- Positioner / Process controller TopControl ELEMENT Type 8692, 8693, 8694 BASIC and 8696 BASIC
- Positioner / Process controller SideControl Remote Type 8792, 8793 and 8791 BASIC
- Control heads Type 8681 and ELEMENT Type 8690, 8691 and 8695
- Integrated program for decentralised automation of hygienic process valves and auxiliary processes

Product variants described in the data sheet may differ from the product presentation and description.

### Can be combined with

	<b>Type 8681</b> ▶ Control head for decentralised automation of hygienic process valves
	<b>Type 8691</b> ▶ Control head for decentralised automation of ELEMENT process valves
	<b>Type 8692</b> ▶ Digital electro-pneumatic positioner for integrated mounting on process control valves
	<b>Type 8693</b> ▶ Digital electro-pneumatic process controller for integrated mounting on process control valves
	<b>Type 8694</b> ▶ Digital electropneumatic positioner for the integrated mounting on process control valves
	<b>Type 8792</b> ▶ Digital electro-pneumatic positioner: SideControl

### Type description

Optimised for hygienic process technology in the beverage, food and pharmaceutical industry, control heads, positioners and process controllers can be combined with all types of pneumatically actuated process valves. In terms of automation concept and field equipment selection this enables complete uniform solutions, regardless of whether they are hygienic single-seat, double seat and flap valves or armatures for auxiliary mediums such as steam, water and cleaning chemicals. This standardisation reduces stock and simplifies plant operation by reducing the diversity of devices. Through robust adapters, specifically tailored to all commercially available armatures, control heads, positioners and process controllers are integrated in a simple and reliable way.

## Table of contents

<b>1. Product versions</b>	<b>3</b>
1.1. Control heads .....	3
Control head Type 8681 .....	3
Control head Type 8691 and Type 8695 .....	4
Pneumatic control unit/feedback Type 8690 and Type 8697 .....	4
1.2. Positioner and process controller .....	5
Positioner TopControl Type 8692 .....	5
Process controller TopControl Type 8693 .....	6
Positioner TopControl BASIC Type 8694 and Type 8696 .....	6
Positioner SideControl Remote Type 8792 with 8798 .....	7
Process controller SideControl Remote Type 8793 with 8798 .....	8
Positioner SideControl BASIC Remote Type 8791 with 8798 and Type 8791 IP20 with 8798 .....	8
<b>2. Materials</b>	<b>9</b>
2.1. Material specifications .....	9
<b>3. Dimensions</b>	<b>9</b>
<b>4. Ordering information</b>	<b>10</b>
4.1. Notes regarding product selection .....	10
General notes .....	10
4.2. Notes on the selection of adapter kits for control heads and position/process controllers .....	10
Flange interface of control unit/adapter kit for ELEMENT series, Type 869x .....	10
Flange interface of control/adapter kit for control head, Type 8681 .....	10
Adapter kits with stroke compensation .....	10
4.3. Ordering chart Bürkert adapter kits suitable for Alfa Laval valves .....	11
4.4. Ordering chart Bürkert adapter kits suitable for GEA Tuchenhagen valves .....	14
4.5. Ordering chart Bürkert adapter kits suitable for Definox valves .....	18
4.6. Ordering chart Bürkert adapter kits suitable for Aseptomag valves .....	20
4.7. Ordering chart Bürkert adapter kits suitable for APV/SPX valves .....	22
4.8. Ordering chart Bürkert adapter kits suitable for Bardiani valves .....	24
4.9. Ordering chart Bürkert adapter kits suitable for Tyco Hovap valves .....	26
4.10. Ordering chart Bürkert adapter kits suitable for Millipore NovAseptic valves .....	27
4.11. Ordering chart Bürkert adapter kits suitable for Kieselmann valves .....	28
4.12. Ordering chart Bürkert adapter kits suitable for Nocado valves .....	30
4.13. Ordering chart Bürkert adapter kits suitable for INOXPA valves .....	31

## 1. Product versions


### 1.1. Control heads

Smart control heads through their hygienic design are the ideal decentralized automation process component in a hygienic environment.



They take over the complete pneumatic actuation, feedback control, and diagnostic functions but also field bus communication. Resistant materials and a tried and tested IP protection, which is additionally secured by means of a pressurized housing avoiding intake of condensate and moisture, guarantee reliability. An automatic Teach-function of the contactless and thus wear-free end position sensor and pneumatic valves with integrated restriction function, check valves and manual actuation are the key features. The coloured status display uses high-power LEDs for easy process monitoring. As communication interfaces, AS-Interface, IO-Link and bÜS (Bürkert System Bus) are available.

For detailed information on the control head programme, visit us online at: [www.burkert.com](http://www.burkert.com).



#### Control head Type 8681

Control head	Description
 <p><b>Type 8681</b> ▶</p>	<p>Type 8681 control head is optimised for decentralised automation of hygienic process valves. Thanks to its universal adapter it can be combined with all normal commercial butterfly valves, ball valves, single and double seated valves. With a decentralised automation concept, the control head takes over all pneumatic actuation, feedback and diagnostic functions up to and including fieldbus communication. The housing is easy to clean and features proven IP protection and chemically resistant materials for use in hygienic processing in food, beverage and pharmaceutical industries. Depending on the process valve type, up to 3 pneumatic actuator chambers can be controlled independently from each other.</p> <p><b>Features</b></p> <ul style="list-style-type: none"> <li>• Universal attachment for hygienic process valves</li> <li>• Controls single and double-acting actuators</li> <li>• Highly dynamic positioning system without internal control air consumption in controlled state</li> <li>• Pilot valve with manual override, throttling function and integrated check valve</li> <li>• Coloured status display</li> <li>• Integrated diagnostic functions for valve monitoring</li> <li>• IO-Link, AS-Interface or bÜS/CANopen</li> </ul> <p><b>Customer benefits</b></p> <ul style="list-style-type: none"> <li>• Flexibility through universal actuator adaptation to all hygienic process valves on the market</li> <li>• Easy commissioning through automatic Teach function</li> <li>• Guaranteed reliability and predictable maintenance through valve monitoring and diagnosis</li> <li>• Safe process monitoring and easy valve diagnostics through highly visible illuminated status indicator</li> </ul>

## Control head Type 8691 and Type 8695

Control head	Description
 <p>Type 8691 ▶</p>	<p>The control head Type 8691/8695 is designed for decentralized automation of pneumatic process valves and specifically for the requirements of hygienic process environments. The registration of the valve end position is done through a contact-free analog position sensor, which automatically recognises and saves the valve end position through the Teach function when starting up. The integrated pilot valve controls single or double-acting actuators. The housing is easy to clean and features proven IP protection and chemically resistant materials for use in hygienic processing in food, beverage and pharmaceutical industries.</p> <p><b>Features</b></p> <ul style="list-style-type: none"> <li>• Hygienic stainless steel design according to EHEDG guidelines</li> <li>• Teach function for automatic recognition of valve end positions</li> <li>• Contact- and wear-free inductive position sensor</li> <li>• Status display through high-power coloured LED</li> <li>• Integrated pilot valve with manual override</li> <li>• IO-Link, AS-Interface or Bürkert system bus (büS)</li> </ul> <p><b>Customer benefits</b></p> <ul style="list-style-type: none"> <li>• Easy and safe commissioning through automatic Teach function</li> <li>• Safe process monitoring and easy valve diagnostics through highly visible high-power coloured LEDs</li> <li>• Guaranteed reliability and predictable maintenance through valve monitoring and diagnosis</li> <li>• Minimal space requirement in the plant piping for more flexibility in plant design</li> </ul>
 <p>Type 8695 ▶</p>	

## Pneumatic control unit/feedback Type 8690 and Type 8697

Pneumatic control unit/feedback	Description
 <p>Type 8690 ▶</p>	<p>The pneumatic control Type 8690 or Type 8697 combines electrical position feedback and pneumatic control for single (8697) or double acting actuators and is also optionally available in an intrinsically safe version according to ATEX. Mechanical or inductive limit switches detect the valve position.</p> <p><b>Features</b></p> <ul style="list-style-type: none"> <li>• Optical position indicator</li> <li>• Mechanical or inductive limit switches for end position registering</li> <li>• Integrated pilot valve with manual override</li> <li>• Compact design</li> <li>• Optional intrinsically safe version acc. to ATEX/IECEx</li> </ul> <p><b>Customer benefits</b></p> <ul style="list-style-type: none"> <li>• Simple and reliable actuator adaptation</li> <li>• Signal reliability due to the automatic adjustment of the limit position switches</li> <li>• Minimal space requirement in the plant piping for more flexibility in plant design</li> </ul>
 <p>Type 8697 ▶</p>	

## 1.2. Positioner and process controller


Uniquely integrated yet universally combinable the digital positioners and process controllers of the TopControl ELEMENT series offer an optimal solution for product control with hygienic process valves as well as the control of auxiliary mediums.

The smart positioners and process controllers in hygienic design are extremely compact, resistant to cleaning and form a robust unit with the control valve actuators. The internal position sensor is contactless and thus wear-free. The built-in particle filter is easily maintained and supports operational safety against dirt particles in the air. The energy consumption is minimized by the pilot valve system having no intrinsic compressed air consumption.


With identical adapter kits and device operation the product range of positioners and process controllers provides also SideControl devices for remote control as an addition to the TopControl ELEMENT series. There are also devices available for mounting acc. to IEC / NAMUR standard for classical linear and rotary actuators. This communication can be done via PROFIBUS DP-V1, EtherNet/IP, PROFINET, Modbus TCP or büS (Bürkert System Bus).

For detailed information on the positioner and process controller programme, visit us online at: [www.burkert.com](http://www.burkert.com).



### Positioner TopControl Type 8692

Positioner TopControl	Description
 <p data-bbox="193 1016 319 1043">Type 8692 ▶</p>	<p data-bbox="475 757 1453 904">The intelligent positioner Type 8692 is designed for integrated mounting on pneumatic actuators and specifically for the requirements of hygienic process environments. The initialisation of the process controller and positioner can be automatically performed using TUNE function. The easy handling and the selection of additional software functions and parameterization are done on an illuminated graphic display. Device configuration and parameterization can also be carried out easily by the Bürkert Communicator software tool via a PC interface.</p> <p data-bbox="475 931 564 958"><b>Features</b></p> <ul data-bbox="475 965 1302 1200" style="list-style-type: none"> <li>• Hygienic stainless steel design according to EHEDG guidelines</li> <li>• Contact- and wear-free inductive position sensor</li> <li>• Automatic initialisation of the positioner by means of the TUNE function</li> <li>• Highly dynamic positioning system for single and double-acting actuators</li> <li>• Without internal control air consumption in the controlled state</li> <li>• Integrated diagnostic functions for valve monitoring</li> <li>• PROFIBUS DP-V1, EtherNet/IP, PROFINET, Modbus TCP, Bürkert system bus (büS)</li> </ul> <p data-bbox="475 1227 667 1254"><b>Customer benefits</b></p> <ul data-bbox="475 1261 1453 1420" style="list-style-type: none"> <li>• Quick and easy start up</li> <li>• Intuitive and easy operation via illuminated graphic display and keypad</li> <li>• Guaranteed reliability and predictable maintenance through valve monitoring and diagnosis</li> <li>• Energy saving due to a pneumatic control system without internal air consumption in the controlled state</li> </ul>


## Process controller TopControl Type 8693

Process controller TopControl	Description
 <p>Type 8693 ▶</p>	<p>The intelligent process controller Type 8693 is designed for integrated mounting on pneumatic actuators and specifically for the requirements of hygienic process environments. The initialisation of the process controller and positioner can be automatically performed using TUNE function. The easy handling and the selection of additional software functions and parameterization are done on an illuminated graphic display. Device configuration and parameterization can also be carried out easily by the Bürkert Communicator software tool via a PC interface.</p> <p><b>Features</b></p> <ul style="list-style-type: none"> <li>• Hygienic stainless steel design according to EHEDG guidelines</li> <li>• Contact- and wear-free inductive position sensor</li> <li>• Automatic initialisation of the positioner and process controller via TUNE function</li> <li>• Highly dynamic positioning system for single and double-acting actuators</li> <li>• Without internal control air consumption in the controlled state</li> <li>• Integrated diagnostic functions for valve monitoring</li> <li>• PROFIBUS DP-V1, EtherNet/IP, PROFINET, Modbus TCP, Bürkert system bus (bÜS)</li> </ul> <p><b>Customer benefits</b></p> <ul style="list-style-type: none"> <li>• Quick and easy start up</li> <li>• Intuitive and easy operation via illuminated graphic display and keypad</li> <li>• Guaranteed reliability and predictable maintenance through valve monitoring and diagnosis</li> <li>• Energy saving due to a pneumatic control system without internal air consumption in the controlled state</li> </ul>


## Positioner TopControl BASIC Type 8694 and Type 8696

Positioner TopControl BASIC	Description
 <p>Type 8694 ▶</p>	<p>The compact positioners Type 8694 and Type 8696 are designed for integrated mounting on pneumatic actuators and specifically for the requirements of hygienic process environments. The operation and parameterization are done via push buttons and DIP switches. Device configuration and parameterization can also be carried out easily by the Bürkert Communicator software tool via a PC interface.</p> <p><b>Features</b></p> <ul style="list-style-type: none"> <li>• Hygienic stainless steel design according to EHEDG guidelines</li> <li>• Contact- and wear-free inductive position sensor</li> <li>• Highly dynamic positioning system for single and double-acting actuators</li> <li>• Without internal control air consumption in the controlled state</li> <li>• AS-Interface, IO-Link, Bürkert system bus (bÜS)</li> </ul> <p><b>Customer benefits</b></p> <ul style="list-style-type: none"> <li>• Quick and easy start up</li> <li>• Minimum space requirement in the plant pipework for more flexibility in plant design</li> <li>• Guaranteed reliability and predictable maintenance through valve monitoring and diagnosis</li> <li>• Energy saving due to a pneumatic control system without internal air consumption in the controlled state</li> </ul>
 <p>Type 8696 ▶</p>	



## Positioner SideControl Remote Type 8792 with 8798

Positioner SideControl Remote	Description
 <p data-bbox="193 443 533 495"><b>Type 8792 ▶</b> <b>with Remote-Sensor Type 8798 ▶</b></p>	<p data-bbox="603 304 1453 405">The intelligent digital positioner Type 8792 is designed to be mounted on linear and rotary actuators with standardization to IEC 534 - 6 or VDI/VDE 3845 for demanding control tasks. In addition, the version with remote sensor Type 8798 can be combined with Bürkert process control valves.</p> <p data-bbox="603 409 1453 510">The operation is done on an illuminated graphic display. The initialization of the process controller and positioner can be automatically performed using TUNE function. Thereby, the type of control system is automatically detected and determines the appropriate controller structure with the corresponding optimal parameter set.</p> <p data-bbox="603 533 695 555"><b>Features</b></p> <ul data-bbox="603 566 1437 898" style="list-style-type: none"> <li>• Compact and robust design</li> <li>• Adaption acc. to IEC 534 - 6 and VDI/VDE 3845 for linear and rotary actuators or as remote version on hygienic process valves</li> <li>• Automatic initialisation of the positioner via TUNE function</li> <li>• Universal positioning system for single and double-acting actuators</li> <li>• Highly dynamic positioning system without internal control air consumption in controlled state</li> <li>• Integrated diagnostic functions for valve monitoring</li> <li>• Illuminated graphic display with keypad</li> <li>• PROFIBUS DP-V1, EtherNet/IP, PROFINET, Modbus TCP, Bürkert system bus (bùS)</li> </ul> <p data-bbox="603 920 794 943"><b>Customer benefits</b></p> <ul data-bbox="603 954 1449 1137" style="list-style-type: none"> <li>• Quick and easy start up</li> <li>• Intuitive and easy operation via illuminated graphic display and keypad</li> <li>• Guaranteed reliability and predictable maintenance through valve monitoring and diagnosis</li> <li>• Energy saving due to a pneumatic control system without internal air consumption in the controlled state</li> </ul>

**Process controller SideControl Remote Type 8793 with 8798**

Process controller SideControl Remote	Description
 <p data-bbox="193 472 533 521"><b>Type 8793 ▶ with Remote-Sensor Type 8798 ▶</b></p>	<p data-bbox="603 331 1447 427">The intelligent digital process controller Type 8793 are designed to be mounted on linear and rotary actuators with standardization to IEC 534 -6 or VDI/VDE 3845 for demanding control tasks. In addition, the version with remote sensor Type 8798 can be combined with Bürkert process control valves.</p> <p data-bbox="603 434 1447 530">The operation is done on an illuminated graphic display. The initialization of the process controller and positioner can be automatically performed using TUNE function. Thereby, the type of control system is automatically detected and determines the appropriate controller structure with the corresponding optimal parameter set.</p> <p data-bbox="603 562 692 584"><b>Features</b></p> <ul data-bbox="603 591 1430 920" style="list-style-type: none"> <li>• Compact and robust design</li> <li>• Adaption acc. to IEC 534 -6 and VDI/VDE 3845 for linear and rotary actuators or as remote version on hygienic process valves</li> <li>• Automatic initialisation of the positioner via TUNE function</li> <li>• Universal positioning system for single and double-acting actuators</li> <li>• Highly dynamic positioning system without internal control air consumption in controlled state</li> <li>• Integrated diagnostic functions for valve monitoring</li> <li>• Illuminated graphic display with keypad</li> <li>• PROFIBUS DP-V1, EtherNet/IP, PROFINET, Modbus TCP, Bürkert system bus (būS)</li> </ul> <p data-bbox="603 952 794 974"><b>Customer benefits</b></p> <ul data-bbox="603 981 1447 1151" style="list-style-type: none"> <li>• Quick and easy start up</li> <li>• Intuitive and easy operation via illuminated graphic display and keypad</li> <li>• Guaranteed reliability and predictable maintenance through valve monitoring and diagnosis</li> <li>• Energy saving due to a pneumatic control system without internal air consumption in the controlled state</li> </ul>

**Positioner SideControl BASIC Remote Type 8791 with 8798 and Type 8791 IP20 with 8798**

Positioner SideControl BASIC Remote	Description
 <p data-bbox="193 1442 533 1487"><b>Positioner Type 8791 ▶ with Remote-Sensor Type 8798 ▶</b></p>	<p data-bbox="603 1301 1447 1420">The digital positioner Type 8791 is designed for mounting on linear and rotary actuators with standardization in accordance with IEC 534 -6 or VDI/VDE 3845 or as remote version with remote position sensor for simple control tasks. In addition, the version with remote sensor Type 8798 can be combined with Bürkert process control valves. All operating elements are located inside the housing.</p> <p data-bbox="603 1451 692 1473"><b>Features</b></p> <ul data-bbox="603 1480 1430 1697" style="list-style-type: none"> <li>• Compact and robust design</li> <li>• Adaption acc. to IEC 534 -6 and VDI/VDE 3845 for linear and rotary actuators or as remote version on hygienic process valves</li> <li>• Universal positioning system for single and double-acting actuators</li> <li>• Highly dynamic positioning system without internal control air consumption in controlled state</li> <li>• AS-Interface, IO-Link, Bürkert system bus (būS) (not with positioner IP20)</li> </ul> <p data-bbox="603 1729 794 1751"><b>Customer benefits</b></p> <ul data-bbox="603 1758 1447 1881" style="list-style-type: none"> <li>• Quick and easy start up</li> <li>• Simple device for simple control tasks</li> <li>• Energy saving due to a pneumatic control system without internal air consumption in the controlled state</li> </ul>
 <p data-bbox="193 1682 533 1727"><b>Positioner IP20 Type 8791 ▶ with Remote-Sensor Type 8798 ▶</b></p>	



## 2. Materials

### 2.1. Material specifications

The adapter sets are made of stainless steel.

## 3. Dimensions

### Note:

Details of the dimensions are given in the chapters listed below

<b>Bürkert adapter kits suitable for Alfa Laval valves</b>
See <a href="#">“4.3. Ordering chart Bürkert adapter kits suitable for Alfa Laval valves”</a> on page 11
<b>Bürkert adapter kits suitable for GEA Tuchenhagen valves</b>
See <a href="#">“4.4. Ordering chart Bürkert adapter kits suitable for GEA Tuchenhagen valves”</a> on page 14
<b>Bürkert adapter kits suitable for Definox valves</b>
See <a href="#">“4.5. Ordering chart Bürkert adapter kits suitable for Definox valves”</a> on page 18
<b>Bürkert adapter kits suitable for Aseptomag linear actuators</b>
See <a href="#">“4.6. Ordering chart Bürkert adapter kits suitable for Aseptomag valves”</a> on page 20
<b>Bürkert adapter kits suitable for APV/SPX valves</b>
See <a href="#">“4.7. Ordering chart Bürkert adapter kits suitable for APV/SPX valves”</a> on page 22
<b>Bürkert adapter kits suitable for Bardiani valves</b>
See <a href="#">“4.8. Ordering chart Bürkert adapter kits suitable for Bardiani valves”</a> on page 24
<b>Bürkert adapter kits suitable for Tyco Hovap valves</b>
See <a href="#">“4.9. Ordering chart Bürkert adapter kits suitable for Tyco Hovap valves”</a> on page 26
<b>Bürkert adapter kits suitable for Millipore NovAseptic valves</b>
See <a href="#">“4.10. Ordering chart Bürkert adapter kits suitable for Millipore NovAseptic valves”</a> on page 27
<b>Bürkert adapter kits suitable for Kieselmann valves</b>
See <a href="#">“4.11. Ordering chart Bürkert adapter kits suitable for Kieselmann valves”</a> on page 28
<b>Bürkert adapter kits suitable for Nocado valves</b>
See <a href="#">“4.12. Ordering chart Bürkert adapter kits suitable for Nocado valves”</a> on page 30
<b>Bürkert adapter kits suitable for INOXPA valves</b>
See <a href="#">“4.13. Ordering chart Bürkert adapter kits suitable for INOXPA valves”</a> on page 31

## 4. Ordering information

### 4.1. Notes regarding product selection

#### General notes

- **Subject to alteration of technical data and design of third party actuators. A sampling of the respective associated adapter kit is therefore necessary in every case. The information on the compatibility of the adapter kit is done so with reservations.**
- The ordering charts for adapter kits in chapter **"4. Ordering information" on page 10** refer to the third-party valve actuators and not to the valves themselves.
- Therefore, the actuator is the decisive factor in the selection of the suitable adapter.

### 4.2. Notes on the selection of adapter kits for control heads and position/process controllers

#### Flange interface of control unit/adapter kit for ELEMENT series, Type 869x

For control units, Type 869x there are two different variants of flange interfaces, which can be distinguished from each other by internal or external air supply to the actuator.

#### Flange interface with internal air flow

- Enables direct internal control air supply to the actuator without external tubing.
- Adaptations for flange interface with internal air supply are primarily designed for single-acting actuators.
- Adaptations that can be used for both single-acting and double-acting actuators are marked accordingly in the ordering tables..

#### Flange interface with external air flow

- The control air is routed via the external tubing between the control unit and the actuator.
- Article no. for control units with external air supply are partly only available on request in the data sheets of control units (Type 869x).

#### Flange interface of control/adapter kit for control head, Type 8681

With the control head, Type 8681, the air supply to the actuator is always connected externally. Direct internal air routing is not possible.

#### Flange interface combination - adaptation

Which flange interface of the control unit can be combined with which adaptation can be found in the ordering tables for adapter sets.

#### Adapter kits with stroke compensation

For certain actuators, adapter sets with stroke compensation are offered. These are marked accordingly in the ordering charts. Adapter kits with mechanical stroke compensation facilitate the detection of valve end positions for actuators exceeding the stroke detection range of the control unit.

#### Contact and support

If you have any questions about the above, please contact your local Bürkert sales office. They will advise and support you in the selection of suitable mounting kits for your valve actuator.

### 4.3. Ordering chart Bürkert adapter kits suitable for Alfa Laval valves

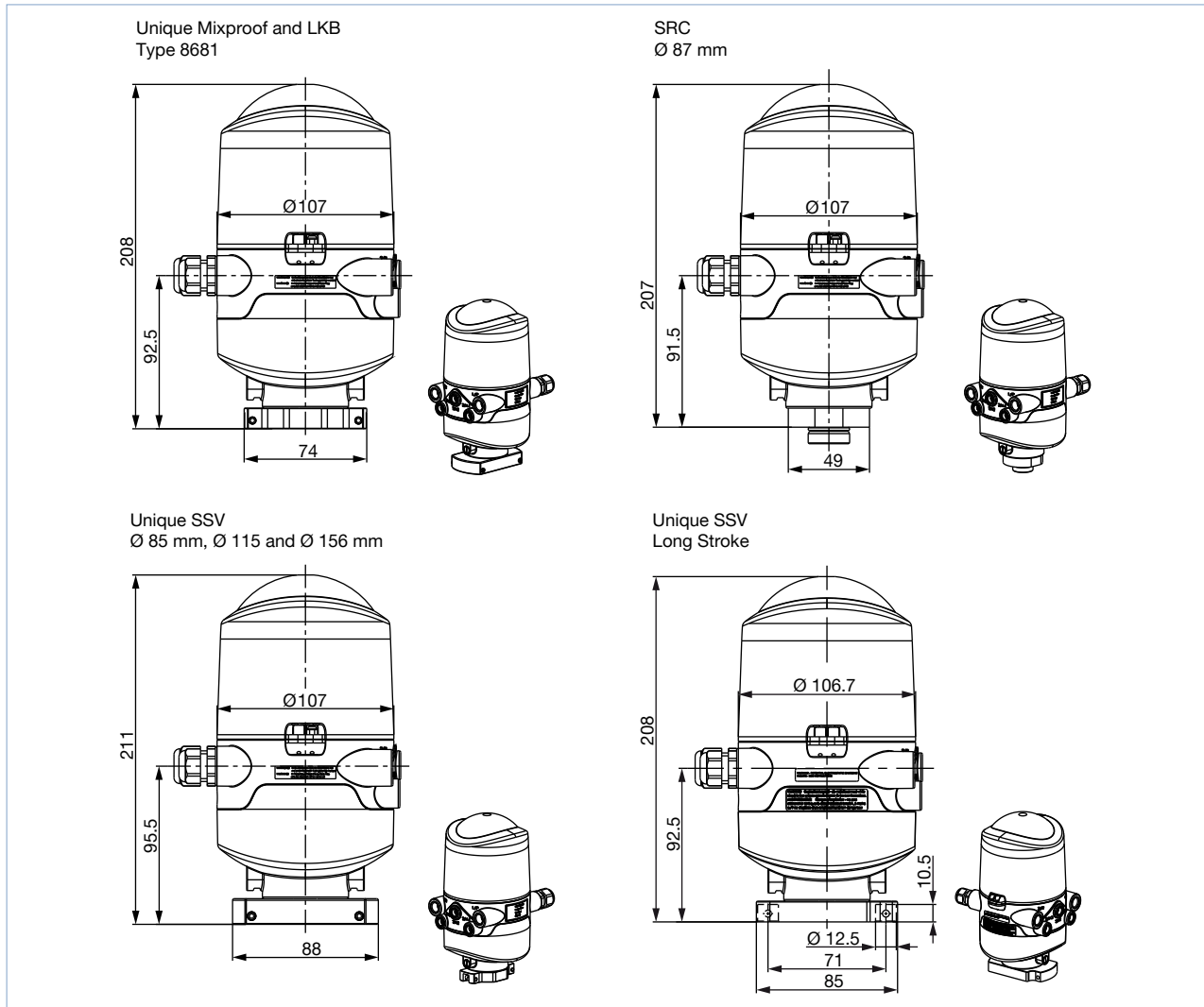
**Note:**

- For detailed notes, please refer to chapter “4.1. Notes regarding product selection” on page 10.
- Further versions are available on request.

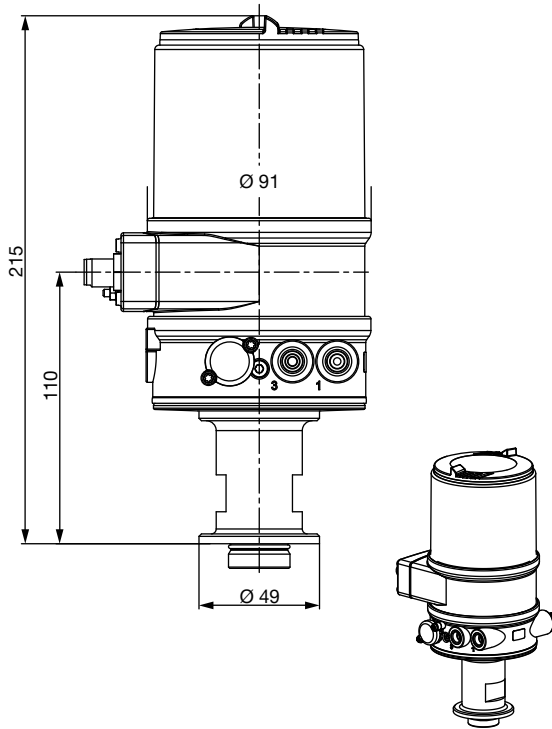
Actuator type	Designation actuator/valve Alfa Laval	Article no. adapter kit for Bürkert control heads						
		Type 8681	Type 8691		Type 8695 / 8696		Type 8692 / 8693 / 8694	
		External	Internal	External	Internal	External	Internal	External
<b>Control air supply</b>								
Linear actuator (for seat valves)	Unique Mixproof	251806 𐀀	-	230991 𐀀 1.)	-	-	-	230991 𐀀 1.)
	Unique SSV Ø 85 mm Ø 115 mm Ø 156 mm	251806 𐀀	-	230988 𐀀	-	-	-	230988 𐀀
	SRC Ø 87 mm	251806 𐀀	-	-	-	-	-	-
	Unique 7000	251806 𐀀	-	-	-	-	-	-
	Unique SSV Long Stroke	20004142 𐀀	-	-	-	-	-	-
Rotary actuator (for butterfly/ball valves)	LKLA-T Ø 85 mm for LKB	251806 𐀀	-	230991 𐀀 1.)	-	-	-	230991 𐀀 1.)
	LKLA-T Ø 133 mm for LKB	251806 𐀀	-	230993 𐀀 1.)	-	-	-	230993 𐀀 1.)

1.) Adaptation with stroke compensation

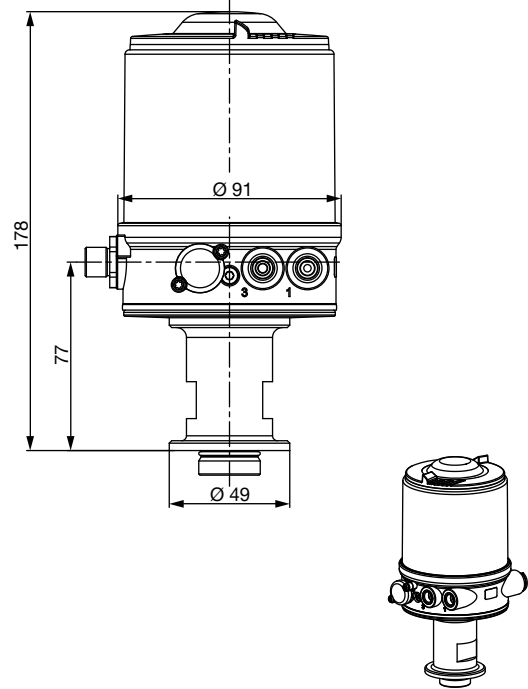
**Note:**  
Dimensions in mm



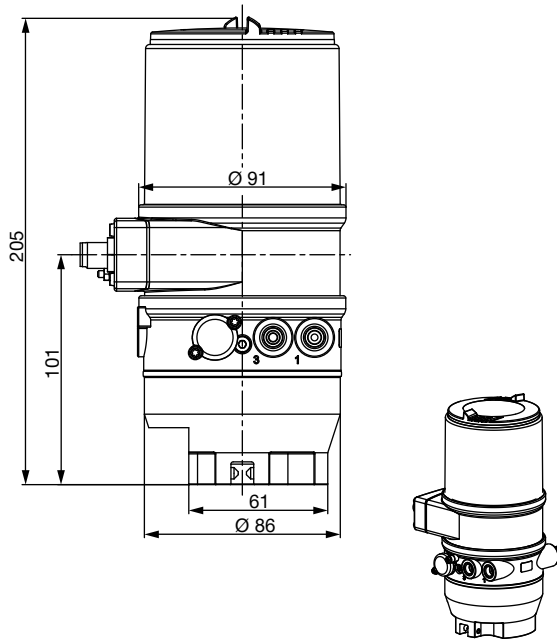
Unique SSV  
Type 8692 and 8693



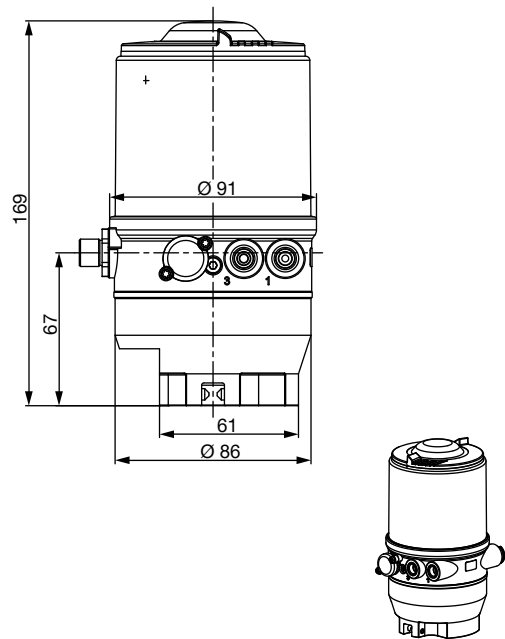
Type 8691, 8694 and 8798 Remote



Unique and LKLA-T  
Type 8692 and 8693



Type 8691, 8694 and 8798 Remote



#### 4.4. Ordering chart Bürkert adapter kits suitable for GEA Tuchenhagen valves

**Note:**

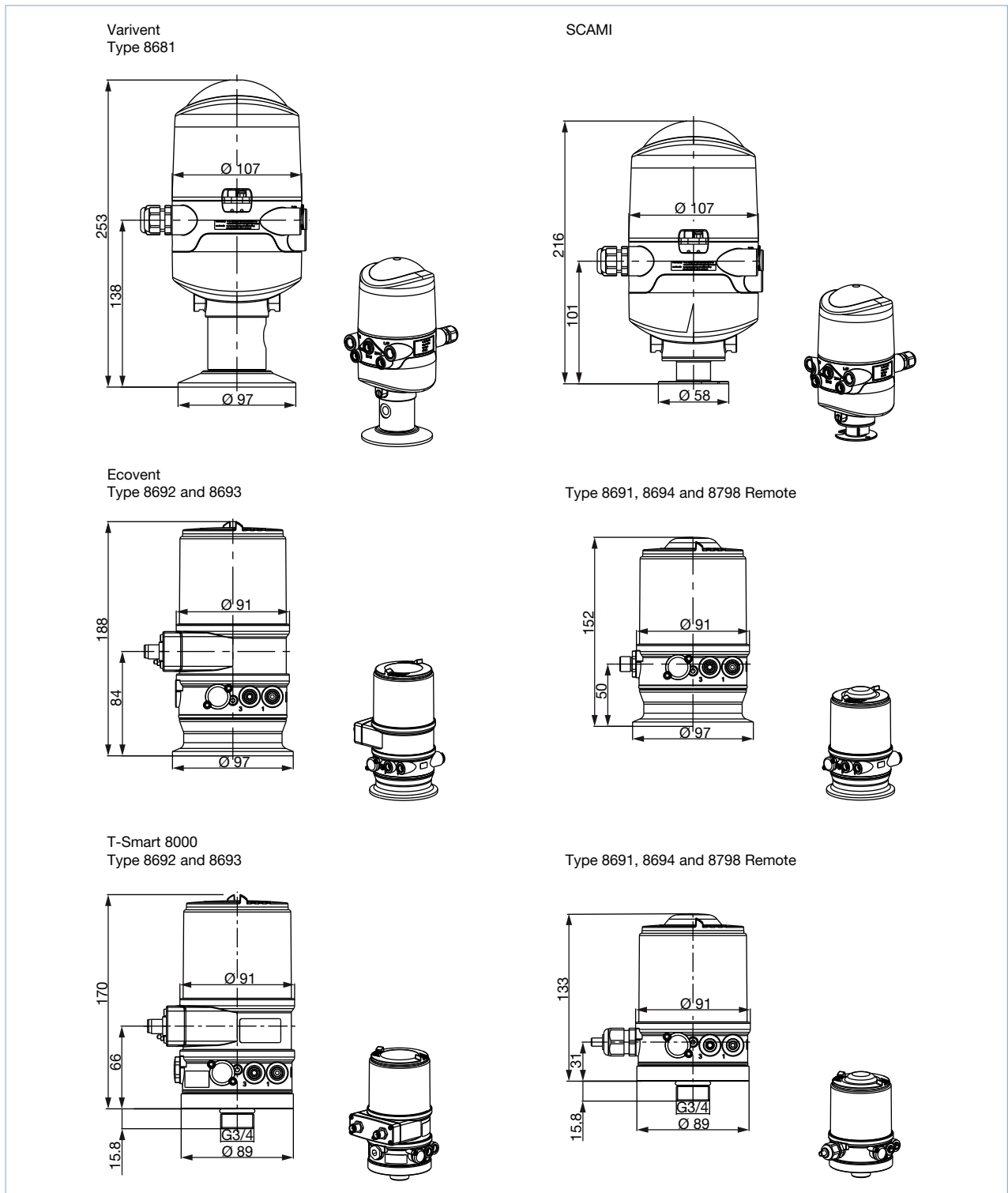
- For detailed notes, please refer to chapter “4.1. Notes regarding product selection” on page 10.
- Further versions are available on request.
- The adapter kits can only be used in combination with GEA Tuchenhagen valves with circuit function A - circuit function B after prior testing or on request.

Actuator type	Designation actuator/valve GEA Tuchenhagen	Article no. adapter kit for Bürkert control heads						
		Type 8681	Type 8691		Type 8695 / 8696		Type 8692 / 8693 / 8694	
		External	Internal	External	Internal	External	Internal	External
Control air supply								
Linear actuator (for seat valves)	ECOVENT	230973 <sup>1)</sup>	–	230964 <sup>1)</sup>	–	–	–	230964 <sup>1)</sup>
	VARIVENT AA - EH5 Z ZBB - ZEH Mixproof	230973 <sup>1)</sup>	363157 <sup>1)</sup>	–	–	–	363157 <sup>1)</sup>	–
	VARIVENT DF6 - SN6 ZEK6Z - SN6Z	230973 <sup>1)</sup>	–	–	–	–	–	–
Rotary actuator (for butterfly/ball valves)	T-Smart 7 T-Smart 9	279454 <sup>1)</sup>	285389 <sup>1)</sup>	–	–	–	285389 <sup>1)</sup>	–
	T-Smart 8000	230967 <sup>2)</sup>	239178 <sup>1)</sup>	–	–	–	239178 <sup>1)</sup>	–

1.) Adaptation with stroke compensation

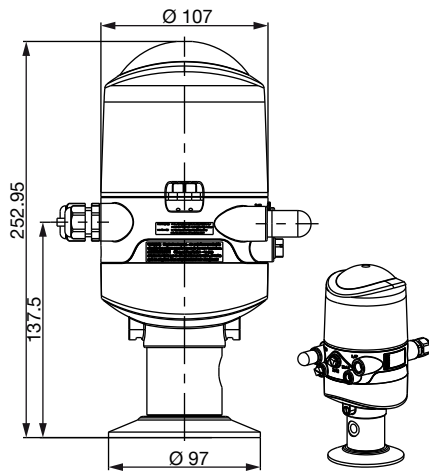
2.) Discontinued drive model replaced by T-Smart 7

**Note:**  
Dimensions in mm

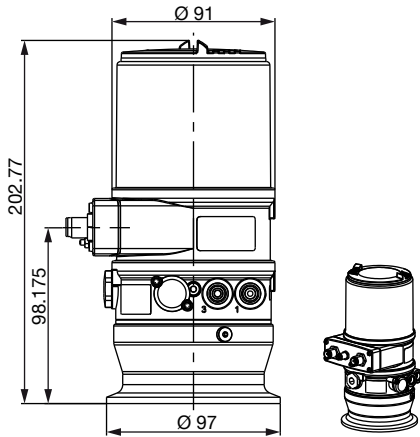


DTS 1000184481 EN Version: X Status: RL (released | freigegeben | valide) printed: 26.10.2021

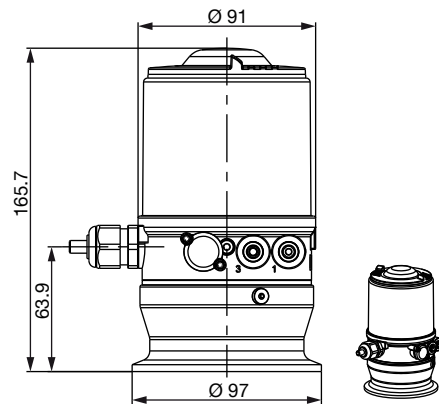
T-Smart 7/T-Smart 9  
Type 8681



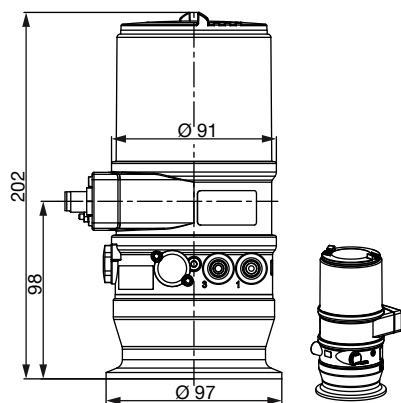
T-Smart 7/T-Smart 9  
Type 8692 and 8693



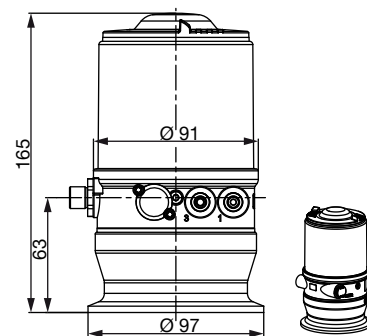
Type 8691, 8694 and 8798 Remote



Varivent  
Type 8692 and 8693

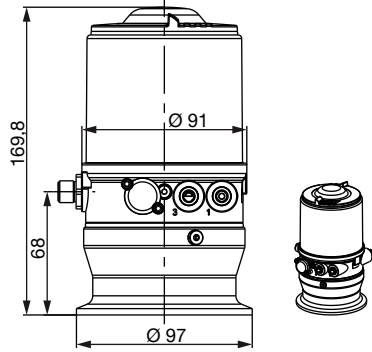


Type 8691, 8694 and 8798 Remote

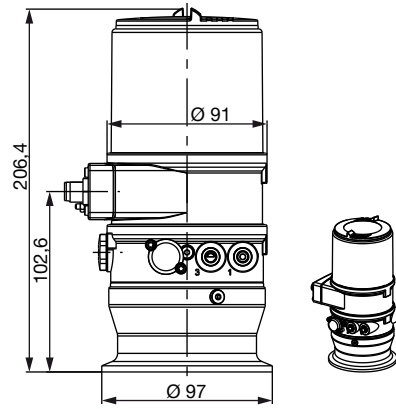




Varivent AA - EH5 / Z ZBB - ZEH Mixproof  
Type 8691 and 8798 Remote



Type 8692 and 8693



#### 4.5. Ordering chart Bürkert adapter kits suitable for Definox valves

**Note:**

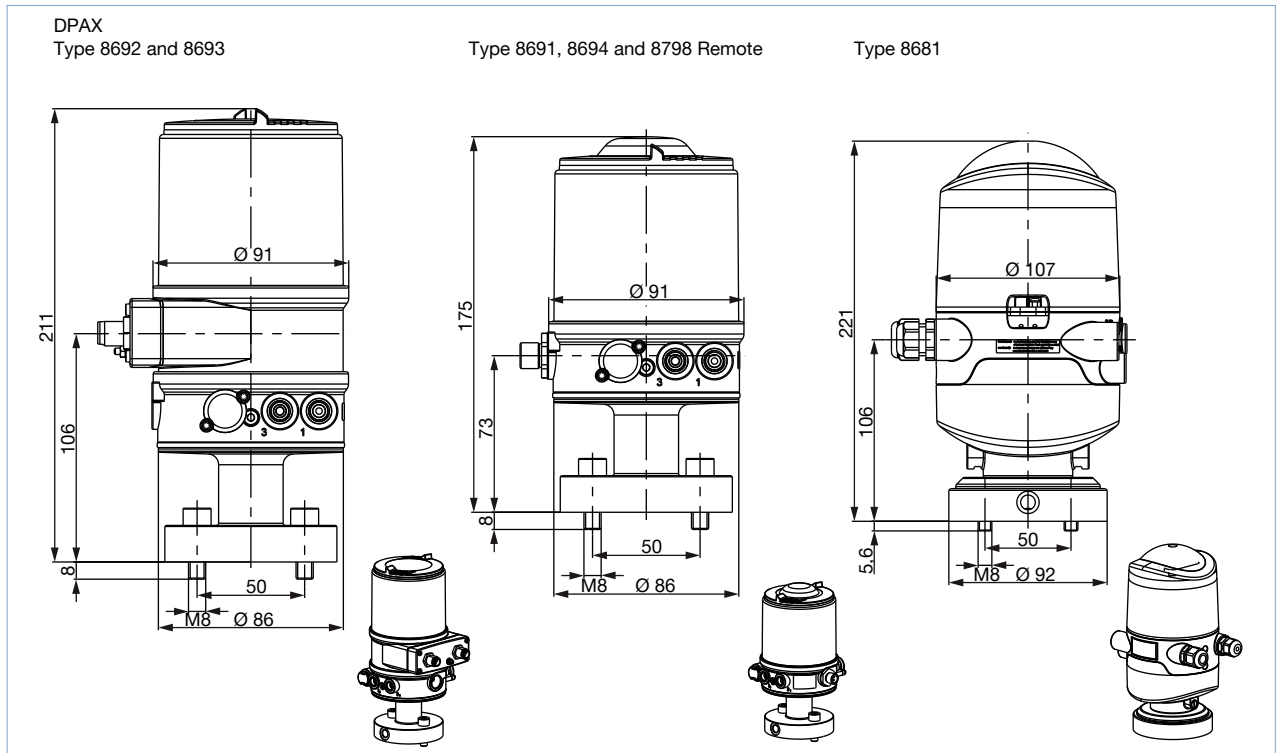
- For detailed notes, please refer to chapter “4.1. Notes regarding product selection” on page 10.
- Further versions are available on request.

Actuator type	Designation actuator/valve Definox	Article no. adapter kit for Bürkert control heads						
		Type 8681	Type 8691		Type 8695 / 8696		Type 8692 / 8693 / 8694 Type 8791 / 8792 / 8793 with 8798 Remote	
Control air supply		External	Internal	External	Internal	External	Internal	External
Linear actuator (for seat valves)	VDCI MC PFA DN 38 - 51	-	-	230968 𠄎	-	-	-	230968 𠄎
	VDCI MC PFA DN 38 - 51/63 - 80/ 104 - 150	378996 𠄎	-	-	-	-	-	-
	VEOX DN 63 - 80/ 104 - 150							
	DCX3 DN 25 - 38/ 63 - 76/65 - 80/100/104 DCX4 DN 25 - 38/ 63 - 76/65 - 80/100/104	379015 𠄎	-	230968 𠄎	-	-	-	230968 𠄎
Rotary actuator (for butterfly/ball valves)	DPAX DN 25/80/104/125/150	378996 𠄎	-	682583 𠄎 1.)	-	-	-	682583 𠄎 1.)
	DBAX DN 25 - 80	-	-	682583 𠄎	-	-	-	682583 𠄎
	DBAX DN 25/50/80/104/150	378996 𠄎	-	-	-	-	-	-

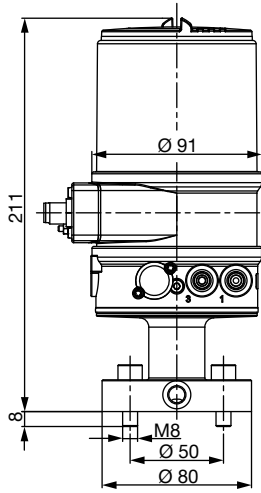
1.) Adaptation with stroke compensation

**Note:**

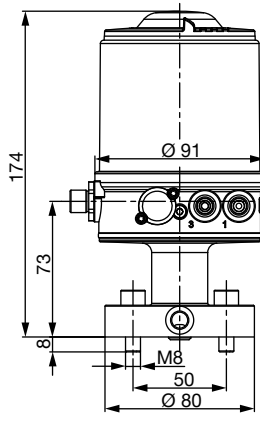
Dimensions in mm



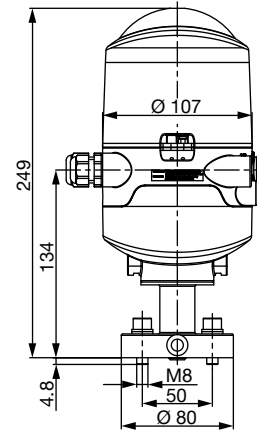
DCX3 and DCX4  
Type 8692 and 8693



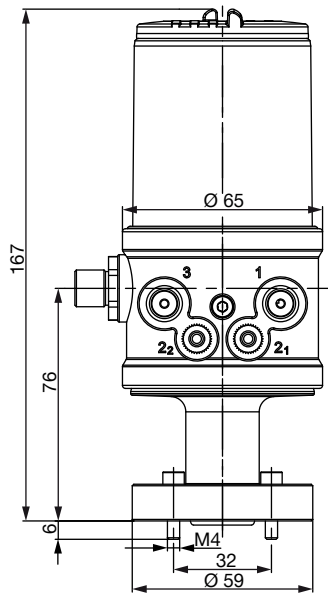
Type 8691, 8694 and 8798



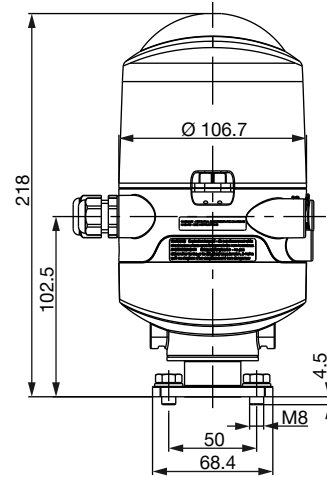
Type 8681



DMAX  
Type 8695 and 8696



VDCI MC PFA  
DCX3/DCX4" Type 8681



#### 4.6. Ordering chart Bürkert adapter kits suitable for Aseptomag valves

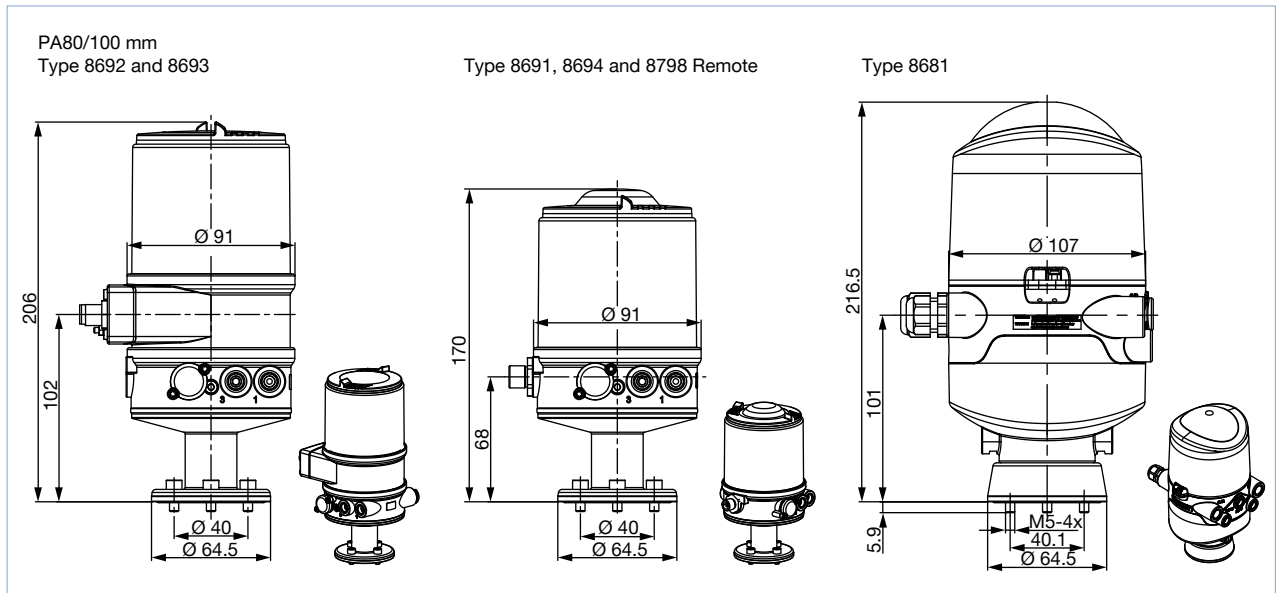
**Note:**

- For detailed notes, please refer to chapter “4.1. Notes regarding product selection” on page 10.
- Further versions are available on request.

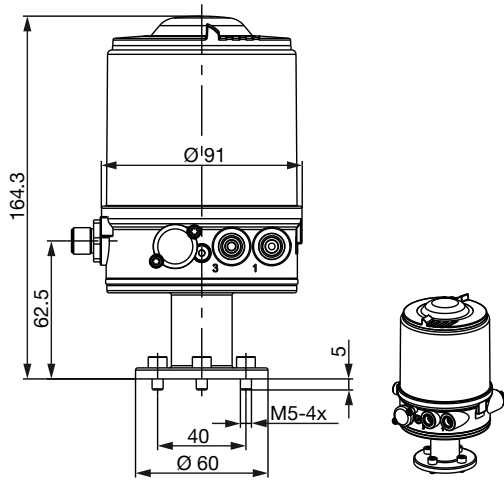
Actuator type	Designation actuator/valve Aseptomag	Article no. adapter kit for Bürkert control heads						
		Type 8681	Type 8691		Type 8695 / 8696		Type 8692 / 8693 / 8694 Type 8791 / 8792 / 8793 with 8798 Remote	
Control air supply		External	Internal	External	Internal	External	Internal	External
Linear actuator (for seat valves)	PA Ø 50/60 mm	-	-	230984 ☞	673735 ☞	-	-	230984 ☞
	PA Ø 80/100 mm	230985 ☞	-	230984 ☞	-	-	-	230984 ☞
	PA Ø 50 to 210 mm	-	-	20001990 ☞	-	-	-	20001990 ☞

**Note:**

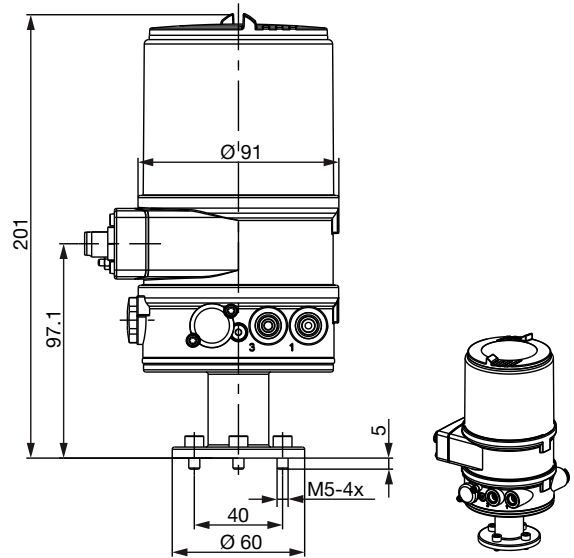
Dimensions in mm



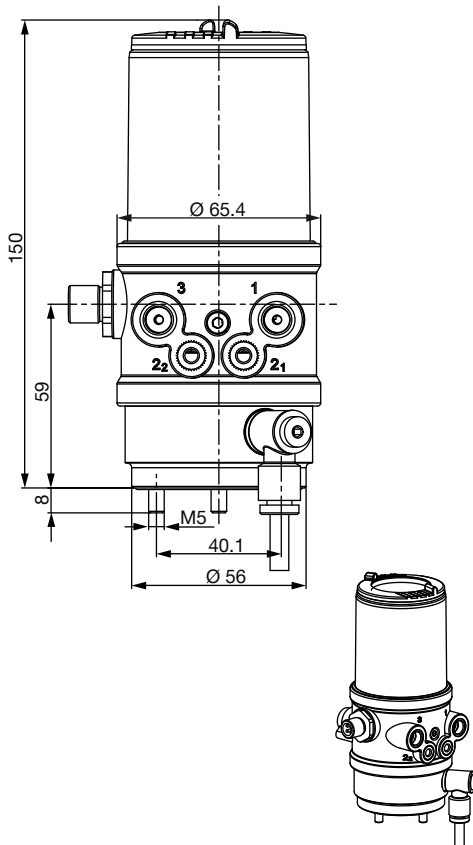
PA Ø 50 to 210 mm  
Type 8691 and 8798 Remote



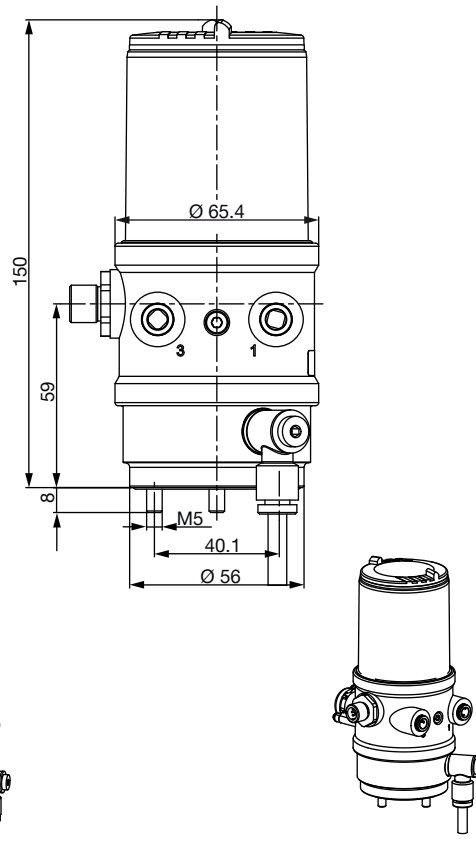
Type 8692 and 8693



PA 50/60 mm  
Type 8695



Type 8696



#### 4.7. Ordering chart Bürkert adapter kits suitable for APV/SPX valves

**Note:**

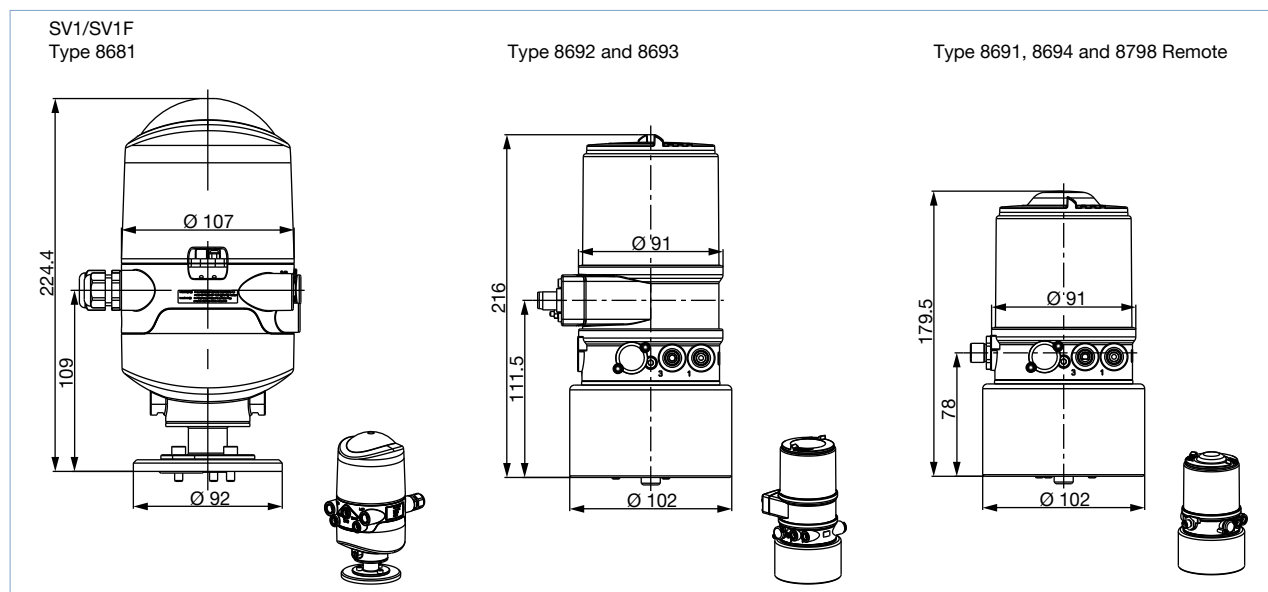
For detailed notes, please refer to chapter “4.1. Notes regarding product selection” on page 10.

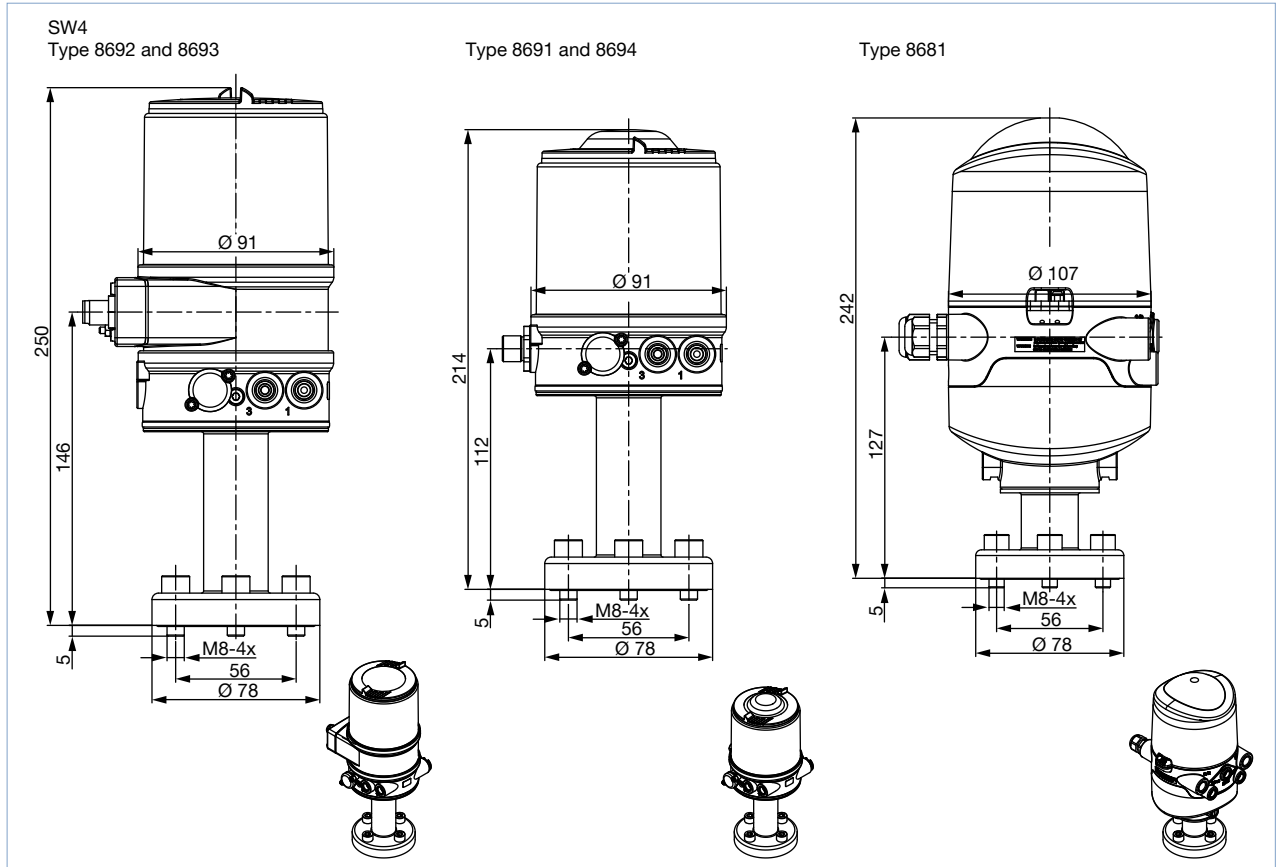
Actuator type	Designation actuator/valve APV/SPX	Article no. adapter kit for Bürkert control heads						
		Type 8681	Type 8691		Type 8695 / 8696		Type 8692 / 8693 / 8694	
		External	Internal	External	Internal	External	Internal	External
Linear actuator (for seat valves)	SW4	230966 <sup>☞</sup>	-	230972 <sup>☞</sup>	-	-	-	230972 <sup>☞</sup>
Rotary actuator (for butterfly/ball valves)	SV1/SV1F Ø 85 mm	230992 <sup>☞</sup>	230981 <sup>☞ 1.)</sup>	-	-	-	230981 <sup>☞ 1.)</sup>	-

1.) Adaptation with stroke compensation

**Note:**

Dimensions in mm





#### 4.8. Ordering chart Bürkert adapter kits suitable for Bardiani valves

**Note:**

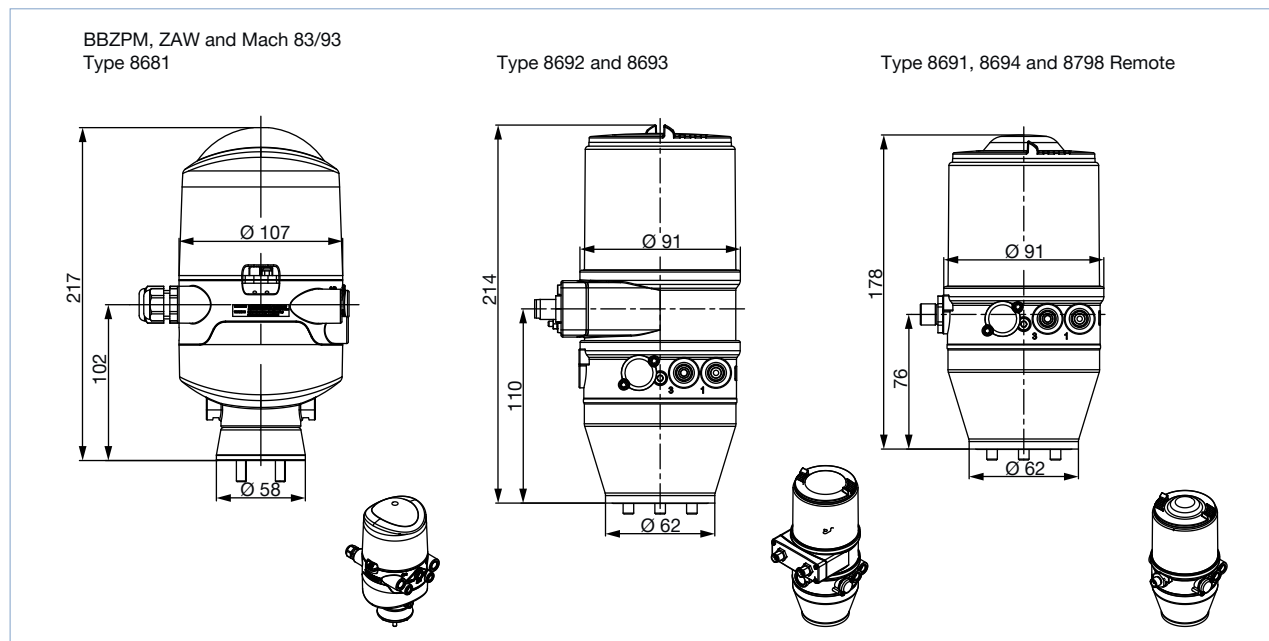
- For detailed notes, please refer to chapter “4.1. Notes regarding product selection” on page 10.
- Further versions are available on request.

Actuator type	Designation actuator/valve Bardiani	Article no. adapter kit for Bürkert control heads						
		Type 8681	Type 8691		Type 8695 / 8696		Type 8692 / 8693 / 8694 Type 8791 / 8792 / 8793 with 8798 Remote	
Control air supply		External	Internal	External	Internal	External	Internal	External
Linear actuator (for seat valves)	BBZPM	683478 ☒	-	682640 ☒	-	-	-	682640 ☒
	MACH83 MACH98	-	-	682639 ☒	-	-	-	682639 ☒
	ZAW <sup>1)</sup> DN40...DN65	-	-	230980 ☒	-	-	-	230980 ☒
	ZAW <sup>1)</sup> DN80...DN100	-	-	682640 ☒	-	-	-	682640 ☒
	ZD90 <sup>1)</sup>	246082 ☒	-	245909 ☒	-	-	-	245909 ☒
	BZAW DN40...DN100	683478 ☒	-	682640 ☒	-	-	-	682640 ☒
	B925 DN10...DN50 B935 DN10...DN50	683478 ☒	-	230980 ☒	-	-	-	230980 ☒

1.) Phased out model

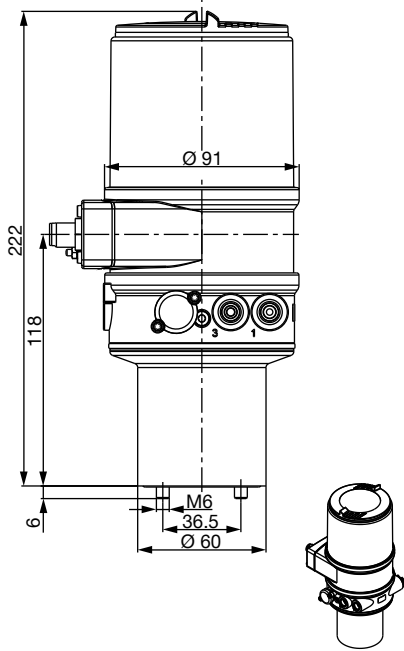
**Note:**

Dimensions in mm

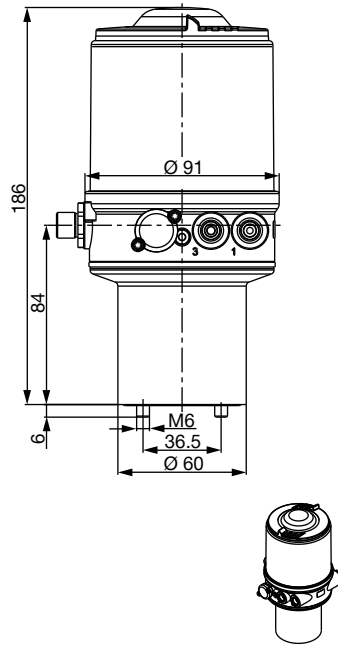




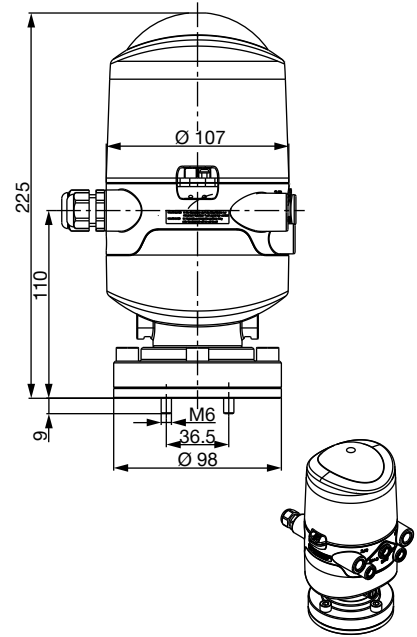
ZD90  
Type 8692 and 8693



Type 8691 and 8694



Type 8681



#### 4.9. Ordering chart Bürkert adapter kits suitable for Tyco Hovap valves

**Note:**

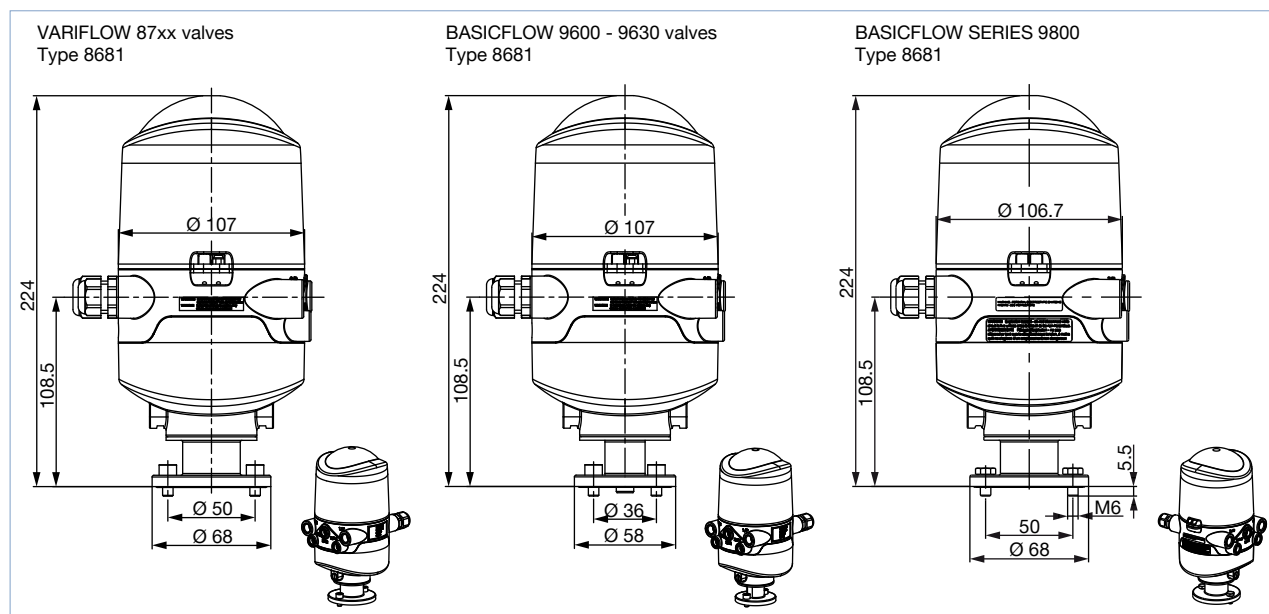
- For detailed notes, please refer to chapter “4.1. Notes regarding product selection” on page 10.
- Further versions are available on request.

Actuator type	Designation actuator/valve Tyco Hovap	Article no. adapter kit for Bürkert control heads						
		Type 8681	Type 8691		Type 8695 / 8696		Type 8692 / 8693 / 8694 Type 8791 / 8792 / 8793 with 8798 Remote	
Control air supply		External	Internal	External	Internal	External	Internal	External
Linear actuator (for seat valves)	VARIOFLOW SERIE 87XX	230983 ☞	-	-	-	-	-	-
	BASICFLOW SERIES 9800	370743 ☞	-	-	-	-	-	-
	BASICFLOW SERIE 9600 - 9630 <sup>1.)</sup>	230982 ☞	-	-	-	-	-	-

1.) Phased out model

**Note:**

Dimensions in mm



#### 4.10. Ordering chart Bürkert adapter kits suitable for Millipore NovAseptic valves

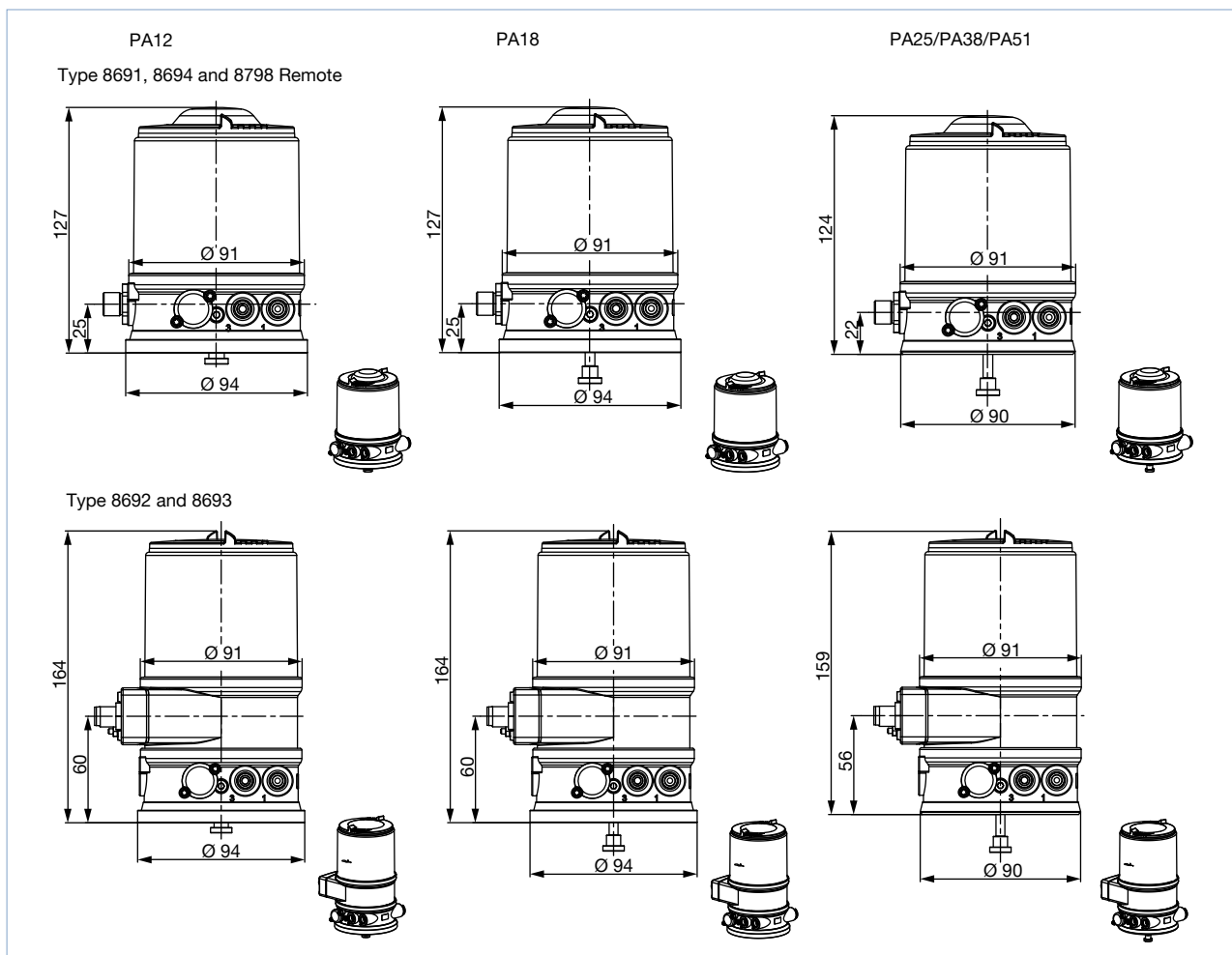
**Note:**

- For detailed notes, please refer to chapter “4.1. Notes regarding product selection” on page 10.
- Further versions are available on request.

Actuator type	Designation actuator/valve Millipore NovAseptic	Article no. adapter kit for Bürkert control heads						
		Type 8681	Type 8691		Type 8695 / 8696		Type 8692 / 8693 / 8694 Type 8791 / 8792 / 8793 with 8798 Remote	
Control air supply		External	Internal	External	Internal	External	Internal	External
Linear actuator (for seat valves)	NovAseptic PA12	-	-	235328	-	-	-	235328
	NovAseptic PA18	-	-	235355	-	-	-	235355
	NovAseptic PA25/PA38/PA51	-	-	235329	-	-	-	235329

**Note:**

Dimensions in mm



4.11. Ordering chart Bürkert adapter kits suitable for Kieselmann valves

Note:

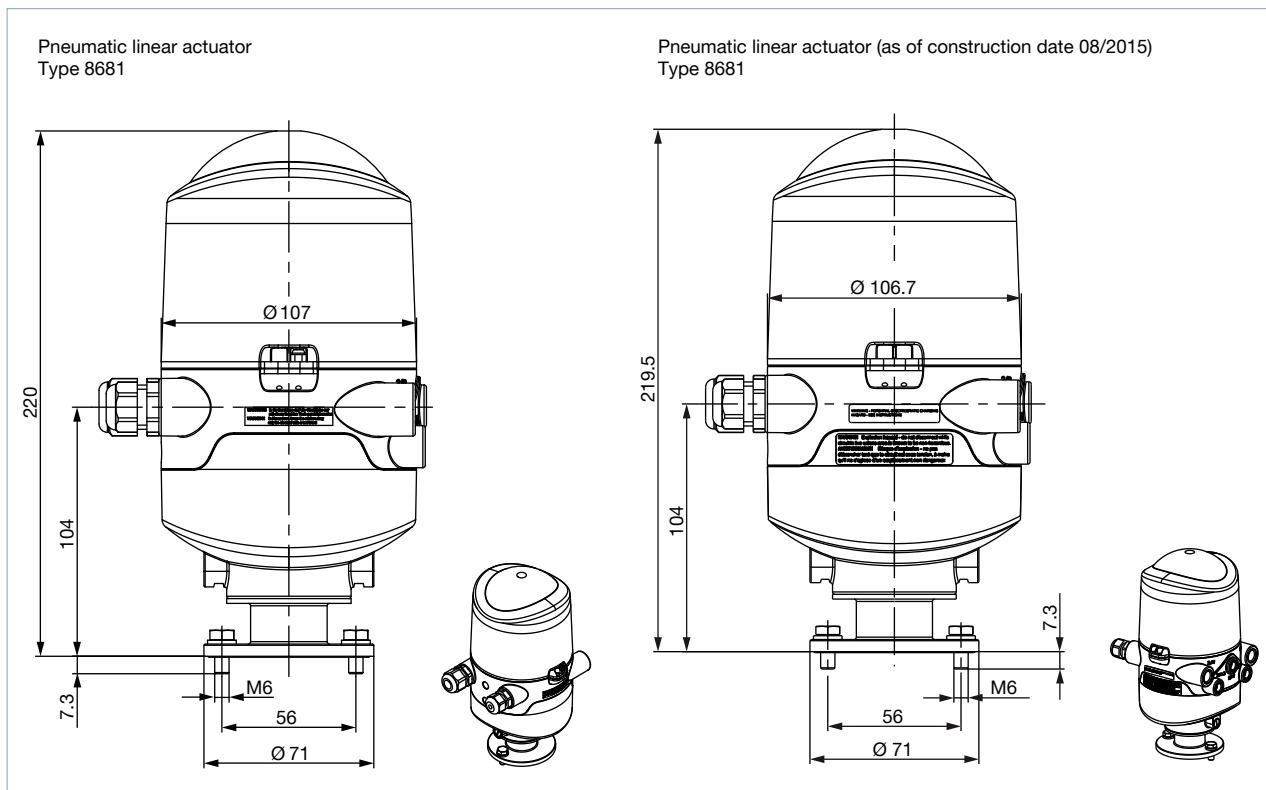
- For detailed notes, please refer to chapter “4.1. Notes regarding product selection” on page 10.
- Further versions are available on request.

Actuator type	Designation actuator/valve Kieselmann	Article no. adapter kit for Bürkert control heads						
		Type 8681	Type 8691		Type 8695 / 8696		Type 8692 / 8693 / 8694 Type 8791 / 8792 / 8793 with 8798 Remote	
Control air supply		External	Internal	External	Internal	External	Internal	External
Linear actuator (for seat valves)	Pneumatic linear actuator	245852 ☒	–	681705 ☒	–	–	–	681705 ☒
	Pneumatic linear actuator (as of construction date 08/2015)	368062 ☒	–	–	–	–	–	–
Rotary actuator (for butterfly/ball valves)	Pneumatic rotary actuator PDA 75	–	–	–	–	–	673745 ☒ 1.)	–
	Pneumatic rotary actuator PDA 100	–	–	–	–	–	673717 ☒ 1.)	–

1.) Adaption for control units with rotary sensor, Type 8694

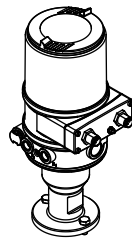
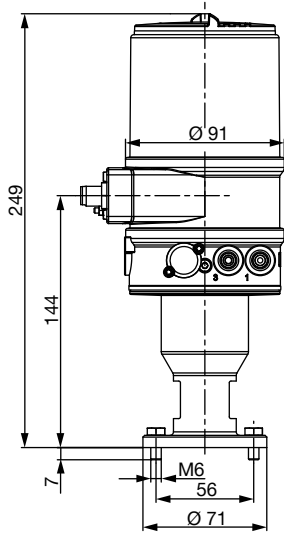
Note:

Dimensions in mm

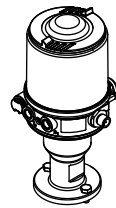
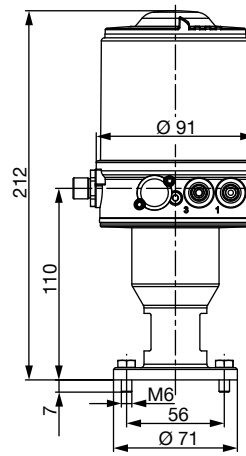


DTS 1000184481 EN Version: X Status: RL (released | freigegeben | validé) printed: 26.10.2021

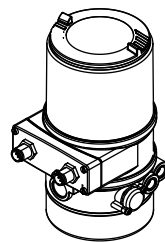
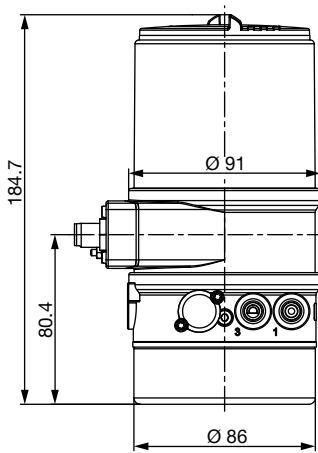
Pneumatic linear actuator  
Type 8692/8693



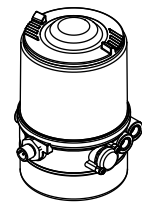
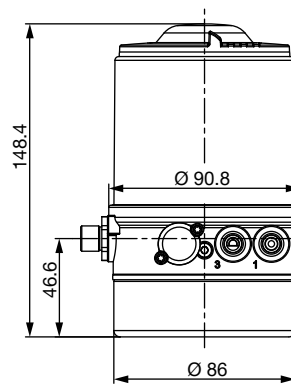
Type 8691/8694

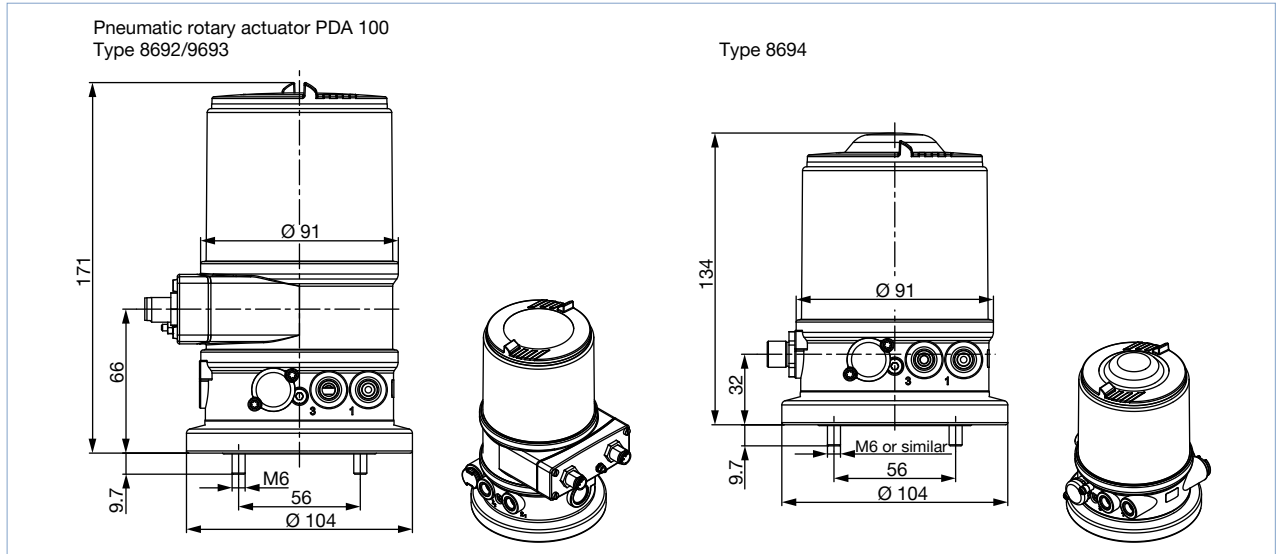


Pneumatic rotary actuator PDA 75  
Type 8692/8693



Type 8694





#### 4.12. Ordering chart Bürkert adapter kits suitable for Nocado valves

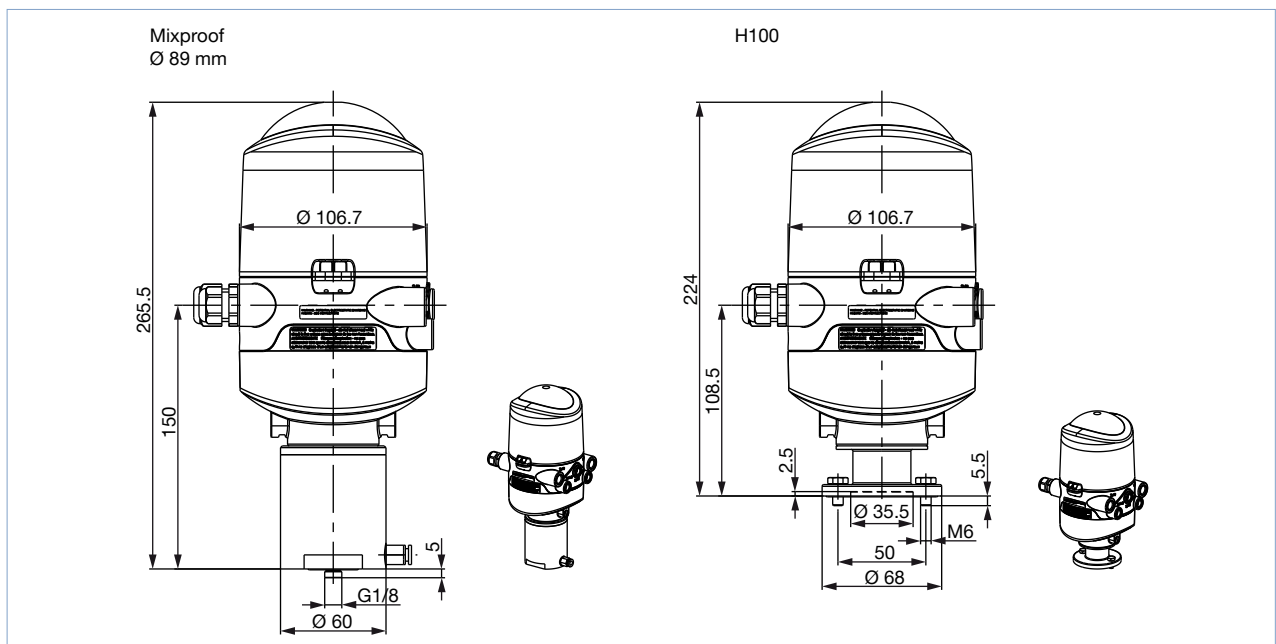
**Note:**

- For detailed notes, please refer to chapter “4.1. Notes regarding product selection” on page 10.
- Further versions are available on request.

Actuator type	Designation actuator/valve Nocado	Article no. adapter kit for Bürkert control heads						
		Type 8681	Type 8691		Type 8695 / 8696		Type 8692 / 8693 / 8694 Type 8791 / 8792 / 8793 with 8798 Remote	
Control air supply		External	Internal	External	Internal	External	Internal	External
Rotary actuator (for butterfly/ball valves)	H100	370742 ☒	-	-	-	-	-	-
	Mixproof Ø 89 mm	326514 ☒	-	-	-	-	-	-

**Note:**

Dimensions in mm



### 4.13. Ordering chart Bürkert adapter kits suitable for INOXPA valves

**Note:**

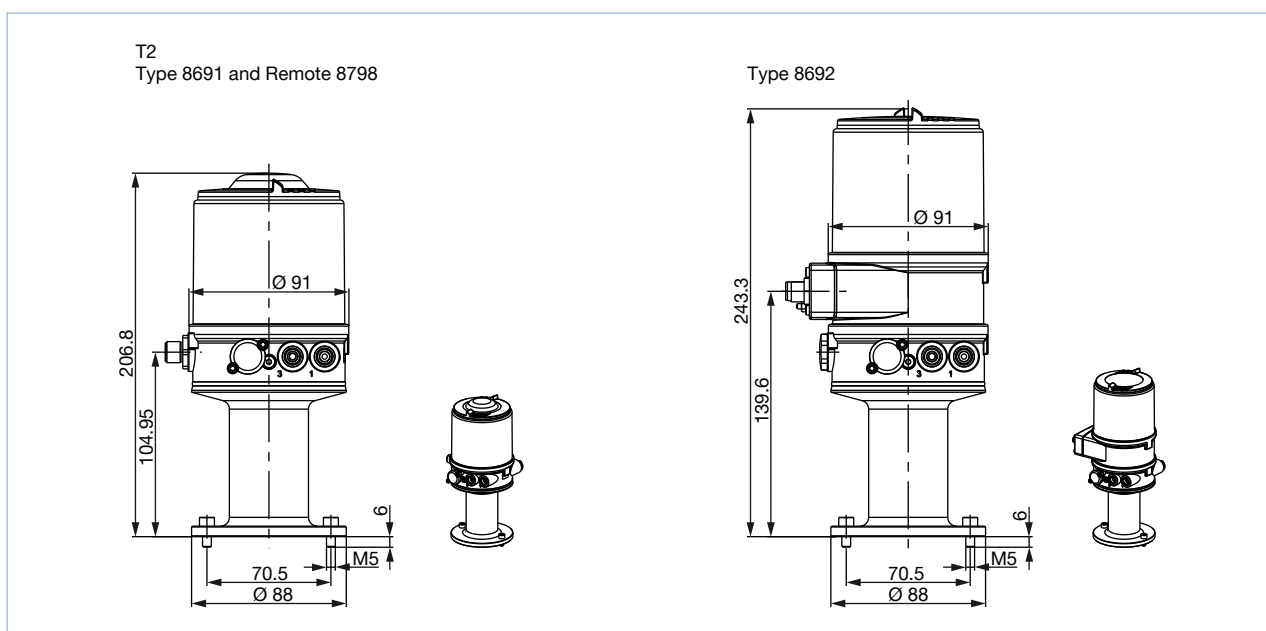
- For detailed notes, please refer to chapter “4.1. Notes regarding product selection” on page 10.
- Further versions are available on request.

Actuator type	Designation actuator/valve INOXPA	Article no. adapter kit for Bürkert control heads						
		Type 8681	Type 8691		Type 8695 / 8696		Type 8692 / 8693 / 8694 Type 8791 / 8792 / 8793 with 8798 Remote	
Control air supply		External	Internal	External	Internal	External	Internal	External
Linear actuator (for seat valves)	T2	–	–	364448 <sup>1.)</sup>	–	–	–	–

1.) Adaptation with stroke compensation

**Note:**

Dimensions in mm



# Bürkert – Close to You

For up-to-date addresses  
please visit us at  
[www.burkert.com](http://www.burkert.com)

DTS 1000184481 EN Version: X Status: RL (released | freigegeben | validé) printed: 26.10.2021

