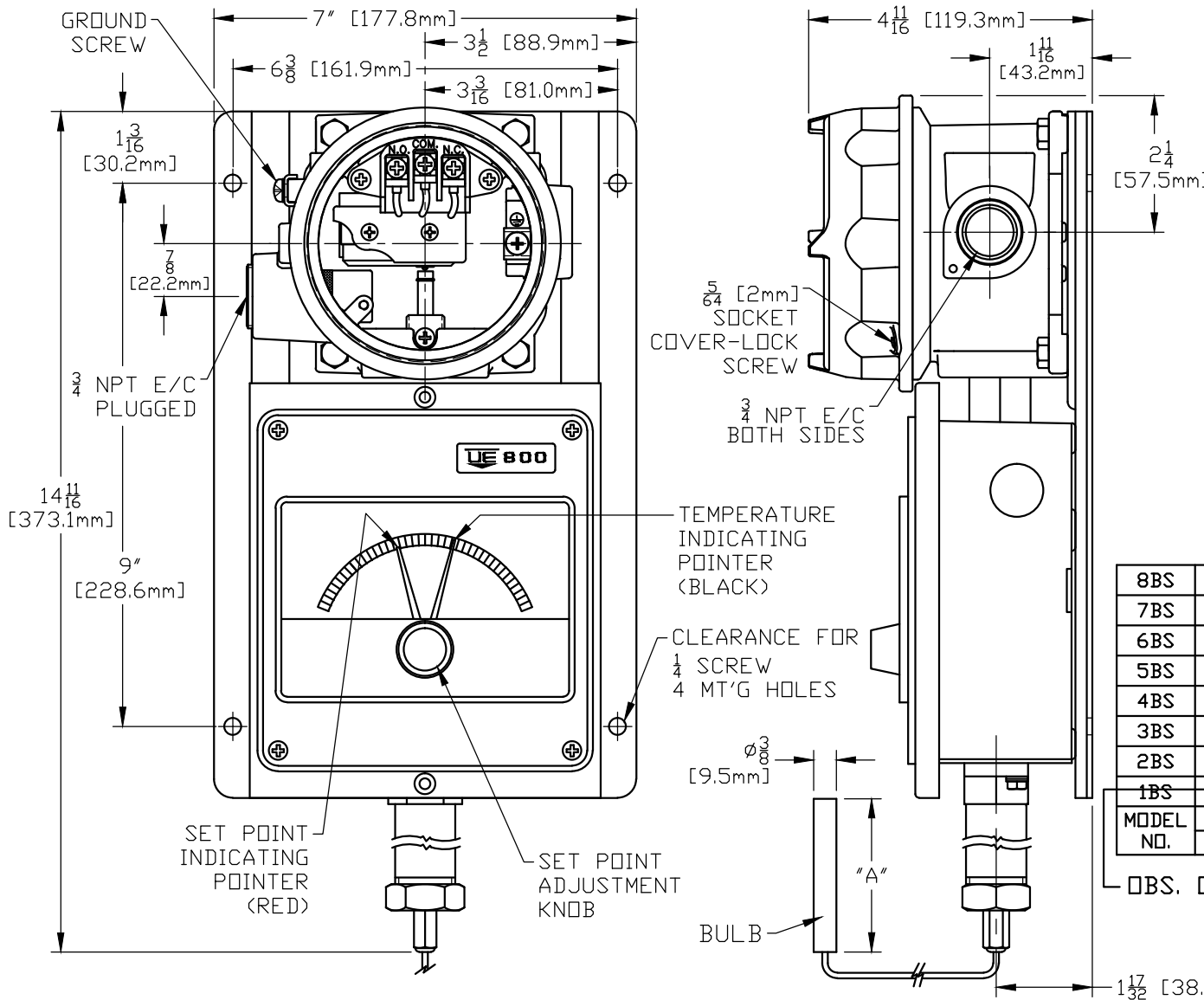


A-12198



**APPROVALS:**  
 cULus LISTED  
 CLASS I, DIVISIONS 1 & 2, GROUPS B, C & D  
 CLASS II, DIVISIONS 1 & 2, GROUPS E, F & G  
 CLASS III  
 CLASS I, ZONE 1, GROUP IIB + H<sub>2</sub> T6  
 ENCLOSURE TYPE 4X, 7, 9  
 -50°C ≤ Tamb. ≤ +71°C



CE 0539 ATEX APPROVED  
 Ex II 2 G/D Ex d IIC T6 Gb  
 -40°C ≤ Tamb. ≤ +75°C  
 IP66

CE COMPLIANT TO APPLICABLE DIRECTIVE(S)  
 I & M SHEET IM800

8BS	50 TO 650	10 TO 340	3 1/4	82.6mm
7BS	0 TO 400	-17.8 TO 204.4	3"	76.2mm
6BS	0 TO 250	-20 TO 120	4 1/2	114.3mm
5BS	-40 TO 180	-40 TO 80	5"	127.0mm
4BS	-40 TO 120	-40 TO 50	6 3/4	171.5mm
3BS	-125 TO 500	-85 TO 260	2 3/8	54.0mm
2BS	-125 TO 350	-85 TO 175	2 1/16	62.0mm
1BS	-180 TO 120	-115 TO 50	3 3/4	95.3mm
MODEL NO.	ADJUSTABLE RANGE		"A" DIM. BULB	

ØBS. DC#27431

✓	REDRAWN, UPDATED AGENCY APPROVALS & °C ADJ. RANGE. ECN#E4601	10-15-12	S.R.	EM
SYM	DESCRIPTION	DATE	DWN	APPD
REVISIONS				

ORIGINAL DATE	7-13-81
DRWN	A.J. FLECCA
CHKD	A.J. MUSTO Jr.
APPD	R.M. DOE
UNLESS OTHERWISE SPECIFIED DIMENSIONS ARE IN INCHES	
DO NOT SCALE THIS DRAWING	

TITLE	820E EXPLOSION PROOF
SCALE	0.375:1

DF001D
<b>UE</b> UNITED ELECTRIC CONTROLS COMPANY WATERTOWN * MASSACHUSETTS
DWG NO A-12198