



PRECISION TEST GAUGES GEARLESS, DIRECT DRIVE PRESSURE GAUGES

Reliable accuracy on critical applications

ADVANTAGES

ONE MOVING PART

Unmatched vibration, pulsation and shock performance. No linkages, springs, gears, or liquid fill to wear, break or leak.

TRAVEL READY

Survives the day to day beatings of an industrial environment or a bumpy ride in the back of a pickup.

TRUSTED ACCURACY

Accuracy is **25%** less affected by temp fluctuations. Trusted in extremes from **-65°F up to 600°F media**. Inconel Element = Low Coefficient of Thermal Expansion

AEROSPACE QUALITY | MILITARY TRUSTED

Direct Drive is demanded on critical applications. The same military grade Direct Drive technology used in our Aerospace and Military designs is used in our industrial gauges for commercial applications.

Lifetime Limited Warranty



ACCURACY (Ref. @ 68°F, ±2°F)

±0.25% F.S. (Grade 3A)

Calibration Certificate Included

Accuracy exceptions. Contact factory for details.

RANGE AVAILABILITY

Vacuum – 15,000 psi (or equivalent)

Single Scale, Dual Scale, Vacuum and Compound psi, bar, kPa, MPa, kg/cm², inHg, mmHg

DIAL

Stainless Steel, Powder Coated Finish

White with Black Markings

WINDOW

Acrylic

Tempered Glass

POINTER

Anodized Aluminum

Zero-adjustable

CONNECTION

316 SS or Monel

¼ or ½ NPT (other options available)

WETTED PARTS

Inconel X-750

300-series SS

Silver Braze (nickel available)

BURST PRESSURE

500% F.S. pressure or 25,000 psi

PROOF PRESSURE

150% F.S. for gauges ≤ 5,000 psi

125% F.S. for gauges ≥ 5,000 psi

CUSTOMIZATION AVAILABLE. CONTACT THE FACTORY.

CASE CONFIGURATIONS

ABS PLASTIC

COLORS

Black, Blue, Green, Red, White, Yellow (availability varies by size)

OPERATING TEMPERATURE

Process: -65°F to 250°F

Ambient: -65°F to 190°F



2.5", 4.5", 6", 8.5"
Front Flange



2.5", 4.5", 6"
No Flange



2.5", 4.5", 6"
Rear Flange



4.5"
Turret

METAL

MILITARY GRADE

HIGH TEMP

High performance cases providing extreme temperature, chemical and shock resistance.



2.5" No Flange
Aluminum



4.5" No Flange
SS Case, Alum. Ring



4.5" No Flange
Stainless Steel



4.5", 8.5"
Rear Flange
Aluminum/Skydrol



4.5" Turret
Glass-Filled Nylon

COLORS

SS and Aluminum: Powder Coated Finish (specify color)

Skydrol: Purple Anodized Ring, Unpainted Case

Glass-Filled Nylon: Available in yellow only

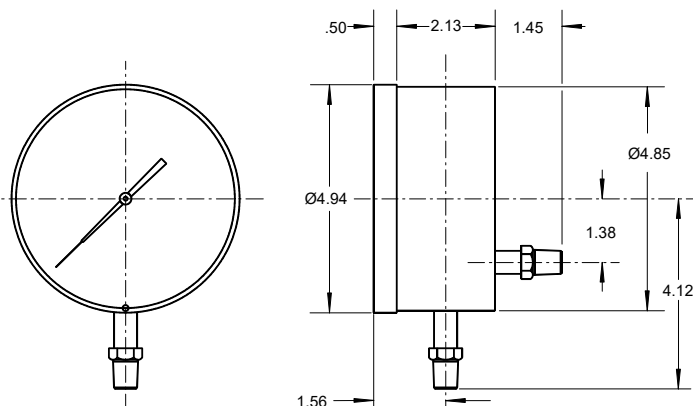
OPERATING TEMPERATURE

Process: -65°F to 600°F

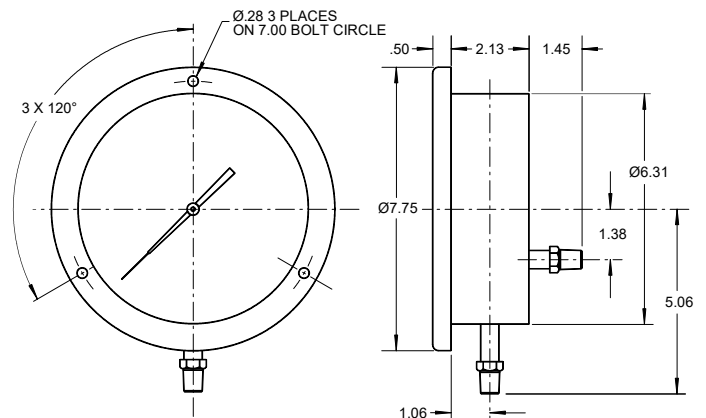
Ambient: -65°F to 400°F

CLEANED FOR OXYGEN SERVICE AVAILABLE.

DIMENSIONAL SPECS (common sizes)



4.5" No Flange



6" Front Flange