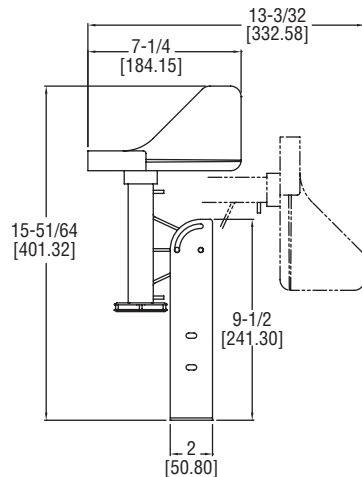
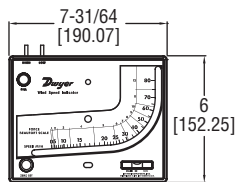


MARK II WIND SPEED INDICATOR



Includes ABS plastic vane, 50' tubing,
mounting hardware and gage fluid.



The **SERIES MARK II** Wind Speed Indicator indicates wind speed directly on the liquid filled scale reading in both miles per hour (0-80) and Beaufort scale (1-12). A metric model is also available, which reads the same as above, but reading 0-130 kilometers per hour. The Mark II Wind Speed Indicator is an accurate, economically priced option for measuring wind speed.

FEATURES/BENEFITS

- Durable molded white instrument with gold scale
- English and metric units available

APPLICATIONS

- Weather monitoring stations

MODEL CHART	
Model	Scale
Mark II WSI	mph
Mark II WSI Metric	kph
Note: Standard discounts do not apply to the Wind Speed Indicator. Sporting goods dealers and distributors. Contact factory for quantity discounts.	