



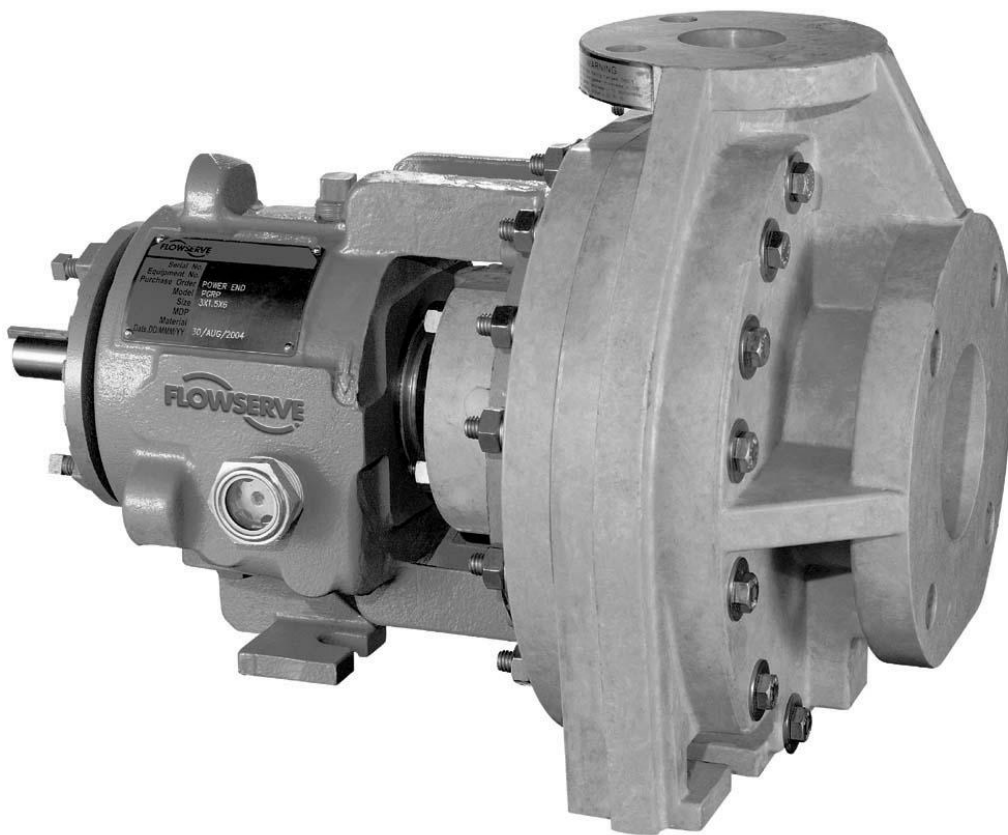
USER INSTRUCTIONS

PolyChem GRP

ANSI B73.5M standard horizontal and self-priming non-metallic, frame-mounted pump

PCN=71569132 12-04A (E). Original instructions.

Installation
Operation
Maintenance



These instructions must be read prior to installing, operating, using and maintaining this equipment.

Experience In Motion

CONTENTS

	Page		Page
1 INTRODUCTION AND SAFETY	4	6 MAINTENANCE	31
1.1 General	4	6.1 General	31
1.2 CE marking and approvals	4	6.2 Maintenance schedule	32
1.3 Disclaimer	4	6.3 Spare parts	32
1.4 Copyright	4	6.4 Recommended spares and	
1.5 Duty conditions	4	consumable items	33
1.6 Safety	5	6.5 Tools required	33
1.7 Nameplate and safety labels	8	6.6 Fastener torques	33
1.8 Specific machine performance	9	6.7 Setting impeller clearance	34
1.9 Noise level	9	6.8 Disassembly	35
2 TRANSPORT AND STORAGE	10	6.9 Examination of parts	38
2.1 Consignment receipt and unpacking	10	6.10 Assembly of pump and seal	40
2.2 Handling	10	7 FAULTS; CAUSES AND REMEDIES	45
2.3 Lifting	10	8 PARTS LISTS AND DRAWINGS	48
2.4 Storage	10	8.1 PolyChem GRP pump, Group 1	48
2.5 Recycling and end of product life	11	8.2 PolyChem GRP pump, Group 2	49
3 DESCRIPTION	11	8.3 PolyChem GRP pump, Group 3	50
3.1 Configurations	11	8.4 General arrangement drawing	51
3.2 Name nomenclature	11	9 CERTIFICATION	51
3.3 Design of major parts	12	10 OTHER RELEVANT DOCUMENTATION	
3.4 Performance and operating limits	12	AND MANUALS	51
4 INSTALLATION	13	10.1 Supplementary User Instruction manuals ..	51
4.1 Location	13	10.2 Change notes	51
4.2 Part assemblies	13	10.3 Additional sources of information	51
4.3 Foundation	13		
4.4 Grouting	15		
4.5 Initial alignment	16		
4.6 Piping	17		
4.7 Electrical connections	23		
4.8 Final shaft alignment check	23		
4.9 Protection systems	23		
5 COMMISSIONING, START-UP, OPERATION			
AND SHUTDOWN	24		
5.1 Pre-commissioning procedure	24		
5.2 Pump lubricants	24		
5.3 Impeller clearance	26		
5.4 Direction of rotation	27		
5.5 Guarding	27		
5.6 Priming and auxiliary supplies	28		
5.7 Starting the pump	29		
5.8 Running or operation	29		
5.9 Stopping and shutdown	30		
5.10 Hydraulic, mechanical and electrical duty ...	30		

INDEX

	Page		Page
Additional sources (10.3)	51	Reassembly (see 6.10, Assembly).....	40
Alignment (see 4.3, 4.5 and 4.8)		Receipt and unpacking (2.1).....	10
Assembly (6.10).....	40	Recommended fill quantities (figure 5-2).....	25
ATEX marking (1.6.4.2).....	7	Recommended oil lubricants (figure 5.3).....	25
CE marking and approvals (1.2).....	4	Recommended spares (6.4)	33
Certification (9)	51	Recycling (2.5)	11
Change notes (10.2)	51	Replacement parts (see 6.3 and 6.4).....	32/33
Clearances, impeller (6.7)	34	Running the pump (5.8).....	29
Commissioning and operation (5).....	24	Safety action (1.6.3)	5
Compliance, ATEX (1.6.4.1).....	7	Safety labels (1.7.2)	8
Configurations (3.1)	11	Safety markings (1.6.1)	5
Copyright (1.4).....	4	Safety, protection systems (see 1.6 and 4.9)	
Design of major parts (3.3).....	12	Sectional drawings (8)	48
Direction of rotation (5.4).....	27	Setting impeller clearance (6.7)	34
Disassembly (6.8)	35	Sound pressure level (1.9, Noise level).....	9
Disclaimer (1.3).....	4	Sources, additional information (10.3).....	51
Dismantling (6.8, Disassembly)	35	Spare parts (6.3)	32
Drawings (8)	48	Specific machine performance (1.8)	9
Duty conditions (1.5)	4	Starting the pump (5.7).....	29
Electrical connections (4.7)	23	Stopping and shutdown (5.9).....	30
End of product life (2.5).....	11	Storage, pump (2.4)	10
Examination of parts (6.9)	38	Storage, spare parts (6.3.2).....	32
Fastener torques (6.6).....	33	Supplementary manuals or information sources.....	51
Faults; causes and remedies (7)	45	Supplementary User Instructions (10.1).....	51
Foundation (4.3)	13	Tools required (6.5)	33
General arrangement drawing (8.4).....	51	Torques for fasteners (6.6)	33
General assembly drawings (8).....	48	Trouble-shooting (see 7)	45
Grouting (4.4)	15	Vibration (5.8.8).....	30
Guarding (5.5)	27		
Handling (2.2).....	10		
Hydraulic, mechanical and electrical duty (5.10).....	30		
Impeller clearance (see 5.3 and 6.7)			
Inspection (6.2.1 and 6.2.2).....	32		
Installation (4).....	13		
Lifting (2.3).....	10		
Location (4.1).....	13		
Lubrication (see 5.2)	24		
Maintenance (6).....	31		
Maintenance schedule (6.2).....	32		
Name nomenclature (3.2).....	11		
Nameplate (1.7.1)	8		
Operating limits (see 3.4)	12		
Ordering spare parts (6.3.1)	32		
Part assemblies (4.2)	13		
Parts lists (see 8)	48		
Performance (3.4).....	12		
Piping (4.6).....	17		
Pre-commissioning (5.1)	24		
Priming and auxiliary supplies (5.6).....	28		
Protection systems (4.9)	23		

1 INTRODUCTION AND SAFETY

1.1 General



These instructions must always be kept close to the product's operating location or directly with the product.

Flowserve products are designed, developed and manufactured with state-of-the-art technologies in modern facilities. The unit is produced with great care and commitment to continuous quality control, utilising sophisticated quality techniques and safety requirements.

Flowserve is committed to continuous quality improvement and being at service for any further information about the product in its installation and operation or about its support products, repair and diagnostic services.

These instructions are intended to facilitate familiarization with the product and its permitted use. Operating the product in compliance with these instructions is important to help ensure reliability in service and avoid risks. The instructions may not take into account local regulations; ensure such regulations are observed by all, including those installing the product. Always coordinate repair activity with operations personnel, and follow all plant safety requirements and applicable safety and health laws and regulations.



These instructions must be read prior to installing, operating, using and maintaining the equipment in any region worldwide. The equipment must not be put into service until all the conditions relating to safety, noted in the instructions, have been met. Failure to follow and apply the present user instructions is considered to be misuse. Personal injury, product damage, delay or failure caused by misuse are not covered by the Flowserve warranty.

1.2 CE marking and approvals

It is a legal requirement that machinery and equipment put into service within certain regions of the world shall conform with the applicable CE Marking Directives covering Machinery and, where applicable, Low Voltage Equipment, Electromagnetic Compatibility (EMC), Pressure Equipment Directive (PED) and Equipment for Potentially Explosive Atmospheres (ATEX).

Where applicable, the Directives and any additional Approvals, cover important safety aspects relating to machinery and equipment and the satisfactory provision

of technical documents and safety instructions. Where applicable this document incorporates information relevant to these Directives and Approvals.

To confirm the Approvals applying and if the product is CE marked, check the serial number plate markings and the Certification. (See section 9, *Certification*.)

1.3 Disclaimer

Information in these User Instructions is believed to be reliable. In spite of all the efforts of Flowserve Corporation to provide sound and all necessary information the content of this manual may appear insufficient and is not guaranteed by Flowserve as to its completeness or accuracy.

Flowserve manufactures products to exacting International Quality Management System Standards as certified and audited by external Quality Assurance organisations. Genuine parts and accessories have been designed, tested and incorporated into the products to help ensure their continued product quality and performance in use. As Flowserve cannot test parts and accessories sourced from other vendors the incorrect incorporation of such parts and accessories may adversely affect the performance and safety features of the products. The failure to properly select, install or use authorised Flowserve parts and accessories is considered to be misuse. Damage or failure caused by misuse is not covered by the Flowserve warranty. In addition, any modification of Flowserve products or removal of original components may impair the safety of these products in their use.

1.4 Copyright

All rights reserved. No part of these instructions may be reproduced, stored in a retrieval system or transmitted in any form or by any means without prior permission of Flowserve Pump Division.

1.5 Duty conditions

This product has been selected to meet the specifications of your purchaser order. The acknowledgement of these conditions has been sent separately to the Purchaser. A copy should be kept with these instructions.




The product must not be operated beyond the parameters specified for the application. If there is any doubt as to the suitability of the product for the application intended, contact Flowserve for advice, quoting the serial number.


If the conditions of service on your purchase order are going to be changed (for example liquid pumped, temperature or duty) it is requested that the user seeks the written agreement of Flowserve before start up.


1.6 Safety


1.6.1 Summary of safety markings


These User Instructions contain specific safety markings where non-observance of an instruction would cause hazards. The specific safety markings are:


 **DANGER** This symbol indicates electrical safety instructions where non-compliance will involve a high risk to personal safety or the loss of life.

 This symbol indicates safety instructions where non-compliance would affect personal safety and could result in loss of life.

 This symbol indicates “hazardous and toxic fluid” safety instructions where non-compliance would affect personal safety and could result in loss of life.

 **CAUTION** This symbol indicates safety instructions where non-compliance will involve some risk to safe operation and personal safety and would damage the equipment or property.

 This symbol indicates explosive atmosphere zone marking according to ATEX. It is used in safety instructions where non-compliance in the hazardous area would cause the risk of an explosion.

 This symbol is used in safety instructions to remind not to rub non-metallic surfaces with a dry cloth; ensure the cloth is damp. It is used in safety instructions where non-compliance in the hazardous area would cause the risk of an explosion.

Note: This sign is not a safety symbol but indicates an important instruction in the assembly process.

1.6.2 Personnel qualification and training

All personnel involved in the operation, installation, inspection and maintenance of the unit must be qualified to carry out the work involved. If the personnel in question do not already possess the necessary knowledge and skill, appropriate training and instruction must be provided. If required the operator may commission the manufacturer/supplier to provide applicable training.


Always coordinate repair activity with operations and health and safety personnel, and follow all plant safety requirements and applicable safety and health laws and regulations.


1.6.3 Safety action


This is a summary of conditions and actions to help prevent injury to personnel and damage to the environment and to equipment. For products used in potentially explosive atmospheres section 1.6.4 also applies.


 **DANGER** NEVER DO MAINTENANCE WORK WHEN THE UNIT IS CONNECTED TO POWER


 GUARDS MUST NOT BE REMOVED WHILE THE PUMP IS OPERATIONAL

 DRAIN THE PUMP AND ISOLATE PIPEWORK BEFORE DISMANTLING THE PUMP
The appropriate safety precautions should be taken where the pumped liquids are hazardous.

 FLUORO-ELASTOMERS (When fitted.)
When a pump has experienced temperatures over 250 °C (482 °F), partial decomposition of fluoro-elastomers (example: Viton) will occur. In this condition these are extremely dangerous and skin contact must be avoided.

 HANDLING COMPONENTS
Many precision parts have sharp corners and the wearing of appropriate safety gloves and equipment is required when handling these components. To lift heavy pieces above 25 kg (55 lb) use a crane appropriate for the mass and in accordance with current local regulations.

 NEVER APPLY HEAT TO REMOVE IMPELLER
Trapped lubricant or vapour could cause an explosion.

 HOT (and cold) PARTS
If hot or freezing components or auxiliary heating supplies can present a danger to operators and persons entering the immediate area action must be taken to avoid accidental contact. If complete protection is not possible, the machine access must be limited to maintenance staff only, with clear visual warnings and indicators to those entering the immediate area. Note: bearing housings must not be insulated and drive motors and bearings may be hot.

If the temperature is greater than 80 °C (175 °F) or below -5 °C (20 °F) in a restricted zone, or exceeds local regulations, action as above shall be taken.


 **THERMAL SHOCK**

Rapid changes in the temperature of the liquid within the pump can cause thermal shock, which can result in damage or breakage of components and should be avoided.

 **HAZARDOUS LIQUIDS**

When the pump is handling hazardous liquids care must be taken to avoid exposure to the liquid by appropriate siting of the pump, limiting personnel access and by operator training. If the liquid is flammable and or explosive, strict safety procedures must be applied.


Gland packing must not be used when pumping hazardous liquids.

 **CAUTION** PREVENT EXCESSIVE EXTERNAL PIPE LOAD

Do not use pump as a support for piping. Do not mount expansion joints, unless allowed by Flowserve in writing, so that their force, due to internal pressure, acts on the pump flange.

 **CAUTION** ENSURE CORRECT LUBRICATION


(See section 5, *Commissioning, startup, operation and shutdown.*)

 **CAUTION** NEVER EXCEED THE MAXIMUM DESIGN PRESSURE (MDP) AT THE TEMPERATURE SHOWN ON THE PUMP NAMEPLATE

See section 3 for pressure versus temperature ratings based on the material of construction.


 **CAUTION** NEVER OPERATE THE PUMP WITH THE DISCHARGE VALVE CLOSED

(Unless otherwise instructed at a specific point in the user instructions.) See section 5, *Commissioning start-up, operation and shutdown.*

 **CAUTION** NEVER OPERATE THE PUMP WITH THE SUCTION VALVE CLOSED

It should be fully opened when the pump is running.


 **CAUTION** NEVER RUN THE PUMP DRY OR WITHOUT PROPER PRIME (Casing Flooded)

 **CAUTION** NEVER OPERATE THE PUMP AT ZERO FLOW OR FOR EXTENDED PERIODS BELOW THE MINIMUM CONTINUOUS FLOW

 **CAUTION** THE PUMP SHAFT MUST TURN CLOCKWISE WHEN VIEWED FROM THE MOTOR END

It is absolutely essential that the rotation of the motor be checked before installation of the coupling spacer and starting the pump. Incorrect rotation of the pump for even a short period can unscrew the impeller, which can cause significant damage.


1.6.4 Products used in potentially explosive atmospheres

 Measures are required to:

- Avoid excess temperature
- Prevent build up of explosive mixtures
- Prevent the generation of sparks
- Prevent leakages
- Maintain the pump to avoid hazard

The following instructions for pumps and pump units when installed in potentially explosive atmospheres must be followed to help ensure explosion protection. Both electrical and non-electrical equipment must meet the requirements of European Directive 94/9/EC.

1.6.4.1 Scope of compliance

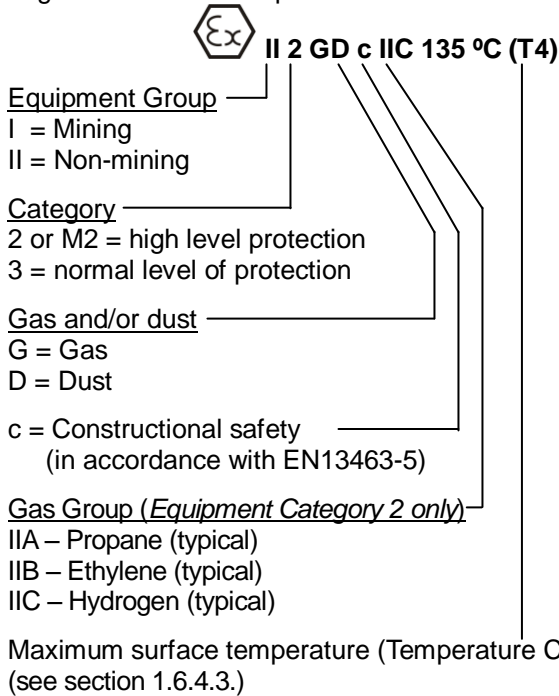
 Use equipment only in the zone for which it is appropriate. Always check that the driver, drive coupling assembly, seal and pump equipment are suitably rated and/or certified for the classification of the specific atmosphere in which they are to be installed.

Where Flowserve has supplied only the bare shaft pump, the Ex rating applies only to the pump. The party responsible for assembling the pump set shall select the coupling, driver and any additional equipment, with the necessary CE Certificate/ Declaration of Conformity establishing it is suitable for the area in which it is to be installed.

The output from a variable frequency drive (VFD) can cause additional heating effects in the motor and so, for pumps sets with a VFD, the ATEX Certification for the motor must state that it covers the situation where electrical supply is from the VFD. This particular requirement still applies even if the VFD is in a safe area.

1.6.4.2 Marking

An example of ATEX equipment marking is shown below. The actual classification of the pump will be engraved on the nameplate.



1.6.4.3 Avoiding excessive surface temperatures



ENSURE THE EQUIPMENT TEMPERATURE CLASS IS SUITABLE FOR THE HAZARD ZONE

Pumps have a temperature class as stated in the ATEX Ex rating on the nameplate. These are based on a maximum ambient of 40 °C (104 °F); refer to Flowserve for higher ambient temperatures.

The surface temperature on the pump is influenced by the temperature of the liquid handled. The maximum permissible liquid temperature depends on the ATEX temperature class and must not exceed the values in the table that follows:

Temperature class to EN13463-1	Maximum surface temperature permitted	Temperature limit of liquid handled
T6	85 °C (185 °F)	Consult Flowserve
T5	100 °C (212 °F)	Consult Flowserve
T4	135 °C (275 °F)	115 °C (239 °F) *

* The table only takes the ATEX temperature class into consideration. Pump design or material, as well as component design or material, may further limit the maximum working temperature of the liquid.

The temperature rise at the seals and bearings and due to the minimum permitted flow rate is taken into account in the temperatures stated.

The responsibility for compliance with the specified maximum liquid temperature is with the plant operator.

Temperature classification “Tx” is used when the liquid temperature varies and when the pump is required to be used in differently classified potentially explosive atmospheres. In this case the user is responsible for ensuring that the pump surface temperature does not exceed that permitted in its actual installed location.

Do not attempt to check the direction of rotation with the coupling element/pins fitted due to the risk of severe contact between rotating and stationary components.

Where there is any risk of the pump being run against a closed valve generating high liquid and casing external surface temperatures fit an external surface temperature protection device.

Avoid mechanical, hydraulic or electrical overload by using motor overload trips, temperature monitor or a power monitor and make routine vibration monitoring checks.

In dirty or dusty environments make regular checks and remove dirt from areas around close clearances, bearing housings and motors.

1.6.4.4 Preventing the build up of explosive mixtures



ENSURE THE PUMP IS PROPERLY FILLED AND VENTED AND DOES NOT RUN DRY

Ensure the pump and relevant suction and discharge pipeline system is totally filled with liquid at all times during the pump operation so that an explosive atmosphere is prevented. In addition it is essential to make sure that seal chambers, auxiliary shaft seal systems and any heating and cooling systems are properly filled.

If the operation of the system cannot avoid this condition, fit an appropriate dry run protection device (for example liquid detection or a power monitor).

To avoid potential hazards from fugitive emissions of vapour or gas to atmosphere the surrounding area must be well ventilated.

1.6.4.5 Preventing sparks



To prevent a potential hazard from mechanical contact, the coupling guard must be non-sparking for Category 2.

To avoid the potential hazard from random induced current generating a spark, the baseplate must be properly grounded.

Avoid electrostatic charge: do not rub non-metallic surfaces with a dry cloth; ensure cloth is damp.

For ATEX, the coupling must be selected to comply with 94/9/EC. Correct coupling alignment must be maintained.

Additional requirement for metallic pumps on non-metallic baseplates

When metallic components are fitted on a non-metallic baseplate they must be individually earthed.

1.6.4.6 Preventing leakage

A pump with mechanical seal must only be used to handle liquids for which it has been approved to have the correct corrosion resistance.

Avoid entrapment of liquid in the pump and associated piping due to closing of suction and discharge valves, which could cause dangerous excessive pressures to occur if there is heat input to the liquid. This can occur if the pump is stationary or running.

Bursting of liquid containing parts due to freezing must be avoided by draining or protecting the pump and ancillary systems.

Where there is the potential hazard of a loss of a seal barrier fluid or external flush, the fluid must be monitored.

If leakage of liquid to atmosphere can result in a hazard, install a liquid detection device.

1.6.4.7 Maintenance to avoid the hazard

CORRECT MAINTENANCE IS REQUIRED TO AVOID POTENTIAL HAZARDS WHICH GIVE A RISK OF EXPLOSION

The responsibility for compliance with maintenance instructions is with the plant operator.

To avoid potential explosion hazards during maintenance, the tools, cleaning and painting materials used must not give rise to sparking or adversely affect the ambient conditions. Where there is a risk from such tools or materials, maintenance must be conducted in a safe area.

It is recommended that a maintenance plan and schedule is adopted. (See section 6, *Maintenance*.)

1.7 Nameplate and safety labels

1.7.1 Nameplate

For details of nameplate, see the *Declaration of Conformity* and section 3.

1.7.2 Safety labels

CAUTION

- **SUCTION AND DISCHARGE FLANGES:**
 USE FLAT FACE MATING FLANGES ONLY
 MIN. FULL FACE GASKET THICKNESS = 1/8"
 MAX. GASKET HARDNESS = 70 DUROMETER
 MAX. BOLTING TORQUE = 30 FT. LB.
- **AUXILIARY CONNECTIONS:**
 DO NOT INSTALL METAL PIPE FITTINGS DIRECTLY INTO PIPE TAPS ON NON-METALLIC PARTS.
- **PUMP BOLTING:**
 GLAND NUT TORQUE NOT TO EXCEED 5 FT. LBS.
 MAIN FLANGE BOLTING NOT TO EXCEED 10 FT.LBS.
 ALL OTHER BOLTING NOT TO EXCEED 15 FT. LBS.
- **READ INSTRUCTION BOOK.**

FLOWSERVE **WARNING** J218JZ250

ESSENTIAL PROCEDURES BEFORE STARTING:

<p> INSTALL AND OPERATE EQUIPMENT IN ACCORDANCE WITH THE INSTRUCTION MANUAL SUPPLIED SEPARATELY.</p> <p> ENSURE GUARDS ARE SECURELY IN PLACE.</p> <p> ENSURE CORRECT DIRECTION OF ROTATION.</p>	<p> ENSURE ALL EXTERNAL CONNECTIONS TO THE PUMP / SHAFT SEALING AND DRIVER ARE CONNECTED AND OPERATIONAL.</p> <p> FULLY PRIME UNIT AND SYSTEM. DO NOT RUN UNIT DRY.</p> <p>FAILURE TO FOLLOW THESE PROCEDURES MAY RESULT IN PERSONAL INJURY AND / OR EQUIPMENT DAMAGE </p>
---	--

J218/268

<p>ENSURE UNIT ON A FIRM FOUNDATION AND THAT COUPLING FACES ARE IN CORRECT ALIGNMENT PRIOR TO AND AFTER BOLTING BASEPLATE DOWN AND FIXING PIPEWORK. SEE MANUAL FOR TOLERANCES.</p> <p> S'ASSURER QUE LE GROUPE ELECTROPOMPE EST FERMEMENT INSTALLE SUR SON MASSIF. VERIFIER LE LIGNAGE DE L'ACCOUPEMENT AVANT ET APRES FIXATION DU SOCLE ET DE LA TUYAUTERIE. VOIR LES TOLERANCES D'ALIGNMENT SUR LA NOTICE</p>	<p>PUMP MUSS AUF FESTEM FUNDAMENT STEHEN. KUPPLUNGSHÄLFTEN KORREKT AXIAL AUSRICHTEN. DANN PUMPE AUF GRUNDPLATTE FESTSPANNEN UND ANSCHLUSSLEITUNGEN BEFESTIGEN. TOLERANZEN S. BEDIEUNGSANLEITUNG.</p> <p>ZORG DAT POMPEENHEID OP EEN STEVIGE ONDERGROND OPGESTELD STAAT EN DAT KOPPELING CORRECT UITGELIJNT IS ZOWEL VOOR-ALS NADAT DE GRONDPLAAT MET BOUTEN IS VASTGEZET EN DE LEIDINGEN GEINSTALLEERD ZIJN. ZIE HANDLEIDING VOOR TOELAABARE SPELINGEN.</p>
---	---

Oil lubricated units only:

J218JZ262

<p> WARNING</p> <p> ATTENTION</p> <p> ACHTUNG</p> <p> WAARSCHUWING</p>	<p>THIS MACHINE MUST BE FILLED WITH OIL BEFORE STARTING</p> <p>CETTE MACHINE DOIT ÊTRE REMPLIE D'HUILE AVANT LA MISE EN MARCHÉ</p> <p>DIESE MASCHINE IST VOR DEM STARTEN MIT ÖL ZÜ FULLEN</p> <p>DEZE MACHINE MOET VOOR HET STARTEN MET OLIE GEVULD WORDEN</p>
--	--

DurcoShield™ (splash/shaft guard)

THIS DEVICE IS NOT A CONTAINMENT SYSTEM NOR A SEAL BACK UP SYSTEM IT IS A LIMITED PROTECTION DEVICE. IT WILL REDUCE BUT NOT ELIMINATE THE PROBABILITY OF INJURY.

1.8 Specific machine performance

For performance parameters see section 1.5, *Duty conditions*. Where performance data has been supplied separately to the purchaser these should be obtained and retained with these User Instructions if required.

1.9 Noise level

Attention must be given to the exposure of personnel to the noise, and local legislation will define when guidance to personnel on noise limitation is required, and when noise exposure reduction is mandatory. This is typically 80 to 85 dBA.

The usual approach is to control the exposure time to the noise or to enclose the machine to reduce emitted sound. You may have already specified a limiting noise level when the equipment was ordered, however if no noise requirements were defined, then attention is drawn to the following table to give an indication of equipment noise level so that you can take the appropriate action in your plant.

Pump noise level is dependent on a number of operational factors, flow rate, pipework design and acoustic characteristics of the building, and so the

values given are subject to a 3 dBA tolerance and cannot be guaranteed.

Similarly the motor noise assumed in the “pump and motor” noise is that typically expected from standard and high efficiency motors when on load directly driving the pump. Note that a motor driven by an inverter may show an increased noise at some speeds.

If a pump unit only has been purchased for fitting with your own driver then the “pump only” noise levels in the table should be combined with the level for the driver obtained from the supplier. Consult Flowserve or a noise specialist if assistance is required in combining the values.

It is recommended that where exposure approaches the prescribed limit, then site noise measurements should be made.

The values are in sound pressure level L_{pA} at 1 m (3.3 ft) from the machine, for “free field conditions over a reflecting plane”.

For estimating sound power level L_{WA} (re 1 pW) then add 14 dBA to the sound pressure value.

Motor size and speed kW (hp)	Typical sound pressure level L_{pA} at 1 m reference 20 μ Pa, dBA							
	3 550 r/min		2 900 r/min		1 750 r/min		1 450 r/min	
	Pump only	Pump and motor	Pump only	Pump and motor	Pump only	Pump and motor	Pump only	Pump and motor
<0.55(<0.75)	72	72	64	65	62	64	62	64
0.75 (1)	72	72	64	66	62	64	62	64
1.1 (1.5)	74	74	66	67	64	64	62	63
1.5 (2)	74	74	66	71	64	64	62	63
2.2 (3)	75	76	68	72	65	66	63	64
3 (4)	75	76	70	73	65	66	63	64
4 (5)	75	76	71	73	65	66	63	64
5.5 (7.5)	76	77	72	75	66	67	64	65
7.5 (10)	76	77	72	75	66	67	64	65
11(15)	80	81	76	78	70	71	68	69
15 (20)	80	81	76	78	70	71	68	69
18.5 (25)	81	81	77	78	71	71	69	71
22 (30)	81	81	77	79	71	71	69	71
30 (40)	83	83	79	81	73	73	71	73
37 (50)	83	83	79	81	73	73	71	73
45 (60)	86	86	82	84	76	76	74	76
55 (75)	86	86	82	84	76	76	74	76
75 (100)	87	87	83	85	77	77	75	77
90 (120)	87	88	83	85	77	78	75	78
110 (150)	89	90	85	87	79	80	77	80
150 (200)	89	90	85	87	79	80	77	80
200 (270)	①	①	①	①	85	87	83	85
300 (400)			–		87	90	85	86

① The noise level of machines in this range will most likely be of values which require noise exposure control, but typical values are inappropriate. **Note:** for 1 180 and 960 r/min reduce 1 450 r/min values by 2 dBA. For 880 and 720 r/min reduce 1 450 r/min values by 3 dBA.

2 TRANSPORT AND STORAGE

2.1 Consignment receipt and unpacking

Immediately after receipt of the equipment it must be checked against the delivery/shipping documents for its completeness and that there has been no damage in transportation. Any shortage and/or damage must be reported immediately to Flowserve Pump Division and must be received in writing within one month of receipt of the equipment. Later claims cannot be accepted.

Check any crate, boxes or wrappings for any accessories or spare parts that may be packed separately with the equipment or attached to side walls of the box or equipment.

Each product has a unique serial number. Check that this number corresponds with that advised and always quote this number in correspondence as well as when ordering spare parts or further accessories.

2.2 Handling

Boxes, crates, pallets or cartons may be unloaded using fork lift vehicles or slings dependent on their size and construction.

2.3 Lifting



A crane must be used for all pump sets in excess of 25 kg (55 lb). Fully trained personnel must carry out lifting, in accordance with local regulations.

The driver and pump weights are recorded on their respective nameplates.



Pumps and motors often have integral lifting lugs or eye bolts. These are intended for use in only lifting the individual piece of equipment.



Do not use eye bolts or cast-in lifting lugs to lift pump, motor and baseplate assemblies.



To avoid distortion, the pump unit should be lifted as described in this section.



Care must be taken to lift components or assemblies above the center of gravity to prevent the unit from flipping.

2.3.1 Lifting pump components

2.3.1.1 Casing [1100]

Use a choker hitch through the suction hole and around the casing body.

2.3.1.2 Rear cover [1220]

Use a choker hitch slung through the central seal chamber hole to lift large rear covers.

2.3.1.3 Bearing housing [3200]

Group 1. Insert a sling between the upper and lower support ribs between the housing barrel and the casing attachment flange. Use a choker hitch when slinging. (Make sure there are no sharp edges on the bottom side of the ribs which could cut the sling.)

Group 2 and 3. Insert either a sling or hook through the lifting lug located on the top of the housing.

2.3.1.4 Power end

Same as bearing housing.

2.3.1.5 Bare pump

Horizontal pumps. Sling under the casing and around the outboard end of the bearing housing with separate slings. Choker hitches must be used at both attachment points and pulled tight. The sling lengths should be adjusted to balance the load before attaching the lifting hook.

2.3.2 Lifting pump, motor and baseplate assembly

If the baseplate has lifting holes cut in the sides at the end (type A Group 3, type D, and type E bases) insert lifting S hooks at the four corners and use slings or chains to connect to the lifting eye. Do not use slings through the lifting holes because of sharp edges. Other styles of baseplates can be lifted by placing slings slightly outboard from the center of mass of the motor and pump. A spreader bar may be required to maintain the sling spacing during lifting.

2.4 Storage



Store the pump in a clean, dry location away from vibration. Leave piping connection covers in place to keep dirt and other foreign material out of pump casing. Turn pump at intervals to prevent brinelling of the bearings and the seal faces, if fitted, from sticking.

The pump may be stored as above for up to six months. Consult Flowserve for preservative actions when a longer storage period is needed.

2.4.1 Short term storage and packaging

Normal packaging is designed to protect the pump and parts during shipment and for dry, indoor storage for up to six months or less. The following is an overview of our normal packaging:

- All loose unmounted items are packaged in a waterproof plastic bag and placed under the coupling guard. Larger items are boxed and metal banded to the baseplate. For pumps not mounted on a baseplate, the bag and/or box is placed inside the shipping container.
- Inner surfaces of the bearing housing, shaft (area through bearing housing) and bearings are coated with Cortec VCI-329 rust inhibitor, or equal. (Note: bearing housings are not filled with oil prior to shipment.)
- Regreasable bearings are packed with grease. (EXXON POLYREX EM for horizontal pumps.)
- Exposed shafts are taped with Polywrap.
- Flange covers are secured to both the suction and discharge flanges.
- Assemblies ordered with external piping, in some cases components may be disassembled for shipment.

The pump must be stored in a covered, dry location.

2.4.2 Long term storage

Long term storage is defined as more than six months, but less than 12 months. The procedure Flowserve follows for long term storage of pumps is given below. These procedures are in addition to the short term procedure.

- Each assembly is hermetically (heat) sealed from the atmosphere by means of tack wrap sheeting and rubber bushings (mounting holes).
- Desiccant bags are placed inside the tack wrapped packaging.
- A solid wood box is used to cover the assembly.

This packaging will provide protection for up to twelve months from humidity, salt laden air, dust etc.

After unpacking, protection will be the responsibility of the user. Addition of oil to the bearing housing will remove the inhibitor. If units are to be idle for extended periods after addition of lubricants, inhibitor oils and greases should be used. Every three months, the pump shaft should be rotated approximately 10 revolutions.

2.5 Recycling and end of product life

At the end of the service life of the product or its parts, the relevant materials and parts should be recycled or disposed of using an environmentally acceptable method and local requirements. If the product contains substances that are harmful to the environment, these should be removed and disposed of in accordance with current regulations.

This also includes the liquids and or gases that may be used in the "seal system" or other utilities.



Make sure that hazardous substances are disposed of safely and that the correct personal protective equipment is used. The safety specifications must be in accordance with the current regulations at all times.

3 DESCRIPTION

3.1 Configurations

PolyChem GRP chemical process pumps are end suction, single stage, centrifugal pumps. The GRP family conforms to ASME B73.5M as a non-metallic wet end, end suction, centerline discharge arrangement. There is also a self-priming option available. These pumps are made of a glass-reinforced polymer that is designed to handle a wide range of chemicals. PolyChem GRP pumps may often be used as a cost-effective solution where stainless steel, Alloy 20, Monel, Nickel, Hastelloy™, and even titanium metal pumps are used.

3.2 Name nomenclature

The pump size will be engraved on the nameplate typically as below:

2K 4 X 3G – 13 / 12.5

Frame size:

"2K" indicates a medium size pump frame with a Mark3 power end - in this example, a Group 2.

1J or 1K = Group 1 (small frame)

2K = Group 2 (medium frame)

3J = Group 3 (large frame – 2 3/8 in. shaft)

4J = Group 4 (large frame – 2 3/4 in. shaft)

Power end:

Mark 3A – Standard

ANSI 3A – Optional (3 year guarantee)

"4" = Nominal suction port size.

"3" = Nominal discharge port size.

"G" = PolyChem GRP pump line

"GS" = Self-primer version

Nominal maximum impeller diameter:

"13" = 13 in. diameter

Actual impeller size:

"12.5" = 12 1/2 in. diameter

An example of the nameplate used on the PolyChem GRP pump is shown below. This nameplate, which is always mounted on the Mark 3 bearing housing, is shown in figure 3-1.

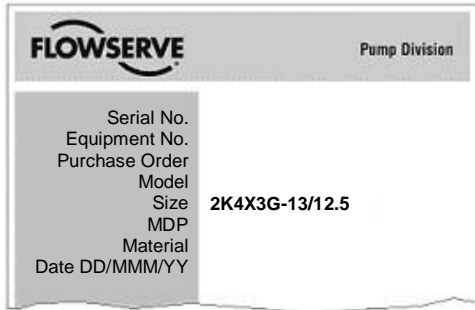


Figure 3-1

3.3 Design of major parts

3.3.1 Pump casing

The pump casing is designed with a horizontal centerline suction inlet and a vertical centerline top discharge which makes it self venting.

Removal of the casing is not required when performing maintenance of the rotating element. The pump is designed with a gasket perpendicular to the shaft allowing the rotating element to be easily removed (back pull out).

3.3.2 Impeller

An open impeller design is the only offering.

3.3.3 Shaft/sleeve

The pump shafts are sleeved, supported on rolling element bearings, with both threaded and polygon drive ends for the impeller and a keyed drive end.

3.3.4 Pump bearings and lubrication

Ball bearings are fitted as standard and may be either oil or grease lubricated.

3.3.5 Bearing housing

Options include a large reservoir for oil bath lubrication or the use of zerk fittings for regreasable bearings. A micrometer shaft adjustment allows external setting of the impeller gap.

3.3.6 Seal chamber (cover plate)

The seal chamber has a spigot (rabbet) fit between the pump casing and bearing housing (adapter) for optimum concentricity. The design enables a number of sealing options to be fitted.

3.3.7 Shaft seal

The mechanical seal(s), attached to the pump shaft, seals the pumped liquid from the environment. Gland packing may be fitted as an option.

3.3.8 Driver

The driver is normally an electric motor. Different drive configurations may be fitted such as internal combustion engines, turbines, hydraulic motors etc driving via couplings, belts, gearboxes, drive shafts etc.

3.3.9 Accessories

Accessories may be fitted when specified by the customer.

3.4 Performance and operating limits

This product has been selected to meet the specification of your purchase order. (See section 1.5.)

Typical materials used in the PolyChem GRP include:

Casing, impeller, rear cover, and glands. Glass reinforced plastic (GRP) composed of chopped fiberglass strands in a Derakane 470™ vinyl ester resin. (Durcon 730, a glass reinforced thermo-setting epoxy resin, is used for the 1K3x2GS-7.)

Shaft sleeves. Ryton® plastic (Polyphenylene sulfide) or high alloy steels are available.

Shafting. 4140 carbon steel as standard with 17-4 PH stainless steel as an option. (Superchlor 77 is the standard shaft material for the 1K3x2GS-7 pump.)

3.4.1 Pressure-temperature ratings

Figure 3-2

Size	Bar (psi)		
	-46 °C (-50 °F)	66 °C (150 °F)	121 °C (250 °F)
1J1.5x1G-6	13.79 (200)	13.79 (200)	10.34 (150)
1J3x1.5G-6	13.79 (200)	13.79 (200)	10.34 (150)
1J3x2G-6	13.79 (200)	13.79 (200)	10.34 (150)
1J1.5x1G-8	13.79 (200)	13.79 (200)	10.34 (150)
2K3x1.5G-8	13.79 (200)	13.79 (200)	10.34 (150)
2K3x2G-8	13.79 (200)	13.79 (200)	10.34 (150)
2K4x3G-8	13.79 (200)	13.79 (200)	10.34 (150)
2K2x1G-10	17.24 (250)	17.24 (250)	13.79 (200)
2K3x1.5G-10	6.89 (100)	6.89 (100)	5.17 (75)
2K4x3G-10	6.89 (100)	6.89 (100)	5.17 (75)
2K6x4G-10	6.89 (100)	6.89 (100)	5.17 (75)
2K3x1.5G-13	8.62 (125)	8.62 (125)	6.89 (100)
2K4x3G-13	8.62 (125)	8.62 (125)	6.89 (100)
3J8x6G-13	10.34 (150)	10.34 (150)	8.62 (125)
3J12x10G-15	6.89 (100)	6.89 (100)	5.17 (75)
4J12x10G-15B	6.89 (100)	6.89 (100)	5.17 (75)
Size	-29 °C (-20 °F)	66 °C (150 °F)	107 °C (225 °F)
1K3x2GS-7	9.31 (135)	9.31 (135)	9.31 (135)

The pressure-temperature charts for PolyChem GRP pumps are shown in figure 3-2. Maximum fluid temperature for Derakane 470™ material is 121 °C (250 °F) and for Durcon 730 is 107 °C (225 °F).

The following data are typical, and factors such as liquid being pumped, temperature, and seal type may influence them. If required, a definitive statement for your application can be obtained from Flowserve.

3.4.2 Minimum continuous flow

The minimum continuous flow (MCF) is based on a percentage of the *best efficiency point* (BEP). Figure 3-3 identifies the MCF for all PolyChem GRP pump models.

Figure 3-3

Size	MCF (% of BEP)			
	3 600 r/min	3 000 r/min	1 800 r/min	1 200 r/min
1J1.5x1G-6	10	10	10	10
1J3x1.5G-6	10	10	10	10
1J3x2G-6	10	10	10	10
1J3x2GS-7	10	10	10	10
1J1.5x1G-8	10	10	10	10
2K3x1.5G-8	10	10	10	10
2K3x2G-8	10	10	10	10
2K4x3G-8	20	20	20	20
2K2x1G-10	10	10	10	10
2K3x1.5G-10	N/A	10	10	10
2K4x3G-10	N/A	25	25	25
2K6x4G-10	N/A	25	25	25
2K3x1.5G-13	N/A	N/A	25	25
2K4x3G-13	N/A	N/A	25	25
3J8x6G-13	N/A	N/A	25	25
3J12x10G-15	N/A	N/A	N/A	25
4J12x10G-15B	N/A	N/A	25	25

3.4.3 Minimum suction pipe submergence

The minimum submergence is shown in figure 3-4 and 3-5 for the 1K3x2GS-7 unitized self-priming pump.

Figure 3-4: Minimum submergence

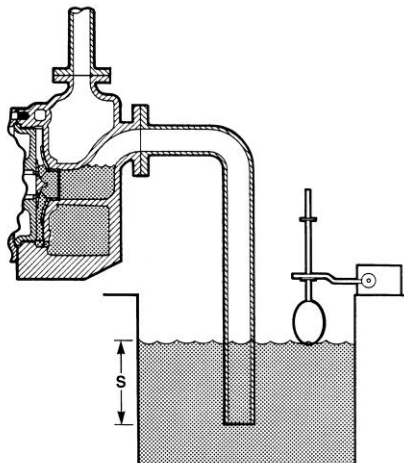
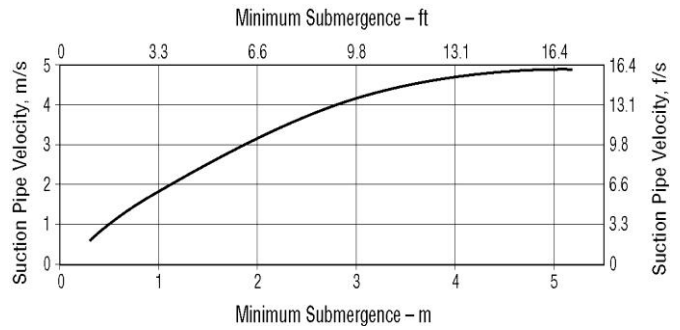


Figure 3-5: Minimum submergence



3.4.4 Suction pressure limits

Open style impellers typically create a thrust load towards the suction of the pump. This reduces the axial loading on the bearings so that the suction pressure limit is equal to the pressure-temperature rating.

4 INSTALLATION



Equipment operated in hazardous locations must comply with the relevant explosion protection regulations. See section 1.6.4, *Products used in potentially explosive atmospheres*.

4.1 Location

The pump should be located to allow room for access, ventilation, maintenance and inspection with ample headroom for lifting and should be as close as practicable to the supply of liquid to be pumped. Refer to the general arrangement drawing for the pump set.

4.2 Part assemblies

The supply of motors and baseplates is optional. As a result, it is the responsibility of the installer to ensure that the motor is assembled to the pump and aligned as detailed in sections 4.5 and 4.8.

4.3 Foundation

4.3.1 Protection of openings and threads

When the pump is shipped, all threads and all openings are covered. This protection/covering should not be removed until installation. If, for any reason, the pump is removed from service, this protection should be reinstalled.

4.3.2 Rigid baseplates - overview

The function of a baseplate is to provide a rigid foundation under a pump and its driver that maintains alignment between the two. Baseplates may be generally classified into two types:

- Foundation-mounted, grouted design (figure 4-1)
- Stilt mounted, or free-standing (figure 4-2)

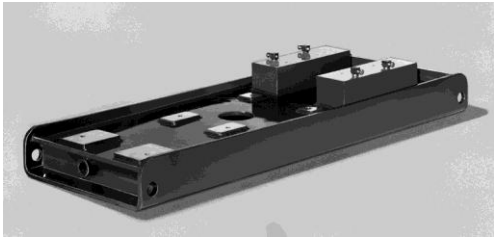


Figure 4-1



Figure 4-2

Baseplates intended for grouted installation are designed to use the grout as a stiffening member. Stilt mounted baseplates, on the other hand, are designed to provide their own rigidity. Therefore, the designs of the two baseplates are usually different.

Regardless of the type of baseplate used, it must provide certain functions that ensure a reliable installation. Three of these requirements are:

- The baseplate must provide sufficient rigidity to assure the assembly can be transported and installed, given reasonable care in handling, without damage. It must also be rigid enough when properly installed to resist operating loads.
- The baseplate must provide a reasonably flat mounting surface for the pump and driver. Uneven surfaces will result in a soft-foot condition that may make alignment difficult or impossible. Flowserve experience indicates that a baseplate that has a top surface flatness of 1.25 mm/m (0.015 in./ft) across the diagonal corners of the baseplate provides such a mounting surface. Therefore, this is the tolerance to which we supply our standard baseplate. Some users may desire an even flatter surface, which can facilitate installation and alignment. Flowserve will supply flatter baseplates upon request at extra cost. For example, mounting surface flatness of 0.17 mm/m (0.002 in./ft) is offered on the Flowserve Type E “Ten Point” baseplate shown in figure 4-1.
- The baseplate must be designed to allow the user to final field align the pump and driver to within their own particular standards and to compensate for any pump or driver movement that occurred during handling. Normal industry practice is to achieve final alignment by moving the motor to match the pump. Flowserve practice is to confirm in our shop that the pump assembly can be accurately aligned. Before shipment, the factory verifies that there is enough horizontal movement

capability at the motor to obtain a “perfect” final alignment when the installer puts the baseplate assembly into its original, top leveled, unstressed condition.

4.3.3 Stilt and spring mounted baseplates

Flowserve offers stilt and spring mounted baseplates. (See Figure 4-2 for stilt mounted option.) The low vibration levels of PolyChem GRP pumps allow the use of these baseplates - provided they are of a rigid design. The baseplate is set on a flat surface with no tie down bolts or other means of anchoring it to the floor.

General instructions for assembling these baseplates are given below. For dimensional information, please refer to the appropriate Flowserve “Sales Print.”

4.3.3.1 Stilt mounted baseplate assembly instructions

(Refer to figure 4-3.)

- a) Raise or block up baseplate/pump above the floor to allow for the assembly of the stilts.
- b) Predetermine or measure the approximate desired height for the baseplate above the floor.
- c) Set the bottom nuts (item 2) above the stilt bolt head (item 1) to the desired height.
- d) Assemble lock washer (item 3) down over the stilt bolt.
- e) Assemble the stilt bolt up through hole in the bottom plate and hold in place.
- f) Assemble the lock washer (item 3) and nut (item 2) on the stilt bolt. Tighten the nut down on the lock washer.
- g) After all four stilts have been assembled, position the baseplate in place, over the floor cups (item 4) under each stilt location, and lower the baseplate to the floor.
- h) Level and make final height adjustments to the suction and discharge pipe by first loosening the top nuts and turning the bottom nuts to raise or lower the baseplate.
- i) Tighten the top and bottom nuts at the lock washer (item 3) first then tighten the other nuts.

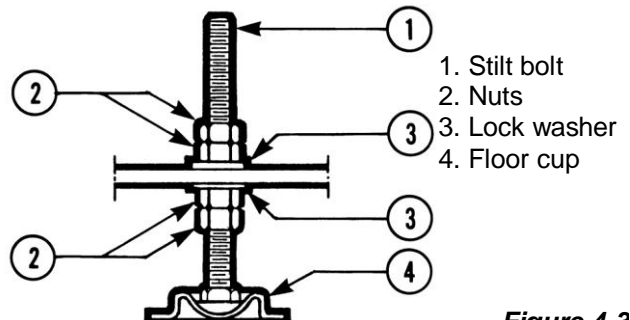


Figure 4-3

- j) It should be noted that the connecting pipelines must be individually supported, and that the stilt mounted baseplate is not intended to support total static pipe load.

4.3.3.2 Stilt/spring mounted baseplate assembly instructions

(Refer to figure 4-4.)

- a) Raise or block up baseplate/pump above the floor to allow for the assembly of the stilts.
- b) Set the bottom nuts (item 4) above the stilt bolt head (item 1). This allows for 51 mm (2 in.) upward movement for the final height adjustment of the suction/discharge flange.
- c) Assemble the lock washer (item 6) flat washer (item 5) and bottom spring/cup assembly (item 2) down over the stilt bolt (item 1).
- d) Assemble the stilt bolt/bottom spring up through hole in the bottom plate and hold in place.
- e) Assemble top spring/cup assembly (item 3) down over stilt bolt.
- f) Assemble flat washer (item 5), lock washer (item 6) and nuts (item 4) on the stilt bolt.
- g) Tighten down top nuts, compressing the top spring approximately 25 mm (1 in.).
- h) After all four stilts have been assembled, position the baseplate in place, over the floor cups (item 7) under each stilt location, and lower the baseplate down to the floor.
- i) Level and make final height adjustments to the suction and discharge pipe by first loosening the top nuts, and turning the bottom nuts to raise or lower the baseplate.

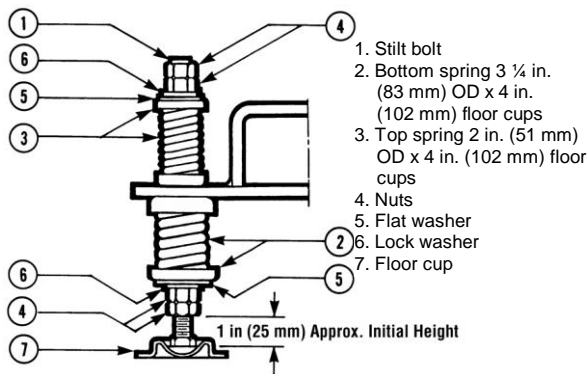


Figure 4-4

- j) To make the stilt bolts more stable, tighten down on the top nuts, compressing the top spring approximately 25 mm (1 in.), and lock the nuts in place.
- k) It should be noted that the connecting pipelines must be individually supported, and that the spring mounted baseplate is not intended to support total static pipe loads.

4.3.3.3 Stilt/spring mounted baseplates - motor alignment

The procedure for motor alignment on stilt or spring mounted baseplates is similar to grouted baseplates. The difference is primarily in the way the baseplate is leveled.

- a) Level the baseplate by using the stilt adjusters. (Shims are not needed as with grouted baseplates.) After the base is level, it is locked in place by locking the stilt adjusters.
- b) Next the initial pump alignment must be checked. The vertical height adjustment provided by the stilts allows the possibility of slightly twisting the baseplate. If there has been no transit damage or twisting of the baseplate during stilt height adjustment, the pump and driver should be within 0.38 mm (0.015 in.) parallel, and 0.0025 mm/mm (0.0025 in./in.) angular alignment. If this is not the case, check to see if the driver mounting fasteners are centered in the driver feet holes.
- c) If the fasteners are not centered there was likely shipping damage. Re-center the fasteners and perform a preliminary alignment to the above tolerances by shimming under the motor for vertical alignment, and by moving the pump for horizontal alignment.
- d) If the fasteners are centered, then the baseplate may be twisted. Slightly adjust (one turn of the adjusting nut) the stilts at the driver end of the baseplate and check for alignment to the above tolerances. Repeat as necessary while maintaining a level condition as measured from the pump discharge flange. Lock the stilt adjusters.
- e) The remaining steps are as listed for new grouted baseplates.

4.4 Grouting

- a) The pump foundation should be located as close to the source of the fluid to be pumped as practical. There should be adequate space for workers to install, operate, and maintain the pump. The foundation should be sufficient to absorb any vibration and should provide a rigid support for the pump and motor. Recommended mass of a concrete foundation should be three times that of the pump, motor and base. (Refer to figure 4-5.)

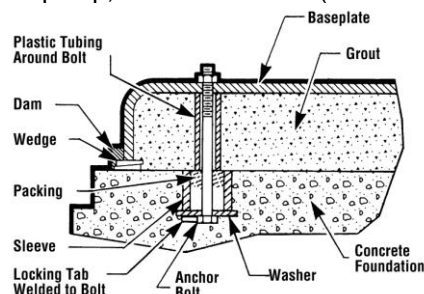


Figure 4-5

Note:

Foundation bolts are imbedded in the concrete inside a sleeve to allow some movement of the bolt.

- b) Level the pump baseplate assembly. If the baseplate has machined coplanar mounting surfaces, these machined surfaces are to be referenced when leveling the baseplate. This may require that the pump and motor be removed from the baseplate in order to reference the machined faces. If the baseplate is without machined coplanar mounting surfaces, the pump and motor are to be left on the baseplate. The proper surfaces to reference when leveling the pump baseplate assembly are the pump suction and discharge flanges. **DO NOT** stress the baseplate. Do not bolt the suction or discharge flanges of the pump to the piping until the baseplate foundation is completely installed. If equipped, use leveling jackscrews to level the baseplate. If jackscrews are not provided, shims and wedges should be used (see figure 4-5). Check for levelness in both the longitudinal and lateral directions. Shims should be placed at all base anchor bolt locations, and in the middle edge of the base if the base is more than 1.5 m (5 ft) long. Do not rely on the bottom of the baseplate to be flat. Standard baseplate bottoms are not machined, and it is not likely that the field mounting surface is flat.
- c) After leveling the baseplate, tighten the anchor bolts. If shims were used, make sure that the baseplate was shimmed near each anchor bolt before tightening. Failure to do this may result in a twist of the baseplate, which could make it impossible to obtain final alignment. Check the level of the baseplate to make sure that tightening the anchor bolts did not disturb the level of the baseplate. If the anchor bolts did change the level, adjust the jackscrews or shims as needed to level the baseplate. Continue adjusting the jackscrews or shims and tightening the anchor bolts until the baseplate is level.
- d) Check initial alignment. If the pump and motor were removed from the baseplate proceed with step e) first, then the pump and motor should be reinstalled onto the baseplate using Flowserve's factory preliminary alignment procedure as described in section 4.5, and then continue with the following. As described above, pumps are given a preliminary alignment at the factory. This preliminary alignment is done in a way that ensures that, if the installer duplicates the factory conditions, there will be sufficient clearance between the motor hold down bolts and motor foot holes to move the motor into final alignment. If the pump and motor were properly reinstalled to the

baseplate or if they were not removed from the baseplate and there has been no transit damage, and also if the above steps were done properly, the pump and driver should be within 0.38 mm (0.015 in.) FIM (Full Indicator Movement) parallel, and 0.0025 mm/mm (0.0025 in./in.) FIM angular. If this is not the case, first check to see if the driver mounting fasteners are centered in the driver feet holes. If not, re-center the fasteners and perform a preliminary alignment to the above tolerances by shimming under the motor for vertical alignment, and by moving the pump for horizontal alignment.

- e) Grout the baseplate. A non-shrinking grout should be used. Make sure that the grout fills the area under the baseplate. After the grout has cured, check for voids and repair them. Jackscrews, shims and wedges should be removed from under the baseplate at this time. If they were to be left in place, they could rust, swell, and cause distortion in the baseplate.
- f) Run piping to the suction and discharge of the pump. There should be no piping loads transmitted to the pump after connection is made. Recheck the alignment to verify that there are no significant loads.

4.5 Initial alignment



DANGER Pump and driver must be isolated electrically and the half couplings disconnected.



CAUTION The alignment **MUST** be checked.

4.5.1 Horizontal initial alignment procedure

The purpose of factory alignment is to ensure that the user will have full utilization of the clearance in the motor holes for final job-site alignment. To achieve this, the factory alignment procedure specifies that the pump be aligned in the horizontal plane to the motor, with the motor foot bolts centered in the motor holes. This procedure ensures that there is sufficient clearance in the motor holes for the customer to field align the motor to the pump, to zero tolerance. This philosophy requires that the customer be able to place the base in the same condition as the factory. Thus the factory alignment will be done with the base sitting in an unrestrained condition on a flat and level surface. This standard also emphasizes the need to ensure the shaft spacing is adequate to accept the specified coupling spacer.

The factory alignment procedure is summarized below:

- a) The baseplate is placed on a flat and level workbench in a free and unstressed position.

- b) The baseplate is leveled as necessary. Leveling is accomplished by placing shims under the rails of the base at the appropriate anchor bolt hole locations. Levelness is checked in both the longitudinal and lateral directions.
- c) The motor and appropriate motor mounting hardware is placed on the baseplate and the motor is checked for any planar soft-foot condition. If any is present it is eliminated by shimming
- d) The motor feet holes are centered on the motor mounting fasteners. This is done by using a centering nut as shown in figure 4-6.

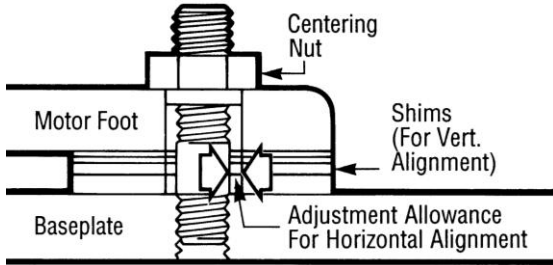


Figure 4-6

- e) The motor is fastened in place by tightening the nuts on two diagonal motor mounting studs.
- f) The pump is put onto the baseplate and leveled. The foot piece under the bearing housing is adjustable. If an adjustment is necessary, add or remove shims [109A] between the foot piece and the bearing housing.
- g) The spacer coupling gap is verified.
- h) The parallel and angular vertical alignment is made by shimming under the motor.
- i) The motor feet holes are again centered on the motor mounting studs using the centering nut. At this point the centering nut is removed and replaced with a standard nut. This gives maximum potential mobility for the motor to be horizontally moved during final, field alignment. All four motor feet are tightened down.
- j) The pump and motor shafts are then aligned horizontally, both parallel and angular, by moving the pump to the fixed motor.
- k) The pump feet are tightened down.
- l) Both horizontal and vertical alignment is again final checked as is the coupling spacer gap.

See section 4.8 for Final Shaft Alignment

4.6 Piping

Protective covers are fitted to the pipe connections to prevent foreign bodies entering during transportation and installation. Ensure that these covers are removed from the pump before connecting any pipes.

4.6.1 Suction and discharge pipework

Never use pump as a support for piping.

All piping must be independently supported, accurately aligned and preferably connected to the pump by a short length of flexible piping. The pump should not have to support the weight of the pipe or compensate for misalignment. It should be possible to install suction and discharge bolts through mating flanges without pulling or prying either of the flanges. All piping must be tight.

Pumps may air-bind if air is allowed to leak into the piping. If the pump flange(s) have tapped holes, select flange fasteners with thread engagement at least equal to the fastener diameter, but that do not bottom out in the tapped holes before the joint is tight.

Maximum forces and moments allowed on the pump flanges vary with the pump size and type. To minimize these forces and moments that may, if excessive, cause misalignment, hot bearings, worn couplings, vibration and the possible failure of the pump casing, the following points should be strictly followed:

- Prevent excessive external pipe load
- Never draw piping into place by applying force to pump flange connections
- Do not mount expansion joints so that their force, due to internal pressure, acts on the pump flange

Ensure piping and fittings are flushed before use.

Ensure piping for hazardous liquids is arranged to allow pump flushing before removal of the pump.

The GRP suction and discharge flanges require full flat face gaskets with a minimum thickness of 3.2 mm (0.125 in.) and a hardness 70 durometer (Shore A).

Check that the gasket material is compatible with the fluid and that the inner diameter of the gasket is centered before assembly.

Use flat washers behind the pump flanges and do not exceed 41 Nm (30 lbf•ft) torque on the flange bolting.

4.6.2 Suction piping

To avoid NPSH and suction problems, suction piping must be at least as large as the pump suction connection. Never use pipe or fittings on the suction that are smaller in diameter than the pump suction size.

Figure 4-7 illustrates the ideal piping configuration with a minimum of 10 pipe diameters between the source and the pump suction. In most cases, horizontal reducers should be eccentric and mounted with the flat side up as shown in figure 4-8 with a maximum of one pipe size reduction. Never mount eccentric reducers with the flat side down. Horizontally mounted concentric reducers should not be used if there is any possibility of entrained air in the process fluid. Vertically mounted concentric reducers are acceptable. In applications where the fluid is completely de-aerated and free of any vapor or suspended solids, concentric reducers are preferable to eccentric reducers

Figure 4-7

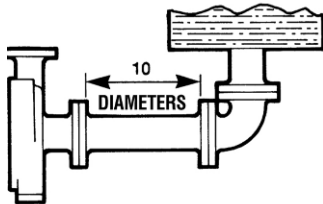
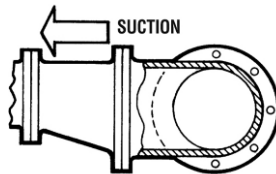


Figure 4-8

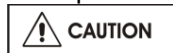


Avoid the use of throttling valves and strainers in the suction line. Start up strainers must be removed shortly before start up. When the pump is installed below the source of supply, a valve should be installed in the suction line to isolate the pump and permit pump inspection and maintenance. However, never place a valve directly on the suction nozzle of the pump.

Refer to the Durco Pump Engineering Manual and the Centrifugal Pump IOM section of the Hydraulic Institute Standards for additional recommendations on suction piping, section 10. Refer to section 3.4 for performance and operating limits.

4.6.3 Discharge piping

Install a valve in the discharge line. This valve is required for regulating flow and or to isolate the pump for inspection and maintenance.



When fluid velocity in the pipe is high, for example, 3 m/s (10 ft/sec) or higher, a rapidly closing discharge valve can cause a damaging pressure surge. A dampening arrangement should be provided in the piping.

A non-return valve should be located in the discharge pipework to protect the pump from excessive back pressure and hence reverse rotation when the unit is stopped.

4.6.4 Allowable nozzle loads - PolyChem GRP pumps (ASME B73.5)

Flowserve chemical process pumps meet or exceed the allowable nozzle loads given by ANSI/HI 9.6.2. The following paragraphs describe how to calculate the allowable loads for each pump type and how to determine if the applied loads are acceptable.

The following steps are based upon ANSI/HI 9.6.2. All information necessary to complete the evaluation is given below. For complete details please review the standard.

- a) Find the "Baseplate Correction Factor" in figure 4-10. The correction factor depends upon how the baseplate is to be installed
- b) The casing material correction factor for the GRP material is 0.9.
- c) Select the lowest correction factor from steps a) and b). For example:
 - If the pump is mounted on a Type A grouted baseplate, the correction factor used is 0.9.
 - If the pump is mounted on a Type D stilt mounted baseplate, the correction factor is 0.75.
- d) Locate the pump model being evaluated in figures 4-12 through 4-15 and multiply each load rating by the lowest correction factor. Record the adjusted loads for each table.
- e) Calculate the applied loads at the casing flanges according to the coordinate system depicted in figure 4-9. The 12 forces and moments possible are F_x , F_y , F_z , M_x , M_y , M_z , F_{xd} , F_{yd} , F_{zd} , M_{xd} , M_{yd} and M_{zd} . For example, F_{xd} designates Force in the "x" direction on the discharge flange. M_{ys} designates the Moment about the "y"-axis on the suction flange.
- f) Figure 4-11 gives the acceptance criteria equations. For long coupled pumps, equation sets 1 through 5 must be satisfied.
- g) *Equation set 1.* Each applied load is divided by the corresponding adjusted figure 4-12 value. The absolute value of each ratio must be less than or equal to one.
- h) *Equation set 2.* The summation of the absolute values of each ratio must be less than or equal to two. The ratios are the applied load divided by the adjusted figure 4-13 values.
- i) *Equation sets 3 and 4.* These equations are checking for coupling misalignment due to nozzle loading in each axis. Each applied load is divided by the corresponding adjusted load from figure 4-14 and 4-15. The result of each equation must be between one and negative one.
- j) *Equation set 5.* This equation calculates the total shaft movement from the results of equations 3 and 4. The result must be less than or equal to one.

Figure 4-9: Coordinate system

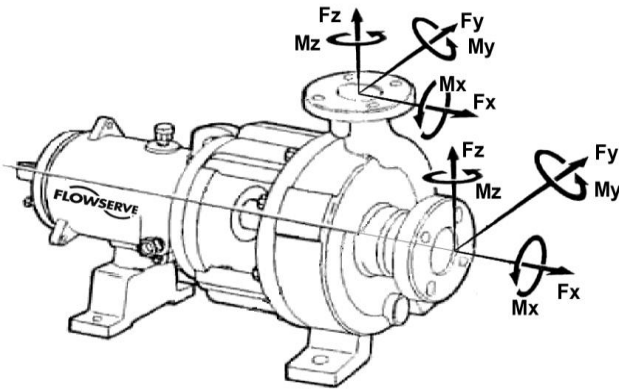


Figure 4-10: Baseplate correction factors

Base type	Grouted	Bolted	Stilt mounted
Type A	1.0	0.7	0.65
Type B - Polybase	1.0	n/a	0.95
Type C	n/a	1.0	1.0
Type D	1.0	0.8	0.75
Type E - PIP	1.0	0.95	n/a
Polyshield - baseplate /foundation	1.0	n/a	n/a

Figure 4-11: Acceptance criteria equations

Set	Equations	Figure	Remarks
1	$\frac{F_{xs}}{F_{xs_adj}} \leq 1.0, \frac{F_{ys}}{F_{ys_adj}} \leq 1.0, \frac{F_{zs}}{F_{zs_adj}} \leq 1.0, \frac{M_{xs}}{M_{xs_adj}} \leq 1.0, \frac{M_{ys}}{M_{ys_adj}} \leq 1.0, \frac{M_{zs}}{M_{zs_adj}} \leq 1.0$ $\frac{F_{xd}}{F_{xd_adj}} \leq 1.0, \frac{F_{yd}}{F_{yd_adj}} \leq 1.0, \frac{F_{zd}}{F_{zd_adj}} \leq 1.0, \frac{M_{xd}}{M_{xd_adj}} \leq 1.0, \frac{M_{yd}}{M_{yd_adj}} \leq 1.0, \frac{M_{zd}}{M_{zd_adj}} \leq 1.0$	Adjusted 4-12	Maximum individual loading
2	$\frac{F_{xs}}{F_{xs_adj}} + \frac{F_{ys}}{F_{ys_adj}} + \frac{F_{zs}}{F_{zs_adj}} + \frac{M_{xs}}{M_{xs_adj}} + \frac{M_{ys}}{M_{ys_adj}} + \frac{M_{zs}}{M_{zs_adj}} +$ $\frac{F_{xd}}{F_{xd_adj}} + \frac{F_{yd}}{F_{yd_adj}} + \frac{F_{zd}}{F_{zd_adj}} + \frac{M_{xd}}{M_{xd_adj}} + \frac{M_{yd}}{M_{yd_adj}} + \frac{M_{zd}}{M_{zd_adj}} \leq 2.0$	Adjusted 4-13	Nozzle stress, bolt stress, pump slippage
3	$A = \frac{F_{ys}}{F_{ys_adj}} + \frac{M_{xs}}{M_{xs_adj}} + \frac{M_{ys}}{M_{ys_adj}} + \frac{M_{zs}}{M_{zs_adj}} +$ $\frac{F_{yd}}{F_{yd_adj}} + \frac{M_{xd}}{M_{xd_adj}} + \frac{M_{yd}}{M_{yd_adj}} + \frac{M_{zd}}{M_{zd_adj}}$ $-1.0 \leq A \leq 1.0$	Adjusted 4-14	y-axis movement
4	$B = \frac{F_{xs}}{F_{xs_adj}} + \frac{F_{zs}}{F_{zs_adj}} + \frac{M_{xs}}{M_{xs_adj}} + \frac{M_{ys}}{M_{ys_adj}} + \frac{M_{zs}}{M_{zs_adj}} +$ $\frac{F_{xd}}{F_{xd_adj}} + \frac{F_{yd}}{F_{yd_adj}} + \frac{F_{zd}}{F_{zd_adj}} + \frac{M_{xd}}{M_{xd_adj}} + \frac{M_{yd}}{M_{yd_adj}} + \frac{M_{zd}}{M_{zd_adj}}$ $-1.0 \leq B \leq 1.0$	Adjusted 4-15	z-axis movement
5	$\sqrt{A^2 + B^2} \leq 1.0$	-	Combined axis movement

Note: All of the above equations are found by dividing the applied piping loads by the **adjusted** figure values.

4.6.5 Pump and shaft alignment check

After connecting the piping, rotate the pump drive shaft clockwise (view from motor end) by hand several complete revolutions to be sure there is no binding and that all parts are free. Recheck shaft alignment (see section 4.5). If piping caused unit to be out of alignment, correct piping to relieve strain on the pump.



Failure to ensure that a seal is installed may result in serious leakage of the pumped fluid.

Seal and seal support system must be installed and operational as specified by the seal manufacturer.

4.6.6 Auxiliary piping

4.6.6.1 Mechanical seal

When the pump is intended to be equipped with a mechanical seal, it is Flowserve standard practice to install the mechanical seal in the pump prior to shipment. Specific order requirements may specify that the seal be shipped separately, or none be supplied. It is the pump installer's responsibility to determine if a seal was installed. If a seal was supplied but not installed, the seal and installation instructions will be shipped with the pump.

The stuffing box/seal chamber/gland may have ports that have been temporarily plugged at the factory to keep out foreign matter. It is the installer's responsibility to determine if these plugs should be removed and external piping connected. Refer to the seal drawings and or the local Flowserve representative for the proper connections.

When installing piping, do not install metal pipe fittings directly into the non metallic threaded connections on the pump. If metal pipe fittings must be used, then install a non metallic pipe nipple into the connection on the pump and then connect metal pipework to this nipple.

Figure 4-12: Maximum individual loading

Pump size	Suction flange						Discharge flange					
	Forces N (lbf)			Moments Nm (lbf·ft)			Forces N (lbf)			Moments Nm (lbf·ft)		
	Fxs	Fys	Fzs	Mxs	Mys	Mzs	Fxd	Fyd	Fzd	Mxd	Myd	Mzd
1J 1.5x1G-6	4 670 (1 050)	3 336 (750)	3 336 (750)	976 (720)	231 (170)	231 (170)	3 558 (800)	6 005 (1350)	13 344 (3 000)	556 (410)	556 (410)	556 (410)
1J 3x1.5G-6	4 670 (1 050)	5 516 (1 240)	5 560 (1 250)	1 220 (900)	664 (490)	664 (490)	3 558 (800)	6 005 (1 350)	13 344 (3 000)	678 (500)	746 (550)	692 (510)
1J 3x2G-6	4 670 (1 050)	4 670 (1 050)	4 670 (1 050)	1 220 (900)	298 (220)	298 (220)	3 558 (800)	6 005 (1 350)	13 344 (3 000)	678 (500)	1 356 (1 000)	692 (510)
1K 3x2GS-7	4 670 (1 050)	4 670 (1 050)	4 670 (1 050)	1 220 (900)	298 (220)	298 (220)	3 558 (800)	6 005 (1 350)	13 344 (3 000)	678 (500)	1 356 (1 000)	692 (510)
1J 1.5x1G-8	4 670 (1 050)	5 382 (1 210)	5 382 (1 210)	976 (720)	258 (190)	258 (190)	3 558 (800)	6 005 (1 350)	13 344 (3 000)	488 (360)	488 (360)	488 (360)
2K 3x1.5G-8	12 010 (2 700)	6 005 (1 350)	6 672 (1 500)	1 763 (1 300)	502 (370)	502 (370)	6 227 (1 400)	6 005 (1 350)	14 456 (3 250)	624 (460)	624 (460)	624 (460)
2K 3x2G-8	12 010 (2 700)	6 005 (1 350)	6 672 (1 500)	1 763 (1 300)	814 (600)	814 (600)	6 227 (1 400)	6 005 (1 350)	14 456 (3 250)	895 (660)	895 (660)	895 (660)
2K 4x3G-8	12 010 (2 700)	6 005 (1 350)	6 672 (1 500)	1 763 (1 300)	475 (350)	475 (350)	6 227 (1 400)	6 005 (1 350)	14 456 (3 250)	1 627 (1 200)	1 980 (1 460)	936 (690)
2K 2x1G-10	10 408 (2 340)	4 270 (960)	4 270 (960)	1 722 (1 270)	298 (220)	298 (220)	6 227 (1 400)	6 005 (1 350)	14 456 (3 250)	895 (660)	895 (660)	895 (660)
2K 3x1.5G-10	12 010 (2 700)	6 005 (1 350)	6 672 (1 500)	1 763 (1 300)	570 (420)	570 (420)	6 227 (1 400)	6 005 (1 350)	14 456 (3 250)	502 (370)	502 (370)	502 (370)
2K 4x3G-10	10 230 (2 300)	6 005 (1 350)	6 672 (1 500)	1 763 (1 300)	420 (310)	420 (310)	6 227 (1 400)	6 005 (1 350)	14 456 (3 250)	1 627 (1 200)	1 980 (1 460)	936 (690)
2K 6x4G-10	12 010 (2 700)	6 005 (1 350)	6 672 (1 500)	1 763 (1 300)	1 492 (1 100)	1 492 (1 100)	6 227 (1 400)	6 005 (1 350)	14 456 (3 250)	1 627 (1 200)	2 034 (1 500)	936 (690)
2K 3x1.5G-13	12 010 (2 700)	6 005 (1 350)	6 672 (1 500)	1 763 (1 300)	909 (670)	909 (670)	6 227 (1 400)	6 005 (1 350)	14 456 (3 250)	719 (530)	719 (530)	719 (530)
2K 4x3G-13	12 010 (2 700)	6 005 (1 350)	6 672 (1 500)	1 763 (1 300)	542 (400)	542 (400)	6 227 (1 400)	6 005 (1 350)	14 456 (3 250)	1 627 (1 200)	2 034 (1 500)	936 (690)
3J 8x6G-13	15 568 (3 500)	14 145 (3 180)	8 896 (2 000)	2 034 (1 500)	1 587 (1 170)	1 587 (1 170)	6 672 (1 500)	13 344 (3 000)	15 568 (3 500)	1 695 (1 250)	3 851 (2 840)	3 851 (2 840)
3J & 4J 12x10G-15	15 568 (3 500)	14 145 (3 180)	8 896 (2 000)	2 034 (1 500)	1 532 (1 130)	1 532 (1 130)	6 672 (1 500)	13 344 (3 000)	15 568 (3 500)	1 695 (1 250)	3 851 (2 840)	3 851 (2 840)

Figure 4-13: Maximum combined loading

Pump size	Suction flange						Discharge flange					
	Forces N (lbf)			Moments Nm (lbf·ft)			Forces N (lbf)			Moments Nm (lbf·ft)		
	Fxs	Fys	Fzs	Mxs	Mys	Mzs	Fxd	Fyd	Fzd	Mxd	Myd	Mzd
1J 1.5x1G-6	8 985 (2 020)	3 336 (750)	3 336 (750)	2 481 (1 830)	231 (170)	231 (170)	8 985 (2 020)	6 005 (1 350)	27 756 (6 240)	556 (410)	556 (410)	556 (410)
1J 3x1.5G-6	8 985 (2 020)	5 516 (1 240)	9 385 (2 110)	3 105 (2 290)	664 (490)	664 (490)	8 985 (2 020)	6 005 (1 350)	27 756 (6 240)	746 (550)	746 (550)	692 (510)
1J 3x2G-6	8 985 (2 020)	4 670 (1 050)	4 670 (1 050)	3 105 (2 290)	298 (220)	298 (220)	8 985 (2 020)	6 005 (1 350)	27 756 (6 240)	1 397 (1 030)	1 397 (1 030)	692 (510)
1K 3x2GS-7	8 985 (2 020)	4 670 (1 050)	4 670 (1 050)	3 105 (2 290)	298 (220)	298 (220)	8 985 (2 020)	6 005 (1 350)	27 756 (6 240)	1 397 (1 030)	1 397 (1 030)	692 (510)
1J 1.5x1G-8	8 985 (2 020)	5 382 (1 210)	5 382 (1 210)	2 481 (1 830)	258 (190)	258 (190)	8 985 (2 020)	6 005 (1 350)	27 756 (6 240)	488 (360)	488 (360)	488 (360)
2K 3x1.5G-8	12 010 (2 700)	6 005 (1 350)	8 095 (1 820)	5 058 (3 730)	814 (370)	502 (370)	8 985 (2 020)	6 005 (1 350)	27 756 (6 240)	624 (460)	624 (460)	624 (460)
2K 3x2G-8	12 010 (2 700)	6 005 (1 350)	11 076 (2 490)	5 058 (3 730)	814 (600)	814 (600)	8 763 (1 970)	6 005 (1 350)	27 756 (6 240)	895 (660)	895 (660)	895 (660)
2K 4x3G-8	12 010 (2 700)	6 005 (1 350)	8 184 (1 840)	5 058 (3 730)	475 (350)	475 (350)	8 985 (2 020)	6 005 (1 350)	27 756 (6 240)	1 980 (1 460)	1 980 (1 460)	936 (690)
2K 2x1G-10	10 408 (2 340)	4 270 (960)	4 270 (960)	4 936 (3 640)	298 (220)	298 (220)	8 985 (2 020)	6 005 (1 350)	27 756 (6 240)	895 (660)	895 (660)	895 (660)
2K 3x1.5G-10	12 010 (2 700)	6 005 (1 350)	8 496 (1 910)	5 058 (3 730)	570 (420)	570 (420)	8 629 (1 940)	6 005 (1 350)	27 756 (6 240)	502 (370)	502 (370)	502 (370)
2K 4x3G-10	10 230 (2 300)	6 005 (1 350)	7 295 (1 640)	5 058 (3 730)	420 (310)	420 (310)	8 985 (2 020)	6 005 (1 350)	27 756 (6 240)	1 980 (1 460)	1 980 (1 460)	936 (690)
2K 6x4G-10	12 010 (2 700)	6 005 (1 350)	27 756 (6 240)	5 058 (3 730)	1 492 (1 100)	1 492 (1 100)	8 985 (2 020)	6 005 (1 350)	27 756 (6 240)	4 204 (3 100)	4 204 (3 100)	936 (690)
2K 3x1.5G-13	12 010 (2 700)	6 005 (1 350)	13 611 (3 060)	5 058 (3 730)	909 (670)	909 (670)	8 985 (2 020)	6 005 (1 350)	27 756 (6 240)	719 (530)	719 (530)	719 (530)
2K 4x3G-13	12 010 (2 700)	6 005 (1 350)	10 631 (2 390)	5 058 (3 730)	542 (400)	542 (400)	8 985 (2 020)	6 005 (1 350)	27 756 (6 240)	2 346 (1 730)	2 346 (1 730)	936 (690)
3J 8x6G-13	28 289 (6 360)	14 145 (3 180)	22 596 (5 080)	12 163 (8 970)	1 587 (1 170)	1 587 (1 170)	28 289 (6 360)	14 145 (3 180)	59 870 (13 460)	9 194 (6 780)	5 221 (3 850)	3 851 (2 840)
3J & 4J 12x10G-15	28 289 (6 360)	14 145 (3 180)	22 818 (5 130)	12 163 (8 970)	1 532 (1 130)	1 532 (1 130)	28 289 (6 360)	14 145 (3 180)	59 870 (13 460)	12 163 (8 970)	12 285 (9 060)	3 851 (2 840)

Figure 4-14: Maximum Y-axis loading for shaft deflection

Pump size	Suction flange						Discharge flange					
	Forces N (lbf)			Moments Nm (lbf·ft)			Forces N (lbf)			Moments Nm (lbf·ft)		
	Fxs	Fys	Fzs	Mxs	Mys	Mzs	Fxd	Fyd	Fzd	Mxd	Myd	Mzd
Group 1		-8 896 (-2 000)		1 220.4 (900)	1 627.2 (1 200)	1 695 (1 250)		6 672 (1 500)		-678 (-500)	2 034 (1 500)	1 695 (1 250)
Group 2		-15 568 (-3 500)		1 762.8 (1 300)	1 762.8 (1 300)	4 068 (3 000)		11 120 (2 500)		-1 627 (-1 200)	2 034 (1 500)	4 068 (3 000)
Group 3		-22 240 (-5 000)		2 034 (1 500)	2 712 (2 000)	5 424 (4 000)		13 344 (3 000)		-1 695 (-1 250)	6 780 (5 000)	5 424 (4 000)

Figure 4-15: Maximum Z-axis loading for shaft deflection

Pump size	Suction flange						Discharge flange					
	Forces N (lbf)			Moments Nm (lbf·ft)			Forces N (lbf)			Moments Nm (lbf·ft)		
	Fxs	Fys	Fzs	Mxs	Mys	Mzs	Fxd	Fyd	Fzd	Mxd	Myd	Mzd
Group 1	4 670 (1 050)		-5 560 (-1 250)	2 034 (1 500)	1 627 (1 200)	-3 390 (-2 500)	3 558 (800)	8 896 (2 000)	-13 344 (-3 000)	-2 034 (-1 500)	1 356 (1 000)	-3 390 (-2 500)
Group 2	15 568 (3 500)		-6 672 (-1 500)	2 034 (1 500)	1 763 (1 300)	-4 746 (-3 500)	6 227 (1 400)	11 120 (2 500)	-14 456 (-3 250)	-2 034 (-1 500)	2 915 (2 150)	-4 746 (-3 500)
Group 3	15 568 (3 500)		-8 896 (-2 000)	2 034 (1 500)	5 560 (4 100)	-5 424 (-4 000)	6 672 (1 500)	17 792 (4 000)	-15 568 (-3 500)	-2 034 (-1 500)	6 780 (5 000)	-5 424 (-4 000)

Single seals requiring re-circulation will normally be provided with the auxiliary piping from the pump casing already fitted.

Seal housings/covers having an auxiliary quench connection require connection to a suitable source of liquid flow, low pressure steam or static pressure from a header tank. Recommended pressure is 0.35 bar (5 psi) or less. Check *General arrangement drawing*.

Double seals require a barrier liquid between the seals, compatible with the pumped liquid.

With back-to-back double seals, the barrier liquid should be at a minimum pressure of 1 bar above the maximum pressure on the pump side of the inner seal. The barrier liquid pressure must not exceed limitations of the seal on the atmospheric side. For toxic service the barrier liquid supply and discharge must be in a safe area.

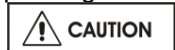
Special seals may require modification to auxiliary piping described above. Consult Flowserve if unsure of correct method or arrangement.

For pumping hot liquids, to avoid seal damage, it is recommended that any external flush/cooling supply be continued after stopping the pump.

Tandem seals require a barrier liquid between the seals compatible with the pumped liquid.

4.6.6.2 Packing

When the pump is intended to be equipped with shaft packing, it is not Flowserve standard practice to install the packing in the stuffing box prior to shipment. The packing is shipped with the pump. It is the pump installer's responsibility to install the packing in the stuffing box.



Failure to ensure that packing is installed may result in serious leakage of the pumped fluid.

4.6.6.3 Piping connection – seal/packing support system



If the pump has a seal support system it is mandatory that this system be fully installed and operational before the pump is started.

Packing lubrication. Water, when compatible with the pumpage, should be introduced into the seal gland at pressure 0.69 to 1.03 bar (10 to 15 psi) above the stuffing box pressure.

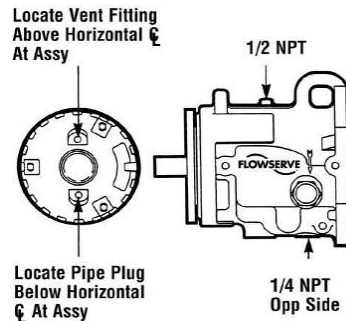
The gland should be adjusted to give a flow rate of 20 to 30 drops per minute for clean fluid. For abrasive applications, the regulated flow rate should be 0.22 to 0.47 m³/h (1 to 2 US gpm)

Grease lubrication, when compatible with the liquid being pumped, may be used. In non-abrasive applications the liquid being pumped may be sufficient to lubricate the packing without the need for external lines.

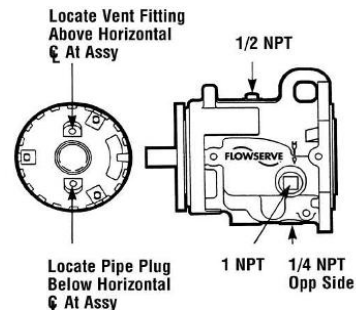
4.6.6.4 Piping connection - Oil mist lubrication system

The piping connections for an oil mist lubrication system are shown below.

Oil mist ready housing wet sump



Oil mist ready housing dry sump



4.6.6.5 Piping connection – air bleed line

The 1K3x2GS-7 self-priming pump evacuates the air from the suction line when it primes. The length of the line and diameter determine the volume of air and the time required for priming. Flowserve recommends that a small air bleed line be fitted from the discharge piping to the sump if the air is not able to freely vent out the discharge pipe.

4.7 Electrical connections

DANGER Electrical connections must be made by a qualified Electrician in accordance with relevant local national and international regulations.

It is important to be aware of the EUROPEAN DIRECTIVE on potentially explosive areas where compliance with IEC60079-14 is an additional requirement for making electrical connections.

It is important to be aware of the EUROPEAN DIRECTIVE on electromagnetic compatibility when wiring up and installing equipment on site. Attention must be paid to ensure that the techniques used during wiring/installation do not increase electromagnetic emissions or decrease the electromagnetic immunity of the equipment, wiring or any connected devices. If in any doubt contact Flowserve for advice.

DANGER The motor must be wired up in accordance with the motor manufacturer's instructions (normally supplied within the terminal box) including any temperature, earth leakage, current and other protective devices as appropriate. The identification nameplate should be checked to ensure the power supply is appropriate.

A device to provide emergency stopping must be fitted.

If not supplied pre-wired to the pump unit, the controller/starter electrical details will also be supplied within the controller/starter.

CAUTION See section 5.4, *Direction of rotation* before connecting the motor to the electrical supply.

4.8 Final shaft alignment check

- a) Level baseplate if appropriate.
- b) Mount and level pump if appropriate. Level the pump by putting a level on the discharge flange. If not level, adjust the footpiece by adding or deleting shims from between the footpiece and the bearing housing.
- c) Check initial alignment. If pump and driver have been remounted or the specifications given below are not met, perform an initial alignment as described in section 4.5. This ensures there will be sufficient clearance between the motor hold down bolts and motor foot holes to move the motor into final alignment. The pump and driver should be within 0.38 mm (0.015 in.) FIM (Full Indicator Movement) parallel, and 0.0025 mm/mm (0.0025 in./in.) FIM angular.

Stilt mounted baseplates. If initial alignment cannot be achieved with the motor fasteners centered, the baseplate may be twisted. Slightly adjust (one turn of the adjusting nut) the stilts at the driver end of the baseplate and check for alignment to the above tolerances. Repeat as necessary while maintaining a level condition as measured from the pump discharge flange.

- d) Run piping to the suction and discharge to the pump. There should be no piping loads transmitted to the pump after connection is made. Recheck the alignment to verify that there are no significant changes.
- e) Perform final alignment. Check for soft-foot under the driver. An indicator placed on the coupling, reading in the vertical direction, should not indicate more than 0.05 mm (0.002 in.) movement when any driver fastener is loosened. Align the driver first in the vertical direction by shimming underneath its feet. When satisfactory alignment is obtained the number of shims in the pack should be minimized. It is recommended that no more than five shims be used under any foot. Final horizontal alignment is made by moving the driver. Maximum pump reliability is obtained by having near perfect alignment. Flowserve recommends no more than 0.05 mm (0.002 in.) parallel, and 0.0005 mm/mm (0.0005 in./in.) angular misalignment. (See section 6.8.4.7).

- f) **CAUTION** The pump and motor will normally have to be aligned at ambient temperature with an allowance for thermal expansion at operating temperature. (See chart below) In pump installations involving high liquid temperatures, the unit should be run at the actual operating temperature, shut down and the alignment checked immediately. See chart below for recommended offset:

Pumped fluid temperature	Set the driver shaft
Up to 93 °C (200 °F)	Equal to the pump shaft
93 °C to 121 °C (200 °F to 250 °F)	0.13 mm (0.005 in.) below pump shaft

4.9 Protection systems

The following protection systems are recommended particularly if the pump is installed in a potentially explosive area or is handling a hazardous liquid. If in any doubt consult Flowserve.


If there is any possibility of the system allowing the pump to run against a closed valve or below minimum continuous safe flow a protection device should be installed to ensure the temperature of the liquid does not rise to an unsafe level.

If there are any circumstances in which the system can allow the pump to run dry, or start up empty, a power monitor should be fitted to stop the pump or prevent it from being started. This is particularly relevant if the pump is handling a flammable liquid.

If leakage of product from the pump or its associated sealing system can cause a hazard it is recommended that an appropriate leakage detection system is installed.

To prevent excessive surface temperatures at bearings it is recommended that temperature or vibration monitoring are carried out.

5 COMMISSIONING, START-UP, OPERATION AND SHUTDOWN

 **These operations must be carried out by fully qualified personnel.**

5.1 Pre-commissioning procedure

5.1.1 Pre start-up checks

Prior to starting the pump it is essential that the following checks be made. These checks are all described in detail in section 6, *Maintenance*.

- Pump and motor properly secured to the baseplate
- All fasteners tightened to the correct torque
- Coupling guard in place and not rubbing
- Rotation check. (See section 5.4.)

This is absolutely essential

- Impeller clearance setting
- Shaft seal properly installed
- Seal support system operational
- Bearing lubrication
- Pump instrumentation is operational
- Pump is primed
- Rotation of shaft by hand

As a final step, in preparation for operation, it is important to rotate the shaft by hand to be certain that all rotating parts move freely, and that there are no foreign objects in the pump casing.

5.2 Pump lubricants

5.2.1 Oil bath

Oil bath is available on all product lines with the exception of the In-line pump. The standard bearing housing bearings are oil bath lubricated and are not lubricated by Flowserve. Before operating the pump, fill the bearing housing to the center of the oil sight

glass with the proper type oil. (See figure 5-2 for approximate amount of oil required - do not overfill.)

On the Mark 3A design, an optional oil slinger is available. The oil slinger is not necessary; however, if used, it provides an advantage by allowing a larger tolerance in acceptable oil level. Without an oil slinger, the oil level in the bearing housing must be maintained at ± 3 mm ($\pm 1/8$ in.) from the center of the sight glass. The sight glass has a 6 mm ($1/4$ in.) hole in the center of its reflector. The bearing housing oil level must be within the circumference of the center hole to ensure adequate lubrication of the bearings.

See figure 5-3 for recommended lubricants.

 DO NOT USE DETERGENT OILS.

The oil must be free of water, sediment, resin, soaps, acid and fillers of any kind. It should contain rust and oxidation inhibitors. The proper oil viscosity is determined by the bearing housing operating temperature as given in figure 5-4.

To add oil to the housing, clean and then remove the vent plug [6521] at the top of the bearing housing, pour in oil until it is visually half way up in the sight glass [3856]. Fill the constant level oiler bottle [3855], if used, and return it to its position. The correct oil level is obtained with the constant level oiler in its lowest position, which results in the oil level being at the top of the oil inlet pipe nipple, or half way up in the sight glass window. Oil must be visible in the bottle at all times.


 On ANSI 3A™ power ends there is no constant level oiler. As stated above, proper oil level is the center of the “bull’s eye” sight glass [3856]. (See figure 5-1.)



Figure 5-1

In many pumping applications lubricating oil becomes contaminated before it loses its lubricating qualities or breaks down. For this reason it is recommended that the first oil change take place after approximately 160 hours of operation, at which time, the used oil should be examined carefully for contaminants. During the initial operating period monitor the bearing housing operating temperature.

Record the external bearing housing temperature. (See figure 5-6 for maximum acceptable temperatures.) The normal oil change interval is based on temperature and is shown in figure 5-7.

Figure 5-2: Amount of oil required

Size	Volume
Group 1	250 ml (8.5 oz)
Group 2	950 ml (32 oz)
Group 3	1420 ml (48 oz)
Group 4	1420 ml (48 oz)

Figure 5-3: Recommended oil lubricants

Centrifugal pump lubrication	Oil	Splash lubrication		Oil mist lubrication
	Viscosity mm ² /s 40 °C	32	68	46
	Temp. max. °C (°F)	65 (149)	80 (176)	-
	Designation according to DIN51502 ISO VG	HL/HLP 32	HL/HLP 68	HL/HLP 46
Oil companies and lubricants	BP	BP Energol HL32 BP Energol HLP32	BP Energol HL68 BP Energol HLP68	BP Energol HL46 BP Energol HLP46
	DEA	Anstron HL32 Anstron HLP32	Anstron HL68 Anstron HLP68	Anstron HL46 Anstron HLP46
	Elf	OLNA 32 HYDRELEF 32 TURBELF 32 ELFOLNA DS32	TURBELF SA68 ELFOLNA DS68	TURBELF SA46 ELFOLNA DS46
	Esso	TERESSO 32 NUTO H32	TERESSO 68 NUTO H68	TERESSO 46 NUTO H46
	Mobil	Mobil DTE oil light Mobil DTE13 MobilDTE24	Mobil DTE oil heavy medium Mobil DTE26	Mobil DTE oil medium Mobil DTE15M Mobil DTE25
	Q8	Q8 Verdi 32 Q8 Haydn 32	Q8 Verdi 68 Q8 Haydn 68	Q8 Verdi 46 Q8 Haydn 46
	Shell	Shell Tellus 32 Shell Tellus 37	Shell Tellus 01 C 68 Shell Tellus 01 68	Shell Tellus 01 C 46 Shell Tellus 01 46
	Texaco	Rando Oil HD 32 Rando Oil HD-AZ-32	Rando Oil 68 Rando Oil HD C-68	Rando Oil 46 Rando Oil HD B-46
	Wintershall (BASF Group)	Wiolan HN32 Wiolan HS32	Wiolan HN68 Wiolan HS68	Wiolan HN46 Wiolan HS46

Figure 5-4: General lubricant description

Mineral oil	Quality mineral oil with rust and oxidation inhibitors. Mobil DTE Heavy/Medium (or equivalent)
Synthetic	Royal Purple or Conoco SYNCON (or equivalent). Some synthetic lubricants require Viton O-rings.
Grease	EXXON POLYREX EM (or compatible)

Figure 5-6: Maximum external housing temperatures

Lubrication	Temperature
Oil bath	82 °C (180 °F)
Oil mist	82 °C (180 °F)
Grease	94 °C (200 °F)



The maximum temperature that the bearing can be exposed to is 105 °C (220 °F).

Figure 5-5: Oil viscosity grades

Maximum oil temperature	ISO viscosity grade	Minimum viscosity index
Up to 71 °C (160 °F)	46	95
71 - 80 °C (160 - 175 °F)	68	95
80 - 94 °C (175 - 200 °F)	100	95

Figure 5-7: Lubrication intervals *

Lubricant	Under 71 °C (160 °F)	71 - 80 °C (160 - 175 °F)	80 - 94 °C (175 - 200 °F)
Grease	6 months	3 months	1.5 months
Mineral oil	6 months	3 months	1.5 months
Synthetic oil **	18 months	18 months	18 months

* Assuming good maintenance and operation practices, and no contamination.

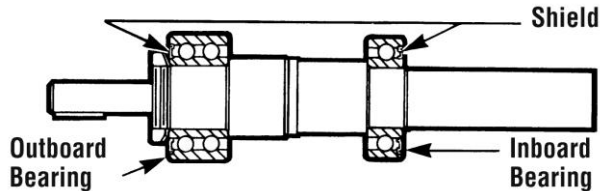
** May be increased to 36 months with ANSI 3A™ power end.

5.2.2 Grease

5.2.2.1 Regreasable

Single shielded regreasable bearings. When the grease lubrication option is specified, single shielded bearings, grease fittings and vent pipe plugs are installed inboard and outboard.

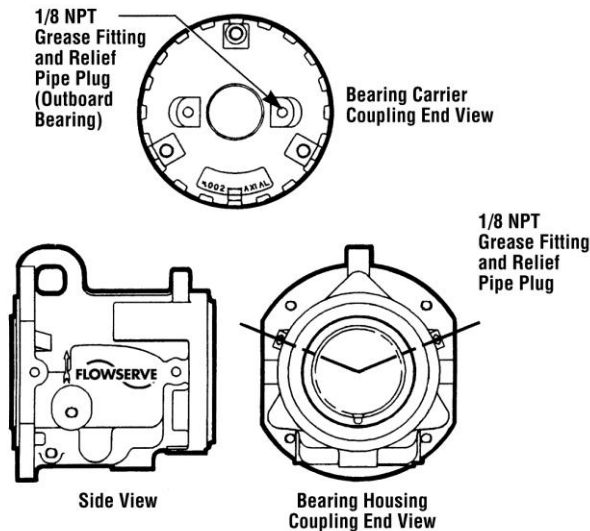
Figure 5-8: Horizontal pump shield orientation



Horizontal pump bearings are packed with Exxon POLYREX EM grease prior to assembly. For relubrication, a grease with the same type base (polyurea) and oil (mineral) should be used. To regrease, remove the pipe plug from both the inboard and outboard bearing location. (See figure 5-9.) After relubricating the bearings three times, it is typically recommended that the old grease be cleaned out of the bearing housing.

CAUTION Make sure to be electrically grounded prior to regreasing in an explosive atmosphere. To regrease bearings under coupling guard, stop pump, lock the motor, remove coupling guard, and then regrease the bearings.

Figure 5-9: Regreasable configuration



The amount of grease required for horizontal pumps is shown in figure 5-10.

Figure 5-10: Horizontal lubrication amounts

Housing	Initial lube	Relubrication
Group 1 Inboard	Until grease comes out of plug	7.5 cm ³ (0.46 in. ³)
Group 1 Outboard	Until grease comes out of plug	14 cm ³ (0.85 in. ³)
Group 1 Duplex	34 cm ³ (2.1 in. ³)	17 cm ³ (1.0 in. ³)
Group 2 Inboard	Until grease comes out of plug	17 cm ³ (1.0 in. ³)
Group 2 Outboard	Until grease comes out of plug	28 cm ³ (1.7 in. ³)
Group 2 Duplex	68 cm ³ (4.1 in. ³)	34 cm ³ (2.1 in. ³)
Group 3 and 4 Inboard	Until grease comes out of plug	30 cm ³ (1.8 in. ³)
Group 3 and 4 Outboard	Until grease comes out of plug	54 cm ³ (3.3 in. ³)
Group 3 and 4 Duplex	115 cm ³ (7.0 in. ³)	60 cm ³ (3.7 in. ³)

CAUTION Do not fill the housing with oil when greased bearings are used. The oil will leach the grease out of the bearings and the life of the bearings may be drastically reduced.

5.2.2.2 Grease for life

Double shielded or double sealed bearings
These bearings are packed with grease by the bearing manufacturer and should not be relubricated. The replacement interval for these bearings is greatly affected by their operating temperature and speed. Shielded bearings typically operate cooler.

5.2.3 Oil mist

The inlet port for all horizontal pumps is the plugged 1/2 in. NPT located at the top of the bearing housing. A vent fitting has been supplied on the bearing carrier, as well as a plugged 1/4 in. NPT bottom drain on the bearing housing. (See section 4.6.6.4, *Oil mist lubrication system*.) Do not allow oil level to remain above the center of the bearing housing sight glass window with purge mist (wet sump) systems.

The optional oil slinger must not be used with an oil mist system.

5.3 Impeller clearance

Before carrying out this procedure ensure that the mechanical seal(s) fitted can tolerate a change in their axial setting, otherwise it will be necessary to dismantle the unit and reset the seal axial position after adjusting the impeller clearance.

5.3.1 Final impeller clearance

The open impeller design used by the PolyChem GRP is set off the casing to achieve the final operational gap. The impeller clearance was set at the factory. (See figure 5-11.)

Figure 5-11: Final impeller clearance setting

Pump frame size	Impeller gap to casing
Group 1 and 2	0.38 mm (0.015 in.)
3J 8x6G-14	0.51 mm (0.020 in.)
3J 12x10G-15 and 4J 12x10G-15B	0.63 mm (0.025 in.)

The rotation of bearing carrier from center of one lug on the bearing carrier to center of next lug results in axial shaft movement of 0.1 mm (0.004 in.).

5.3.2 Initial impeller setting

Initial impeller clearance is set off the rear cover since the casing is typically left in the piping during servicing of the power end and seal. The initial setting is meant to get the impeller close to the casing so that final adjustment does not upset the mechanical seal setting. The tabulated dimension “X” (see fig. 5-12 and 5-13) can be preset during assembly of the power end prior to installation into the casing.

Figure 5-12: Initial impeller setting

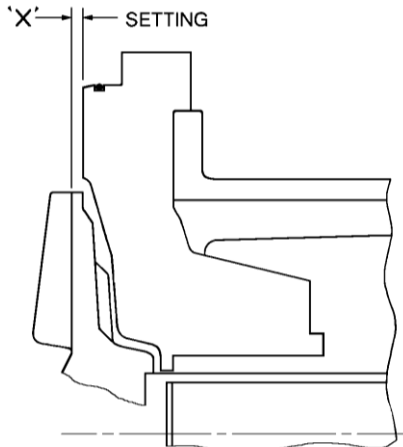


Figure 5-13: Initial impeller back setting “X”

Pump size	Setting distance
1J1k1½ x 1 x 6	3.22 mm (0.127 in.)
1J3 x 1½ x 6	0.91 mm (0.036 in.)
1J3 x 2 x 6K	13.16 mm (0.518 in.)
1J1½ x 1 x 8	0.91 mm (0.036 in.)
2K3 x 1½ x 8	4.16 mm (0.164 in.)
2K3 x 2 x 8	3.17 mm (0.125 in.)
2K4 x 3 x 8	5.51 mm (0.217 in.)
2K2 x 1 x 10	2.36 mm (0.093 in.)
2K3 x 1½ x 10	15.54 mm (0.612 in.)
2K4 x 3 x 10	15.54 mm (0.612 in.)
2K6 x 4 x 10	11.70 mm (0.461 in.)
2K3 x 1½ x 13	0.79 mm (0.031 in.)
2K4 x 3 x 13	0.79 mm (0.031 in.)
3J8 x 6 x 13	1.57 mm (0.062 in.)
3J12 x 10 x 15	17.45 mm (0.687 in.)
4J12 x 10 x 15B	17.45 mm (0.687 in.)

5.4 Direction of rotation

5.4.1 Rotation check



It is absolutely essential that the rotation of the motor is checked before connecting the shaft coupling. Incorrect rotation of the pump, for even a short time, can dislodge and damage the impeller, casing, shaft and shaft seal. All PolyChem GRP pumps turn clockwise as viewed from the motor end. Make sure the motor rotates in the same direction.



If maintenance work has been carried out to the site’s electricity supply, the direction of rotation should be re-checked as above in case the supply phasing has been altered.

5.4.2 Coupling installation



The coupling (figure 5-14) should be installed as advised by the coupling manufacturer. Pumps are shipped without the spacer installed. If the spacer has been installed to facilitate alignment, then it must be removed prior to checking rotation. Remove all protective material from the coupling and shaft before installing the coupling.

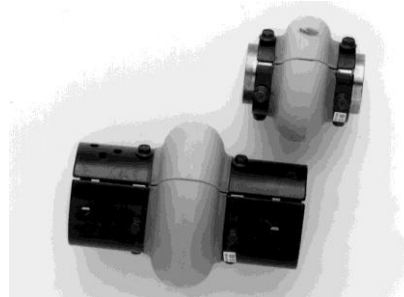


Figure 5-14

5.5 Guarding



Power must never be applied to the driver when the coupling guard is not installed.

5.5.1 Clam shell guard - standard

The standard coupling guard for all PolyChem pumps is the “clam shell” design and is shown in figure 5-15. It is hinged at the top and can be removed by loosening one of the foot bolts and sliding the support leg out from under the cap screw. (Note that the foot is slotted).

The leg can then be rotated upward and half of the guard can be disengaged (unhinged) from the other. (Note that only one side of the guard needs to be removed.) To reassemble simply reverse the above procedure.



Figure 5-15

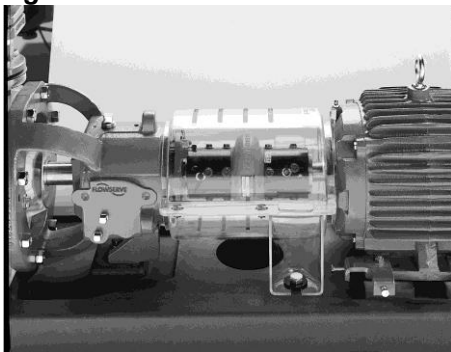
Flowserve coupling guards are safety devices intended to protect workers from inherent dangers of the rotating pump shaft, motor shaft and coupling. It is intended to prevent entry of hands, fingers or other body parts into a point of hazard by reaching through, over, under or around the guard. No standard coupling guard provides complete protection from a disintegrating coupling. Flowserve cannot guarantee their guards will completely contain an exploding coupling.

The coupling guard shown in figure 5-15 conforms to the USA standard ASME B15.1, "Safety Standard for Mechanical Power Transmission Apparatus." Flowserve manufacturing facilities worldwide conform to local coupling guard regulations.

5.5.2 ClearGuard™ - option

Flowserve offers as an option a ClearGuard™ which allows you to see the condition of the coupling. (See figure 5-16.) This guard can be used in place of the existing clamshell guard described above. The following instructions enable the user to properly fit this guard to the pump and motor.

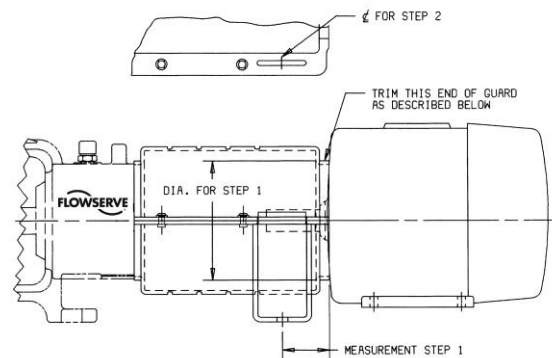
Figure 5-16: ClearGuard™



5.5.2.1 Trimming and assembly instructions

In order to correctly fit the pump/motor configuration, each ClearGuard must be trimmed to a specific length. This trimming is done on the motor end of the guard as described below. (See figure 5-17.)

Figure 5-17: ClearGuard™ trimming



5.5.2.1a Trimming

- Measure minimum distance from the center of mounting hole in the baseplate to the motor at diameter as shown above.
- Locate a reference center of the slot in the coupling guard flange. Transfer measurement from step 1 to the guard using this reference center.
- Trim the motor end of guard according to the above measurement. Trimming is best done with a band saw, but most other types of manual or power saws give acceptable results. Care must be taken to ensure that there is no gap larger than 6 mm (0.24 in.) between the motor and the coupling guard.
- Note - if motor diameter is smaller than the guard diameter, trim guard so that it extends over the end of the motor as far as possible.
- Deburr the trimmed end with a file or a sharp knife. Care must be taken to eliminate all sharp edges.

5.5.2.1b Assembly

- Place the bottom and top halves of the ClearGuard around the coupling.
- Install the support legs by inserting and then rotating the top flange of the leg through the slot in the shell flange until it comes all the way through and locks the top and bottom together.
- Attach the support legs to the baseplate using the fasteners and washers provided.
- Install fasteners in the holes provided to secure the guard flanges together.

5.6 Priming and auxiliary supplies

The PolyChem GRP pump will not move liquid unless the pump is primed. A pump is said to be "primed" when the casing and the suction piping are completely filled with liquid.

Open discharge valves a slight amount. This will allow any entrapped air to escape and will normally allow the pump to prime if the suction source is above the pump.

When a condition exists where the suction pressure may drop below the pump's capability, it is advisable to add a low-pressure control device to shut the pump down when the pressure drops below a predetermined minimum.

Note: **1K3x2GS-7 unitized self-priming PolyChem GRP pump**

This has a different requirement regarding priming. The initial priming liquid must be added to the pump casing until the liquid has reached the bottom of the suction nozzle. Once the initial prime is in place, the pump will automatically replenish itself and be self-priming.

CAUTION The time required to prime can range from a several seconds to several minutes. If the fluid being pumped is sensitive to temperature change, please contact Flowserve engineering to verify that the temperature increase will not create a dangerous condition inside the pump casing.

When in service, pumps using inlet pipes with foot valves may be primed by passing liquid back from the outlet pipe through the pump.

5.7 Starting the pump

a) Open the suction valve to full open position. It is very important to leave the suction valve open while the pump is operating. Any throttling or adjusting of flow must be done through the discharge valve. Partially closing the suction valve can create serious NPSH and pump performance problems.

b) **CAUTION** Never operate pump with both the suction and discharge valves closed. This could cause an explosion.

c) Ensure the pump is primed. (See section 5.6.)

d) All flush lines must be started and regulated.

e) Start the driver (typically, the electric motor).

f) Slowly open the discharge valve until the desired flow is reached, keeping in mind the minimum continuous flow listed in section 3.4.

g) **CAUTION** It is important that the discharge valve be opened within a short interval after starting the driver. Failure to do this could cause a dangerous build up of heat, and possibly an explosion.

5.8 Running or operation

5.8.1 Minimum continuous flow

Minimum continuous stable flow is the lowest flow at which the pump can operate and still meet the bearing life, shaft deflection and bearing housing vibration limits documented in the latest version of ASME B73.1M.

Pumps may be operated at lower flows, but it must be recognized that the pump may exceed one or more of these limits. For example, vibration may exceed the limit set by the ASME standard. The size of the pump, the energy absorbed, and the liquid pumped are some of the considerations in determining the minimum continuous flow (MCF).

The minimum continuous flow (capacity) is established as a percentage of the *best efficiency point* (BEP). (See section 3.4.2.)

5.8.2 Minimum thermal flow

All PolyChem GRP pumps also have a *minimum thermal flow*. This is defined as the minimum flow that will not cause an excessive temperature rise. Minimum thermal flow is application dependent.

CAUTION Do not operate the pump below minimum thermal flow, as this could cause an excessive temperature rise. Contact a Flowserve Sales Engineer for determination of minimum thermal flow.

Avoid running a centrifugal pump at drastically reduced capacities or with discharge valve closed for extended periods of time. This can cause severe temperature rise and the liquid in the pump may reach its boiling point. If this occurs, the mechanical seal will be exposed to vapor, with no lubrication, and may score or seize to the stationary parts. Continued running under these conditions when the suction valve is also closed can create an explosive condition due to the confined vapor at high pressure and temperature.

Thermostats may be used to safeguard against over heating by shutting down the pump at a predetermined temperature.

Safeguards should also be taken against possible operation with a closed discharge valve, such as installing a bypass back to the suction source. The size of the bypass line and the required bypass flow rate is a function of the input horsepower and the allowable temperature rise.

5.8.3 Reduced head

Note that when discharge head drops, the pump's flow rate usually increases rapidly. Check motor for temperature rise as this may cause overload. If overloading occurs, throttle the discharge.

5.8.4 Surging condition

A rapidly closing discharge valve can cause a damaging pressure surge. A dampening arrangement should be provided in the piping.

5.8.5 Operation in sub-freezing conditions

When using the pump in sub-freezing conditions where the pump is periodically idle, the pump should be properly drained or protected with thermal devices which will keep the liquid in the pump from freezing.

5.8.6 Pumps fitted with a packed gland

If the pump has a packed gland there must be some leakage from the gland. Gland nuts should initially be finger-tight only. Leakage should take place soon after the stuffing box is pressurized.



The gland must be adjusted evenly to give visible leakage and concentric alignment of the gland ring to avoid excess temperature. If no leakage takes place the packing will begin to overheat. If overheating takes place the pump should be stopped and allowed to cool before being re-started. When the pump is re-started, check to ensure leakage is taking place at the packed gland.

If hot liquids are being pumped it may be necessary to slacken the gland nuts to achieve leakage.

The pump should be run for ten minutes with steady leakage and the gland nuts tightened by 10 degrees at a time until leakage is reduced to an acceptable level, normally 30 to 120 drops per minute. Bedding in of the packing may take another 15 minutes.



Care must be taken when adjusting the gland on an operating pump. Safety gloves are essential. Loose clothing must not be worn to avoid being caught up by the pump shaft. Shaft guards must be replaced after the gland adjustment is complete.



Never run gland packing dry, even for a short time.

5.8.7 Bearing monitoring



If the pumps are working in a potentially explosive atmosphere temperature or vibration monitoring at the bearings is recommended.

If bearing temperatures are to be monitored it is essential that a benchmark temperature is recorded at the commissioning stage and after the bearing temperature has stabilized.

- Record the bearing temperature (t) and the ambient temperature (ta)
- Estimate the likely maximum ambient temperature (tb)
- Set the alarm at (t+tb-ta+5) °C ((t+tb-ta+10) °F) and the trip at 100 °C (212 °F) for oil lubrication and 105 °C (220 °F) for grease lubrication.

It is important, particularly with grease lubrication, to keep a check on bearing temperatures. After start up the temperature rise should be gradual, reaching a maximum after approximately 1.5 to 2 hours. This temperature rise should then remain constant or marginally reduce with time.

5.8.8 Normal vibration levels, alarm and trip

For guidance, pumps generally fall under a classification for rigid support machines within the International rotating machinery standards and the recommended maximum levels below are based on those standards.



Alarm and trip values for installed pumps should be based on the actual measurements (N) taken on the pump in the fully commissioned as new condition. Measuring vibration at regular intervals will then show any deterioration in pump or system operating conditions.

	Vibration velocity – unfiltered r.m.s.	Motor ≤ 15 kW mm/s (in./sec)	Motor > 15 kW mm/s (in./sec)
Normal	N	≤ 3.0 (0.12)	≤ 4.5 (0.18)
Alarm	N x 1.25	≤ 3.8 (0.15)	≤ 5.6 (0.22)
Shutdown trip	N x 2.0	≤ 6.0 (0.24)	≤ 9.0 (0.35)

5.9 Stopping and shutdown

5.9.1 Shutdown considerations

When the pump is being shut down, the procedure should be the reverse of the start-up procedure.

- Slowly close the discharge valve
- Shut down the driver, and then close the suction valve to isolate the pump if necessary.



Remember that closing the suction valve while the pump is running is a safety hazard and could seriously damage the pump and other equipment.

- Switch off flushing liquid supplies at a time appropriate to the process.



- For prolonged shut-downs and especially when ambient temperatures are likely to drop below freezing point, the pump and any and flushing arrangements must be drained or otherwise protected.

5.10 Hydraulic, mechanical and electrical duty

This product has been supplied to meet the performance specifications of your purchase order, however it is understood that during the life of the product these may change. The following notes may help the user decide how to evaluate the implications of any change. If in doubt contact your nearest Flowserve office.

5.10.1 Specific gravity (SG)

Pump capacity and total head in metres (feet) do not change with SG, however pressure displayed on a pressure gauge is directly proportional to SG. Power absorbed is also directly proportional to SG. It is therefore important to check that any change in SG will not overload the pump driver or over-pressurize the pump.

5.10.2 Viscosity

For a given flow rate the total head reduces with increased viscosity and increases with reduced viscosity. Also for a given flow rate the power absorbed increases with increased viscosity, and reduces with reduced viscosity. It is important that checks are made with your nearest Flowserve office if changes in viscosity are planned.

5.10.3 Pump speed

Changing pump speed effects flow, total head, power absorbed, NPSH_R, noise and vibration. Flow varies in direct proportion to pump speed, head varies as speed ratio squared and power varies as speed ratio cubed. The new duty, however, will also be dependent on the system curve. If increasing the speed, it is important therefore to ensure the maximum pump working pressure is not exceeded, the driver is not overloaded, NPSH_A > NPSH_R, and that noise and vibration are within local requirements and regulations.

5.10.4 Net positive suction head (NPSH)

Net positive suction head - available (NPSH_A) is the measure of the energy in a liquid above the vapor pressure. It is used to determine the likelihood that a fluid will vaporize in the pump. It is critical because a centrifugal pump is designed to pump a liquid, not a vapor. Vaporization in a pump will result in damage to the pump, deterioration of the *Total differential head* (TDH), and possibly a complete stopping of pumping.

Net positive suction head - required (NPSH_R) is the decrease of fluid energy between the inlet of the pump, and the point of lowest pressure in the pump. This decrease occurs because of friction losses and fluid accelerations in the inlet region of the pump and particularly accelerations as the fluid enters the impeller vanes. The value for NPSH_R for the specific pump purchased is given in the pump data sheet, and on the pump performance curve.

For a pump to operate properly the NPSH_A must be greater than the NPSH_R. Good practice dictates that this margin should be at least 1.5 m (5 ft) or 20%, whichever is greater.



Ensuring that NPSH_A is larger than NPSH_R by the suggested margin will greatly enhance pump performance and reliability. It will also reduce the likelihood of cavitation, which can severely damage the pump.

5.10.5 Pumped flow

Flow must not fall outside the minimum and maximum continuous safe flow shown on the pump performance curve and or data sheet.

6 MAINTENANCE

6.1 General



It is the plant operator's responsibility to ensure that all maintenance, inspection and assembly work is carried out by authorized and qualified personnel who have adequately familiarized themselves with the subject matter by studying this manual in detail. (See also section 1.6.2.)

Any work on the machine must be performed when it is at a standstill. It is imperative that the procedure for shutting down the machine is followed, as described in section 5.9.

On completion of work all guards and safety devices must be re-installed and made operative again.

Before restarting the machine, the relevant instructions listed in section 5, *Commissioning, start up, operation and shut down*, must be observed.

Oil and grease leaks may make the ground slippery. Machine maintenance must always begin and finish by cleaning the ground and the exterior of the machine.

If platforms, stairs and guard rails are required for maintenance, they must be placed for easy access to areas where maintenance and inspection are to be carried out. The positioning of these accessories must not limit access or hinder the lifting of the part to be serviced.

When air or compressed inert gas is used in the maintenance process, the operator and anyone in the vicinity must be careful and have the appropriate protection.

Do not spray air or compressed inert gas on skin.

Do not direct an air or gas jet towards other people.

Never use air or compressed inert gas to clean clothes.

Before working on the pump, take measures to prevent an uncontrolled start. Put a warning board on the starting device with the words:

"Machine under repair: do not start".

With electric drive equipment, lock the main switch open and withdraw any fuses. Put a warning board on the fuse box or main switch with the words:

"Machine under repair: do not connect".

Never clean equipment with inflammable solvents or carbon tetrachloride. Protect yourself against toxic fumes when using cleaning agents.

Refer to the parts list shown in section 8 for item number references used throughout this section.

6.2 Maintenance schedule



It is recommended that a maintenance plan and schedule is adopted, in line with these User Instructions, to include the following:

- a) Any auxiliary systems installed must be monitored, if necessary, to ensure they function correctly.
- b) Gland packings must be adjusted correctly to give visible leakage and concentric alignment of the gland follower to prevent excessive temperature of the packing or follower.
- c) Check for any leaks from gaskets and seals. The correct functioning of the shaft seal must be checked regularly.
- d) Check bearing lubricant level, and if the hours run show a lubricant change is required.
- e) Check that the duty condition is in the safe operating range for the pump.
- f) Check vibration, noise level and surface temperature at the bearings to confirm satisfactory operation.
- g) Check dirt and dust is removed from areas around close clearances, bearing housings and motors.
- h) Check coupling alignment and re-align if necessary.

Our specialist service personnel can help with preventative maintenance records and provide condition monitoring for temperature and vibration to identify the onset of potential problems.

If any problems are found the following sequence of actions should take place:

- a) Refer to section 7, *Faults; causes and remedies*, for fault diagnosis.
- b) Ensure equipment complies with the recommendations in this manual.
- c) Contact Flowserve if the problem persists.

6.2.1 Preventive maintenance

The following sections of this manual give instructions on how to perform a complete maintenance overhaul. However, it is also important to periodically repeat the *Pre start-up checks* listed in section 5.1. These checks will help extend pump life as well as the length of time between major overhauls.

6.2.2 Need for maintenance records

A procedure for keeping accurate maintenance records is a critical part of any program to improve pump reliability. There are many variables that can contribute to pump failures. Often long term and repetitive problems can only be solved by analyzing these variables through pump maintenance records.

6.2.3 Cleanliness

One of the major causes of pump failure is the presence of contaminants in the bearing housing. This contamination can be in the form of moisture, dust, dirt and other solid particles such as metal chips.

Contamination can also be harmful to the mechanical seal (especially the seal faces), as well as other parts of the pump. For example, dirt in the impeller threads could cause the impeller to not be seated properly against the shaft. This, in turn, could cause a series of other problems. For these reasons, it is very important that proper cleanliness be maintained.

Some guidelines are listed below.

- After draining the oil from the bearing housing, periodically send it out for analysis. (If it is contaminated, determine the cause and correct.)
- The work area should be clean and free from dust, dirt, oil, grease etc.
- Hands and gloves should be clean.
- Only clean towels, rags, and tools should be used.

6.3 Spare parts

The decision on what spare parts to stock varies greatly depending on many factors such as the criticality of the application, the time required to buy and receive new spares, the erosive/corrosive nature of the application, and the cost of the spare part. Section 8 identifies all of the components that make up each pump addressed in this manual.

6.3.1 Ordering of spares

Flowserve keeps records of all pumps that have been supplied. Spare parts can be ordered from your local Flowserve Sales Engineer or from a Flowserve Distributor or Representative.

When ordering spare parts the following information should be supplied:

- 1) Pump serial number.
- 2) Pump size.
- 3) Part name – taken from section 8.
- 4) Part number – taken from section 8.
- 5) Number of parts required.

The pump size and serial number can be found on the name plate located on the bearing housing. (See figure 3-1.)

To ensure continued satisfactory operation, replacement parts to the original design specification should be obtained from Flowserve. Any change to the original design specification (modification or use of a non-standard part) will invalidate the pump's safety certification.

6.3.2 Storage of spares

Spares should be stored in a clean dry area away from vibration. Inspection and re-treatment of metallic surfaces (if necessary) with preservative is recommended at 6 monthly intervals.

6.4 Recommended spares and consumable items

Recommended spares include: mechanical process fluid seals, bearing housing lip seals, bearings, shafting, impeller, and gaskets.

6.5 Tools required

A typical range of tools that will be required to maintain these pumps is listed below.

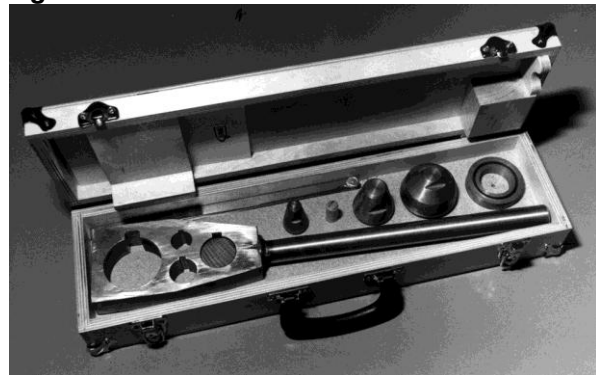
Standard hand tools:

- Hand wrenches
- Socket spanners (wrenches)
- Allen keys (wrenches)
- Range of screwdrivers
- Soft mallet

More specialized equipment:

- Bearing pullers
- Bearing induction heater
- Dial test indicator
- Flowserve Mark 3 tool kit. (See 6.1 below.)

Figure 6-1: Flowserve Mark 3 tool kit



6.6 Fastener torques

Figure 6-2: Recommended bolt torques - ISO (US)

Item	Description	Group 1 Non-lubricated	Group 2 Non-lubricated	Group 3 Non-lubricated
n/a	Suction and discharge flange bolting	41 Nm (30 lbf•ft)	41 Nm (30 lbf•ft)	41 Nm (30 lbf•ft)
[6570.2]	Bearing retainer cap screws	³ / ₁₆ in. - 6 Nm (4 lbf•ft)	³ / ₁₆ in. - 6 Nm (4 lbf•ft)	⁵ / ₁₆ in. - 16 Nm (12 lbf•ft)
[6570.6]	Bearing housing to adapter cap screws	n/a	¹ / ₂ in - 54 Nm (40 lbf•ft)	⁵ / ₈ in - 122 Nm (90 lbf•ft)
[6580.2]	Seal gland nuts	7 Nm (5 lbf•ft)	14 Nm (10 lbf•ft)	14 Nm (10 lbf•ft)
[3712.2]	Impeller nut, polygon drive	27 Nm (20 lbf•ft)	48 Nm (35 lbf•ft)	48 Nm (35 lbf•ft)
[6570.1]	Casing-to-cover bolting	14 Nm (10 lbf•ft)	14 Nm (10 lbf•ft)	14 Nm (10 lbf•ft)
[2912]	Impeller nose cone nut – non-metallic	3 Nm (2 lbf•ft)	3 Nm (2 lbf•ft)	n/a
[6570.3]	Bearing carrier set screws	³ / ₈ in. - 16 Nm (12 lbf•ft)	¹ / ₂ in. - 41 Nm (30 lbf•ft)	¹ / ₂ in. - 41 Nm (30 lbf•ft)
6570.5]	Rear foot cap screw	¹ / ₂ in. - 54 Nm (40 lbf•ft)	³ / ₄ in. - 217 Nm (160 lbf•ft)	1 in. - 300 Nm (228 lbf•ft)
[6570]	Cap screws – all other with GRP contact	20 Nm (15 lbf•ft)	20 Nm (15 lbf•ft)	20 Nm (15 lbf•ft)

Note: 1.) For lubricated threads, use 75 % of the values given.

2.) Gasket joint torque values are for Aflas or 60 - 70 durometer Viton gaskets. Other gasket materials may require additional torque to seal. Exceeding metal joint torque values is not recommended.

6.7 Setting impeller clearance

A new impeller gasket [4590] must be installed whenever the impeller has been removed from the shaft. (Impeller clearance settings are in section 5.3.)

6.7.1 Initial clearance setting for PolyChem GRP pumps

Install the impeller [2200] by screwing it onto the shaft until it firmly seats against the shaft shoulder.

CAUTION The impeller could have sharp edges which could cause an injury. It is very important to wear heavy gloves.

Tighten the impeller with the impeller wrench from the Flowserve Mark 3 tool kit. To do this, grasp the impeller in both hands and, with the impeller wrench handle to the left (viewed from the impeller end of the shaft) spin the impeller forcefully in a clockwise direction to impact the impeller wrench handle on the work surface to the right. (See figure 6-3.)

CAUTION Do not attempt to tighten the impeller on the shaft by hitting the impeller with a hammer or any other object or by inserting a pry bar between the impeller vanes. Serious damage to the impeller may result from such actions.



Figure 6-3

Now set the initial impeller clearance by loosening the set screws [6570.3] and rotating the bearing carrier [3240] to obtain the proper clearance. Turn the bearing carrier counter-clockwise to move the impeller towards the rear cover and clockwise to move it away. Use a scale, caliper, or depth gage to measure from the rear cover to the impeller as shown in figure 5-12. Refer to the charted values in figure 5-13 for the proper initial impeller clearance as shown in figure 5-12. Rotating the bearing carrier the width of one of the indicator patterns cast into the bearing carrier moves the impeller axially 0.1 mm (0.004 in.). (See figure 6-5.)

Tightening the set screws [6570.3] will cause the impeller to move 0.05 mm (0.002 in.) closer to the rear cover because of the internal looseness in the bearing carrier threads. This must be considered when setting the impeller clearance.

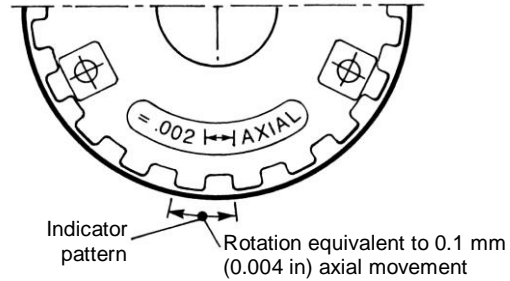


Figure 6-5

Note: Lastly, uniformly tighten the set screws [6570.3] in incremental steps up to the final torque value to lock the bearing carrier in place.

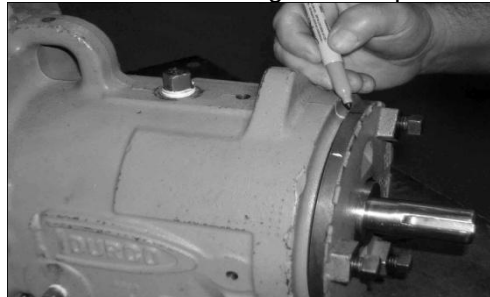


Figure 6-6

Example: First, measure the initial distance “X” as shown in figure 5-12. To determine the number of indicator patterns that you will need to rotate the carrier, divide 0.10 (for mm or 0.004 for in.) into the desired setting. Flowserve suggests that a felt tip pen be used to mark an initial reference point on the bearing housing and the bearing carrier as shown in figure 6-6.

Then make a second mark on the bearing carrier the required number of indicator patterns from the initial reference point. Rotate the bearing carrier until the second mark on the bearing carrier lines up with the initial reference point mark on the bearing housing. Tighten the set screws [6570.3] in incremental steps to lock the bearing carrier in place. The impeller is now set relatively close to its final location. The seal can now be set.

6.7.2 Final clearance setting

Like all front vane semi-open style impellers, the final PGRP open impeller clearance must be set off the casing. The casing must be installed to accurately set the impeller clearance.

Attach the power end/rear cover/impeller assembly to the casing. Now set the impeller clearance by loosening the set screws [6570.3] and rotating the bearing carrier [3240] to obtain the proper clearance. Turn the bearing carrier clockwise until the impeller comes into light rubbing contact with the casing. Rotating the shaft at the same time will accurately determine this zero setting.

Now, rotate the bearing carrier counter-clockwise to get the proper clearance. Refer to figure 5-11 for the proper impeller clearance. Rotating the bearing carrier the width of one of the indicator patterns cast into the bearing carrier moves the impeller axially 0.1 mm (0.004 in.). (See figure 6-5.)

Determine how far to rotate the bearing carrier by dividing the desired impeller clearance by 0.1 mm (0.004 in.) (one indicator pattern). Tightening the set screws [6570.3] will cause the impeller to move 0.05 mm (0.002 in.) away from the casing because of the internal looseness in the bearing carrier threads. This must be considered when setting the impeller clearance. Rotate the bearing carrier counter-clockwise the required amount to get the desired clearance to the casing.

Note: Lastly, uniformly tighten the set screws [6570.3] in incremental steps up to the final torque value to lock the bearing carrier in place.

See section 5.3 for impeller clearance settings.

6.8 Disassembly

6.8.1 Power end removal

- a) Before performing any maintenance, disconnect the driver from its power supply and lock it off line.

Lock out power to driver to prevent personal injury.

- b) Close the discharge and suction valves, and drain all liquid from the pump.
- c) Close all valves on auxiliary equipment and piping, then disconnect all auxiliary piping.
- d) Decontaminate the pump as necessary.

If Flowserve PolyChem pumps contain dangerous chemicals, it is important to follow plant safety guidelines to avoid personal injury or death.

- e) Remove the coupling guard. (See section 5.5.)
- f) Remove the spacer from the coupling.
- g) Remove casing fasteners [6570.1].
- h) Remove the fasteners holding the bearing housing foot to the baseplate.
- i) Move the power end, rear cover, and impeller assembly away from the casing. Discard the casing/cover O-ring [4610.1].

The power end and rear cover assembly is heavy. It is important to follow plant safety guidelines when lifting it.

Figure 6-7

Pump size	Impeller fixing
1J1.5 x 1G - 6	Polygon
1J3 x 1.5G - 6	Threaded
1J3 x 2G - 6K	Polygon
1K3 x 2GS - 7	Threaded
1J1.5 x 1G - 8	Polygon
2K3 x 1.5G - 8	Polygon
2K3 x 2G - 8	Threaded
2K4 x 3G - 8	Polygon
2K2 x 1G - 10	Threaded
2K3 x 1.5G - 10	Polygon
2K4 x 3G - 10	Polygon
2K6 x 4G - 10	Polygon
2K3 x 1.5G - 13	Threaded
2K4 x 3G - 13	Threaded
3J8 x 6G - 13	Threaded
3J12 x 10G - 15	Threaded
4J12 x 10G - 15B	Threaded

6.8.2 Impeller removal

- a) Remove the coupling hub from the pump shaft [2100].

Do not apply heat to the impeller. If liquid is entrapped in the hub, an explosion could occur.

- b) Threaded impellers. (See figure 6-7 and 6-8.) Use a shaft key [6700] and mount the impeller wrench from the Flowserve Mark 3 tool kit (figure 6-1) to the end of the shaft. With the wrench handle pointing to the left when viewed from the impeller end, grasp the impeller [2200] firmly with both hands (wear heavy gloves). By turning the impeller in the clockwise direction move the wrench handle to the 11:00 o'clock position and then spin the impeller quickly in a counter-clockwise direction so that the wrench makes a sudden impact with a hard surface on the bench. After several sharp raps, the impeller should be free. Unscrew the impeller and remove from the shaft. Discard the impeller-to-sleeve gasket [4590.3].
- c) Polygon drive impellers. (See figure 6-7.) Unscrew impeller nose cone nut [2912] and remove impeller nose cone nut gasket [4590.4].
- d) Unscrew impeller stud [2913.1] on Group 1 units, or impeller locknut [3712.2] and washer [6541.6] on Group 2 units.
- e) Rotate the bearing carrier [3240] counter clockwise until the impeller makes contact with the rear cover [1220]. Further rotation will completely loosen the impeller from the shaft [2100].
- f) Remove the impeller-to-sleeve gasket [4590.3].
- g) If a cartridge type mechanical seal [153] is used (see figure 6-9), the spacing clips or tabs should be installed prior to loosening the set screws which attach the seal to the shaft and before removing it from the cover. This will ensure that the proper seal compression is maintained.

- h) Remove the seal or packing gland nuts [6580.2] if so equipped.



Figure 6-8

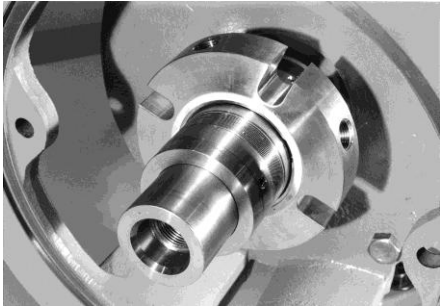


Figure 6-9

6.8.3 Removing the rear cover and seal

- a) Remove the cover bolts [6570.4] and lockwashers [6541.3] from the bearing housing [3200] (on Group 1 units) or support head [1340] and remove the cover. Sizes 2K3x1.5G-10, 2K4x3G-10 and 2K6x4G-10 do not have bolts so remove the nuts and eccentric washers instead, but there is no need to remove the studs. (See figure 6-10.)

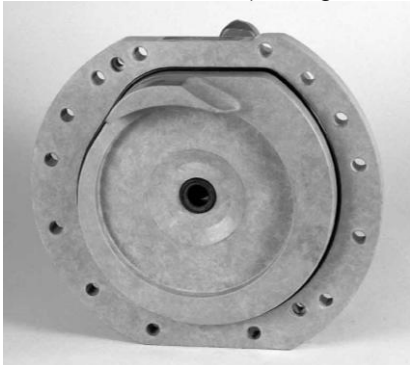


Figure 6-10

- b) Remove the shaft sleeve [2400], gland [4120], and seal [4200].
 c) Remove cover nose gasket [4590.1] (or gland to cover gasket on Group 3) together with the gland [4120] and sleeve-to-shaft O-ring [4610.4] (Groups 1 and 2).
 d) If a component type inside mechanical seal [153] is used, loosen the set screws on the rotating unit and remove it from the shaft (see figure 6-11). Then pull the gland [4120] and stationary seat off the shaft. Remove the stationary seat from the gland. Discard all O-rings and gaskets.



Figure 6-11

- e) If a component type outside mechanical seal is used, remove the gland and the stationary seat. Remove the stationary seat from the gland. Loosen the set screws in the rotating unit and remove it from the shaft. Discard all O-rings and gaskets.
 f) If packing [4130] is used, remove it and the seal cage [4134]. Remove the gland [4120].
 g) The shaft sleeve [2400] can now be removed. Unit now appears as shown in figure 6-12.



Figure 6-12

6.8.4 Power end disassembly

- a) If the power end is oil lubricated, remove the drain plug [6569] and drain the oil from the bearing housing [3200].
 b) If the pump has lip seals, a deflector [2540] may be present. Slide it off the shaft.
 c) Loosen the three set screws [6570.3] on the bearing carrier [3240]. The bearing carrier must be completely unscrewed from the bearing housing.

Note:

Do not pry against the shaft.

Mark 3A and ANSI 3A design. The face of the bearing carrier has three square lugs that protrude from the surface. The bearing carrier is turned by using an open end wrench on one of the square lugs as shown in figure 6-13. Because the O-rings [4610.2] will cause some resistance in removing the bearing carrier assembly from the housing, hold the bearing carrier flange firmly and with slight rotation, pull it out of the bearing housing. The bearing carrier assembly with the shaft and bearings should come free.

This unit will appear as shown in figure 6-14. Further disassembly is not required unless the bearings are to be replaced.

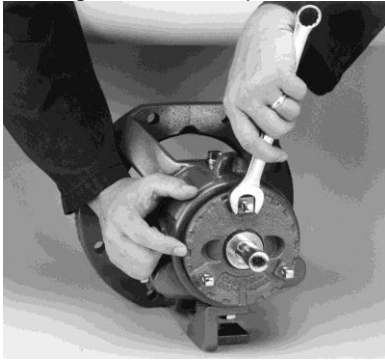


Figure 6-13

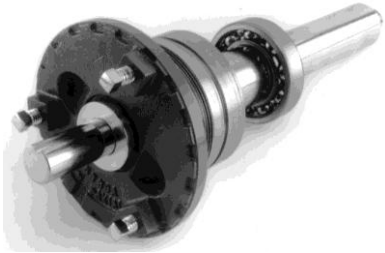


Figure 6-14

- d) Remove the snap ring [2530.1] (figure 6-15) on Group 1 and 2 pumps, or the bearing retainer [2530.2] on Group 3 pumps.



Figure 6-15

Note:

Group 1 and 2 pumps equipped with duplex angular contact bearings use a bearing retainer [2530.2] instead of the snap ring. Remove the carrier from the bearing.

- e) The bearing locknut [3712.1] and lockwasher [6541.1] may now be removed from the shaft [2100]. Discard the lockwasher.
- f) An arbor or hydraulic press may be used to remove the bearings [3011 and 3013] from the shaft. It is extremely important to apply even pressure to the inner bearing race only. Never apply pressure to the outer race as this exerts excess load on the balls and causes damage.
- g) The Mark 3A design has an optional oil slinger [2541] located between the bearings. If present, inspect it for damage or looseness. Remove if it needs to be replaced.

CAUTION

Applying pressure to the outer race could permanently damage the bearings.

- h) On Group 2 and 3 pumps, the bearing housing [3200] must be separated from the bearing housing adapter [1340]. The adapter O-ring [4610.3] should be discarded. *Mark 3A and ANSI 3A design.* This is accomplished by removing the cap screws [6570.6], which thread into the bearing housing.
- i) If lip seals [4310.1 and 4310.2] (figure 6-16) are used, they should be removed from the bearing carrier and adapter and discarded.

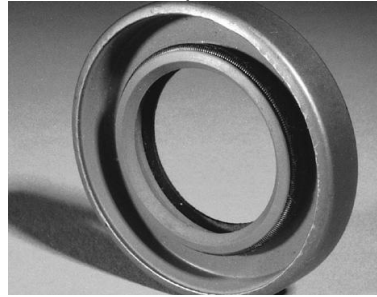


Figure 6-16

- j) If the bearing isolators are removed from either the bearing carrier or adapter they must not be reused, discard appropriately.
- k) If magnetic seals are used, maintain the seals as specified by the manufacturer.
- l) Remove site gage, oil level tag and oiler (if used). *Mark 3A design.* Remove the Trico oiler/site gage [3855] (figure 6-17) and oil level tag (figure 6-18) from the bearing housing. *ANSI 3A design.* Remove the site gage [3856] (figure 5-1) and oil level tag (figure 6-18) from the bearing housing. Save these parts for reuse.



Figure 6-17



Figure 6-18

6.9 Examination of parts

6.9.1 Cleaning/inspection

All parts should now be thoroughly cleaned and inspected. New bearings, O-rings, gaskets, and lip seals should be used. Any parts that show wear or corrosion should be replaced with new genuine Flowserve parts.



It is important that only non-flammable, non-contaminated cleaning fluids are used. These fluids must comply with plant safety and environmental guidelines. Aggressive solvents may damage the GRP material.

6.9.2 Critical measurements and tolerances

To maximize reliability of pumps, it is important that certain parameters and dimensions are measured and maintained within specified tolerances. It is important that all parts be checked. Any parts that do not conform to the specifications should be replaced with new Flowserve parts.

6.9.3 Parameters that should be checked by users

Flowserve recommends that the user check the measurements and tolerances in figure 6-19 whenever pump maintenance is performed. Each of these measurements is described in more detail on the following pages.

6.9.4 Additional parameters checked by Flowserve

The parameters listed below are somewhat more difficult to measure and or may require specialized equipment. For this reason, they are not typically checked by our customers, although they are monitored by Flowserve during the manufacturing and or design process.

6.9.4.1 Shaft and sleeve (if fitted)

Replace if grooved, pitted or worn. Prior to mounting bearings or installing the shaft into the bearing housing, check the following parameters.

Diameter/tolerance, under bearings

In order to ensure proper fit between the shaft and bearings, verify that both the inboard (IB) and outboard (OB) shaft diameter is consistently within the minimum/maximum values shown in figure 6-20. A micrometer should be used to check these outside diameter (OD) dimensions on the shaft.

6.9.4.2 Bearings

It is recommended that bearings not be re-used after removal from the shaft. Prior to mounting bearings, check the following parameters.

Figure 6-19

Topic	ASME B73.5M Standard mm (in.)	Suggested by major seal vendors mm (in.)	Suggested and or provided by Flowserve mm (in.)
Shaft Diameter tolerance, under bearings	N.S.		0.005 (0.0002)
Impeller Balance		See note 1	
Bearing housing Diameter (ID) tolerance at bearings	N.S.		0.013 (0.0005)
Power end assembly Shaft runout Shaft sleeve runout Radial deflection - static Shaft endplay	0.05 (0.002) 0.05 (0.002) N.S. N.S.	0.03 (0.001) 0.05 (0.002) 0.076 (0.003) 0.05 (0.002)	 0.05 (0.002) 0.05 (0.002) 0.05 (0.002)
Seal chamber Face squareness to shaft Register concentricity	0.08 (0.003)	0.03 (0.001) 0.13 (0.005)	0.08 (0.003) 0.13 (0.005)
Complete pump Shaft movement caused by pipe strain Alignment Vibration at bearing housing	N.S. N.S. See note3	0.05 (0.002)	0.05 (0.002) See note 2 See note 3

N.S. = not specified.

Notes.

- The maximum values of acceptable unbalance are:
1 500 r/min: 40 g•mm/kg (1 800 r/min: 0.021 oz•in./lb.) of mass.
2 900 r/min: 20 g•mm/kg (3 600 r/min: 0.011 oz•in./lb.) of mass.
The PolyChem GRP impellers conform to the ISO 1940 Grade 6.3 tolerance criteria as molded and do not require balancing.
- The ASME B73.5M standard does not specify a recommended level of alignment. Flowserve recommends that the pump and motor shafts be aligned to within 0.05 mm (0.002 in.) parallel FIM (full indicator movement) and 0.0005 mm/mm (0.0005 in./in.) angular FIM. Closer alignment will extend MTBPM. For a detailed discussion of this subject see the *Alignment* section of this manual.
- The ASME B73.5M, paragraph 5.1.3.

Figure 6-20

		Group 1	Group 2	Group 3
OB bearing/ shaft mm (in.)	Bearing	30.000/29.990 (1.1811/1.1807)	50.000/49.987 (1.9685/1.9680)	70.000/69.985 (2.7559/2.7553)
	Shaft	30.013/30.003 (1.1816/1.1812)	50.013/50.003 (1.9690/1.9686)	70.015/70.002 (2.7565/2.7560)
	Fit	0.023T/0.003T (0.0009T/0.0001T)	0.026T/0.003T (0.0010T/0.0001T)	0.030T/0.002T (0.0012T/0.0001T)
IB bearing/ shaft mm (in.)	Bearing	35.000/34.989 (1.3780/1.3775)	50.000/49.987 (1.9685/1.9680)	70.000/69.985 (2.7559/2.7553)
	Shaft	35.014/35.004 (1.3785/1.3781)	50.013/50.003 (1.9690/1.9686)	70.015/70.002 (2.7565/2.7560)
	Fit	0.025T/0.004T (0.0010T/0.0001T)	0.026T/0.003T (0.0010T/0.0001T)	0.030T/0.002T (0.0012T/0.0001T)

Diameter/tolerance, inside diameter

In order to ensure proper fit between bearings and the shaft, verify that the inside diameter (ID) of both the IB and OB bearing are consistently within the minimum/maximum values shown in figure 6-20. An inside caliper should be used to check these ID diameters on the bearings.

Diameter/tolerance, outside diameter

In order to ensure proper fit between bearings and the bearing housing, verify that the OD on both the IB and OB bearings are consistently within the minimum/maximum values shown in figure 6-21. A micrometer should be used to check these outside diameter (OD) dimensions on the bearings.

6.9.4.3 Impeller balancing

Shaft whip is deflection where the centerline of the impeller is moving around the true axis of the pump. It is not caused by hydraulic force but rather by an imbalance with the rotating element. Shaft whip is very hard on the mechanical seal because the faces must flex with each revolution in order to maintain contact. To minimize shaft whip it is imperative that the impeller is balanced. All impellers manufactured by Flowserve are balanced after they are trimmed. If for any reason, a customer trims an impeller, it must be re-balanced. See note 1 under figure 6-19 regarding acceptance criteria.

6.9.4.4 Bearing housing and carrier

Prior to installing the shaft into the bearing housing, check the following parameters.

Diameter/tolerance, at bearing surface

In order to ensure proper fit between the bearing housing/carrier and the bearings, verify that the ID of both the IB and OB bearing surfaces are consistently within the minimum/maximum values shown in figure 6-21. An inside caliper should be used to check these ID dimensions in the bearing housing.

6.9.4.5 Power end

Assembled bearing housing, carrier, bearings, and shaft.

Shaft and shaft sleeve run-out

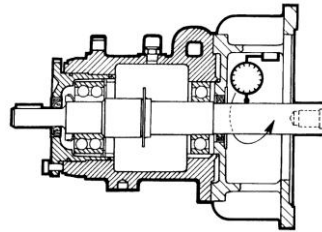
Shaft run-out is the amount the shaft is “out of true” when rotated in the pump. It is measured by attaching a dial indicator to a stationary part of the pump so that its contact point indicates the radial movement of the shaft surface as the shaft is rotated slowly. If a shaft sleeve is used then shaft sleeve run-out must be checked. It is analogous to shaft run-out. Measurement of shaft run-out/ shaft sleeve run-out will disclose any out of roundness of the shaft, any eccentricity between the shaft and the sleeve, any permanent bend in the shaft, and or any eccentricity in the way the shaft or bearings are mounted in the bearing housing.

Shaft run-out can shorten the life of the bearings and the mechanical seal.

Figure 6-21

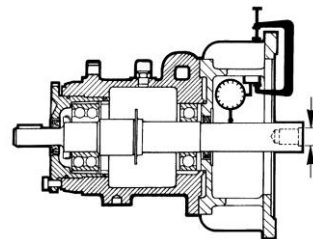
		Group 1	Group 2	Group 3
OB bearing/ carrier mm (in.)	Bearing	71.999/71.986 (2.8346/2.8341)	110.000/109.985 (4.3307/4.3301)	150.000/149.979 (5.9055/5.9047)
	Carrier	71.999/72.017 (2.8346/2.8353)	110.007/110.022 (4.3310/4.3316)	150.002/150.030 (5.9056/5.9067)
	Fit	0.031L/0.000L (0.0012L/0.0000L)	0.037L/0.007L (0.0015/0.0003L)	0.051L/0.002L (0.0020L/0.0001L)
IB bearing/ housing mm (in.)	Bearing	71.999/71.986 (2.8346/2.8341)	110.000/109.985 (4.3307/4.3301)	150.000/149.979 (5.9055/5.9047)
	Housing	71.999/72.017 (2.8346/2.8353)	110.007/110.022 (4.3310/4.3316)	150.007/150.025 (5.9058/5.9065)
	Fit	0.031L/0.000L (0.0012L/0.0000L)	0.037L/0.007L (0.0015L/0.0003L)	0.046L/0.007L (0.0018L/0.0003L)

The following diagram shows how to measure shaft/shaft sleeve run-out. Note that both ends need to be checked. The run-out should be 0.025 mm (0.001 in.) FIM or less.



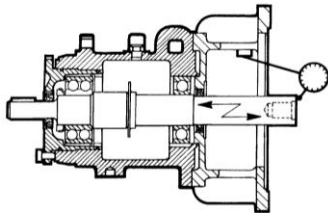
Radial deflection - static

Radial movement of the shaft can be caused by a loose fit between the shaft and the bearing and/or the bearing and the housing. This movement is measured by attempting to displace the shaft vertically by applying an upward force of approximately 4.5 kg (10 lb) to the impeller end of the shaft. While applying this force, the movement of an indicator is observed as shown in the following diagram. The movement should be checked at a point as near as possible to the location of the seal faces. A movement of more than 0.05 mm (0.002 in.) is not acceptable.



Shaft endplay

The maximum amount of axial shaft movement, or endplay, on a Durco pump should be 0.03 mm (0.001 in.) and is measured as shown below. Observe indicator movement while tapping the shaft from each end in turn with a soft mallet. Shaft endplay can cause several problems. It can cause fretting or wear at the point of contact between the shaft and the secondary sealing element. It can also cause seal overloading or underloading and possibly chipping of the seal faces. It can also cause the faces to separate if significant axial vibration occurs.



Endplay

6.9.4.6 Seal chamber

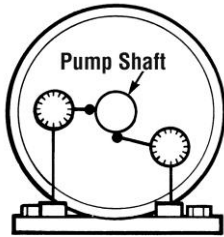
Assembled power end and rear cover are checked for face squareness to shaft and register concentricity as in figure 6-19.

6.9.4.7 Installed pump

Measurements with the complete pump installed.

Shaft movement caused by pipe strain

Pipe strain is any force put on the pump casing by the piping. Pipe strain should be measured as shown below. Install the indicators as shown before attaching the piping to the pump. The suction and discharge flanges should now be bolted to the piping separately while continuously observing the indicators. Indicator movement should not exceed 0.05 mm (0.002 in.).



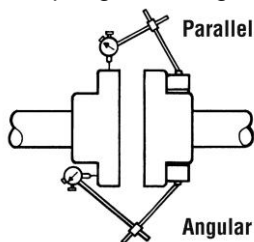
Pipe strain movement

Alignment

Misalignment of the pump and motor shafts can cause the following problems:

- Failure of the mechanical seal
- Failure of the motor and/or pump bearings
- Failure of the coupling
- Excessive vibration/noise

The schematics below show the technique for a typical rim and face alignment using a dial indicator. It is important that this alignment be done after the flanges are loaded, and at typical operating temperatures. If proper alignment cannot be maintained a C-flange motor adapter and or stilt/spring mounting should be considered.



Alignment

Many companies today are using laser alignment which is a more sophisticated and accurate technique. This method uses a laser and sensor to measure misalignment. This is fed to a computer with a graphic display that shows the required adjustment side-to-side and shim stock for each of the motor feet to achieve near-perfect alignment.

See section 4.8 for recommended final shaft alignment limits.

Vibration analysis

Vibration analysis is a type of condition monitoring where a pump’s vibration “signature” is monitored on a regular, periodic basis. The primary goal of vibration analysis is extension on MTBPM. By using this tool Flowserve can often determine not only the existence of a problem before it becomes serious, but also the root cause and possible solution.

Modern vibration analysis equipment not only detects if a vibration problem exists, but can also suggest the cause of the problem. On a centrifugal pump, these causes can include the following: unbalance, misalignment, defective bearings, resonance, hydraulic forces, cavitation and recirculation. Once identified, the problem can be corrected, leading to increased MTBPM for the pump.

Flowserve does not make vibration analysis equipment, however Flowserve strongly urges customers to work with an equipment supplier or consultant to establish an on-going vibration analysis program. See note 3 under figure 6-19 regarding acceptance criteria.

6.10 Assembly of pump and seal



It is important that all pipe threads be sealed properly. PTFE tape provides a very reliable seal over a wide range of fluids, but it has a serious shortcoming if not installed properly. If, during application to the threads, the tape is wrapped over the end of the male thread, strings of the tape will be formed off when threaded into the female fitting. These strings can then tear away and lodge in the piping system.

If this occurs in the seal flush system, small orifices can become blocked effectively shutting off flow. For this reason, Flowserve does not recommend the use of PTFE tape as a thread sealant. Flowserve has investigated and tested alternate sealants and has identified two that provide an effective seal, have the same chemical resistance as the tape, and will not plug flush systems. These are La-co Slic-Tite and Bakerseal.

Both products contain finely ground PTFE particles in an oil based carrier. They are supplied in a paste form which is brushed onto the male pipe threads. Flowserve recommends using one of these paste sealants. Full thread length engagement is required for all fasteners.

Note: Refer to figure 6-2 for recommended bolt torques.

6.10.1 Power end assembly

The Mark 3A design has an optional oil slinger. If the slinger was removed during disassembly, install a new slinger [2541]. (See figure 6-22.)

6.10.1.1 Bearing installation

Mounting of bearings on shafts must be done in a clean environment. Bearing and power end life can be drastically reduced if even very small foreign particles work their way into the bearings. Wear clean gloves.

Bearings should be removed from their protective packaging only immediately before assembly to limit exposure to possible contamination. After removing the packaging they should only come in contact with clean hands, fixtures, tools and work surfaces.

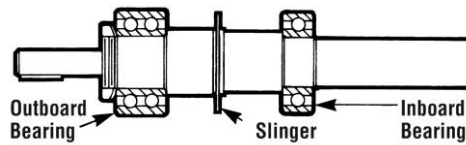


Figure 6-22

The chart shown in figure 6-23 gives the SKF part numbers for bearings in Flowserve Mark 3 pumps. Note that the term “inboard bearing” refers to the bearing nearest to the casing. “Outboard bearing” refers to the bearing nearest to the motor. (See figure 6-22.)

Figure 6-23: Flowserve Mark 3 bearings

Group	Type of bearing	Inboard single row, deep groove ⁵	Outboard double row, angular contact, deep groove ^{5 & 9}	Optional outboard duplex angular contact ⁵
1	Oil bath/mist - open ¹	6207-C3	5306-AC3 or 3306-AC3	7306-BECBY
	Regreasable - single shielded ²	6207-ZC3	5306-AZC3 or 3306-AZC3	NA ⁶
	Greased for life - double shielded ³	6207-Z2C3	5306-A2ZC3 or 3306-A2ZC3	NA ⁷
	Sealed for life - double sealed ⁴	6207-2RS1C3	5306-A2RSC3 or 3306-A2RS1C3	NA ⁷
2	Oil bath/mist - open ¹	6310-C3	5310-AC3 (AHC3) or 3310-AC3	7310-BECBY
	Regreasable - single shielded ²	6310-ZC3	5310-AZC3 or 3310-AZC3	NA ⁶
	Greased for life - double shielded ³	6310-Z2C3	5310-A2ZC3 or 3310-A2ZC3	NA ⁷
	Sealed for life - double sealed ⁴	6310-2RS1C3	5310-A2RSC3 or 3310-A2RS1C3	NA ⁷
3	Oil bath/mist - open ¹	6314-C3	5314-AC3 or 3314-AC3	7314-BECBY
	Regreasable - single shielded ²	6314-ZC3	5314-AZC3 or 3314-AZC3	NA ⁶
	Greased for life - double shielded ³	6314-Z2C3	5314-A2ZC3 or 3314-A2ZC3	NA ⁷
	Sealed for life - double sealed ⁴	6314-2RS1C3	5314-A2RSC3 or 3314-A2RS1C3	NA ⁷

Notes:

- 1) These bearings are open on both sides. They are lubricated by oil bath or oil mist.
- 2) These bearings are pre-greased by Flowserve. Replacement bearings will generally not be pre-greased, so grease must be applied by the user. They have a single shield, which is located on the side next to the grease buffer, or reservoir. The bearings draw grease from the reservoir as it is needed. The shield protects the bearing from getting too much grease, which would generate heat. The grease reservoir is initially filled with grease by Flowserve. Lubrication fittings are provided, to allow the customer to periodically replenish the grease, as recommended by the bearing and/or grease manufacturer.
- 3) These bearings are shielded on both sides. They come pre-greased by the bearing manufacturer. The user does not need to regrease these bearings. The shields do not actually contact the bearing race, so no heat is generated.
- 4) These bearings are sealed on both sides. They come pre-greased by the bearing manufacturer. The user does not need to regrease these bearings. The seals physically contact and rub against the bearing race, which generates heat. These bearings are not recommended at speeds above 1 750r/min.
- 5) The codes shown are SKF codes. Inboard and outboard bearings have the C3, greater than “Normal” clearance. These clearances are recommended by SKF to maximize bearing life.
- 6) Regreasable - single shielded bearings are not available in the duplex configuration; however, open oil bath-type bearings can be used for the regreasable configuration. These bearings must be pre-greased during assembly. Lubrication fittings are provided, to allow the user to periodically replenish the grease, as recommended by the bearing and/or grease manufacturer.
- 7) Not available.
- 8) All bearing configurations are supplied only with steel cages
- 9) SKF - the 5300 and 3300 bearing series are identical and therefore can be used interchangeably.

CAUTION Both bearings have a slight interference fit which requires that they be pressed on the shaft with an arbor or hydraulic press. Figure 6-20 identifies the bearing fits. Even force should be applied to only the inner race. Never press on the outer race, as the force will damage the balls and races.

An alternate method of installing bearings is to heat the bearings to 93 °C (200 °F) by means of an oven or induction heater. With this approach the bearing must be quickly positioned on the shaft. Never heat the bearings above 110 °C (230 °F). To do so will likely cause the bearing fits to permanently change, leading to early failure.

- a) Install the inboard bearing [3011] on the shaft [2100] against the shoulder as shown in figure 6-22. If the power end is equipped with single shielded regreasable bearings. (See figure 5-8 for proper orientation of the shields.)
- b) Install the outboard bearing retaining device onto the shaft.

Double row bearings. Place the snap ring [2530.1] onto the outboard end of the shaft and slide down to the inboard bearing. Note, the proper orientation of the snap ring must be assured in this step. The flat side of the snap ring must face away from the inboard bearing.
Duplex angular contact bearings. Place the bearing retainer [2530.2] onto the outboard end of the shaft and slide down to the inboard bearing.

Note: The proper orientation of the bearing retainer must be assured in this step. The small side of the retainer must face away from the inboard bearing.

- c) Install the outboard bearing.
Double row bearings. Install the outboard bearing [3013] firmly against the shoulder as shown in Figure 6-22. If hot bearing mounting techniques are used, steps must be taken to ensure the outboard bearing is firmly positioned against the shaft shoulder. The outboard bearing, while still hot, is to be positioned against the shaft shoulder.
Duplex angular contact bearings. Duplex angular contact bearings must be mounted back-to-back with the wider thrust sides of the outer races in contact with each other as shown in figure 6-24. Only bearings designed for universal mounting should be used. SKF's designation is "BECB". NTN's designation is "G".

Note: A special shaft is required when using duplex angular contact bearings.)

CAUTION It must be understood that fixtures and equipment used to press the bearing must be designed so no load is ever transmitted through the bearing balls. This would damage the bearing.

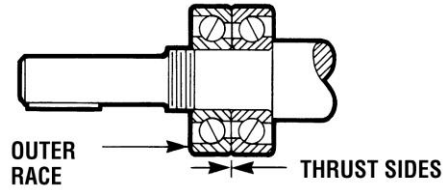


Figure 6-24

- d) After the bearing has cooled below 38 °C (100 °F) the bearing should be pressed against the shaft shoulder. Figure 6-25 identifies the approximate force needed to seat the bearing against the shaft shoulder. If a press is not available the locknut [3712.1] should be installed immediately after the bearing is placed on the shaft and tightened to ensure the bearing remains in contact with the shaft shoulder. The locknut should then be retightened repeatedly during the time the bearing is cooling. Once cool the locknut should be removed.

Figure 6-25

Pump	Press force N (lbf)	Locknut torque Nm (lbf-ft)
Group 1	5 780 (1 300)	27 +4/-0 (20 +5/-0)
Group 2	11 100 (2 500)	54 +7/-0 (40 +5/-0)
Group 3	20 000 (4 500)	95 +7/-0 (70 +5/-0)

- e) Install lockwasher [6541.1] and locknut [3712.1]. The locknut should be torqued to the value shown in figure 6-26. One tang on the lockwasher must be bent into a corresponding groove on the locknut.

6.10.1.2 Bearing housing seals

6.10.1.2a Lip seals.

If lip seals were used (see figure 6-16), install new lip seals in the bearing carrier [3240] and the housing [3200 - Group 1] or the adapter [1340 - Group 2 and 3]. The lip seals [4310.1 and 4310.2] are double lip style, the cavity between these two lips should be 1/2 to 2/3 filled with grease. When installing this part, the large metal face on the lip seal must face away from the bearings.

6.10.1.2b Labyrinth seals.

The following are general installation instructions regarding the VBXX Inpro seal. Follow the instructions provided with the seal by the manufacturer.

The elastomer O-ring located on the OD of the seal has been sized to overfill the groove in which it is located. When installing the seal into its corresponding housing, in addition to compressing the O-ring a certain amount of material may shear off. This sheared material should be removed. An arbor press should be used to install the seal.

Install the inboard seal in the bore of the bearing housing (Group 1) or adapter (Group 2 and Group 3) with the single expulsion port positioned at the 6 o'clock position.

Install the outboard seal in the bore of the bearing carrier. There are no orientation issues since this is a multiport design seal.

6.10.1.2c Magnetic seals

Follow the installation instructions provided by the manufacturer.

6.10.1.3 Bearing carrier/power end assembly

- a) Install new O-rings [4610.2] onto the bearing carrier. Slide the bearing carrier [3240] over the outboard bearing [3013].
- b) Install the outboard bearing retaining device. Double row bearings on Group 1 and 2 pumps. Slide the snap ring [2530.1] in place with its flat side against the outboard bearing and snap it into its groove in the bearing carrier. Duplex angular contact bearings on Group 1 and 2 pumps and all bearings on Group 3 pumps. Slide the bearing retainer [2530.2] against the outboard bearing and install and tighten the socket head capscrews [6570.2]. (See figure 6-2 for correct torque values.)



Never compress the snap ring unless it is positioned around the shaft and between the bearings. In this configuration, it is contained therefore if it should slip off the compression tool it is unlikely to cause serious injury.

- c) The shaft, bearings, and bearing carrier assembly (figure 6-14) can now be installed into the bearing housing [3200]. The bearing carrier [3240] should be lubricated with oil on the O-rings and threads before installing the assembly into the bearing housing. Thread the bearing carrier into the bearing housing by turning it clockwise to engage the threads. Thread the carrier onto the housing until the carrier flange is approximately 3mm (1/8 in.) from the housing. Install the set screws [6570.3] loosely.

- d) Reinstall any tags, plugs, site gages and oiler. Mark 3A design. Install the following items onto the bearing housing; oil level tag (figure 6-18) and combination Trico oiler/site gage [3855], vent/breather [6521] and drain plug [6569]. ANSI 3A design. Install the following items onto the bearing housing; oil level tag (figure 6-18) and site gage [3855], plug [6521] and magnetic drain plug [6559].
- e) On Group 2 and 3 pumps, assemble the bearing housing adapter [1340] to the bearing housing [3200]. Be sure to install a new O-ring [4610.3]. Mark 3A and ANSI 3A design. Thread the capscrews [6570.6] through the adapter and into the tapped holes in the bearing housing.
- f) If the power end used lip seals, install the flinger (deflector) [2540] onto the shaft [2100].
- g) Slide the sleeve [2400] onto the shaft ensuring that the flinger o-ring and flinger slip under the end of the sleeve.

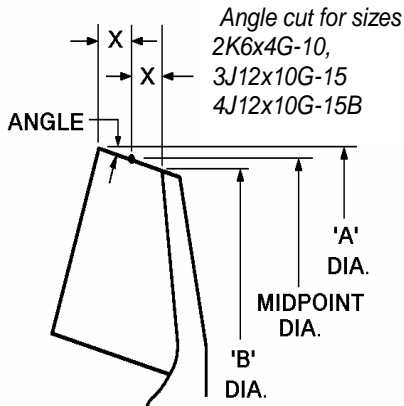
6.10.2 Seal and rear cover assembly

- a) With an external seal slide the rotating part of the seal over the sleeve but do not tighten the setscrews at this time.
- b) Position the seat to gland gasket [4590.2] and seal seat into the gland [4120] and slide this assembly over the sleeve.
- c) With a cartridge seal, slide the seal over the sleeve, but do not tighten the setscrews at this time.
- d) For non-cartridge internal seals, install the stationary seal face and its gasket or O-ring into the gland.
- e) Place the cover nose gasket into the gland (or the cover to gland gasket on Groups 3 and 4) and slide them all over the sleeve.
- f) With an internal seal, position the rotating portion of the seal on the sleeve as shown on the seal drawing provided, or as marked on the sleeve during disassembly. It may be necessary to assemble the pump to the impeller clearance setting stage to properly locate the shaft (if the rotor has been moved). Mark the end of the box on the shaft and then disassemble the pump back to this stage. This is because seal setting is measured from the end of the box.
- g) If they were removed, assemble the gland studs [6572] into the cover [1220], replace the box extension onto the cover and slide the gland over the sleeve.
- h) Assemble the cover onto the bearing housing [3200] on Group 1 or support head [1340] using bolts [6570.4] and lockwashers [6541.3] and torque up to 20 Nm (15 lbf•ft). (For 2K3x1.5G-10, 2K4x3G-10 and 2K6x4G-10 units use eccentric washers and nuts instead.)

6.10.3 Impeller assembly

If a new impeller of maximum diameter has been acquired and needs reducing, or if the existing impeller diameter needs reducing, they must both be machined down to the correct size. It is preferred to send the impeller to your Flowserve representative for machining, but when this is not possible, the following procedure can be used:

- Obtain the correct machining mandrel from your Flowserve representative or use the pump shaft and impeller bolting.
- Carefully mount the mandrel or shaft in a lathe suitable for machining GRP.
- Mount the impeller and, using a dial indicator, verify the outer diameter run-out and impeller face run-out (on the vanes at the outer diameter) are each less than 0.13 mm (0.005 in.) TIR.
- Prepare to machine. All impellers are machined straight across, parallel to the shaft except sizes 2K6x4G-10, 3J12x10G-15 and 4J12x10G-15B which have angled cuts. The 2K6x4G-10 vanes are machined at an angle of 15 degrees to the shaft axis whilst the 3J12x10G-15 and 4J12x10G-15B vanes are machined at an angle of 10 degrees to the shaft axis with the larger diameter at the open vane face and the smaller diameter at the back impeller shroud. The listed impeller diameter is the mid-point of the vane. Refer to the sketch for these details:



Midpoint (listed) diameter = $\frac{A + B}{2}$

Angle = 15 degrees (2K6x4G-10) or
10 degrees (3J12x10G-15 and 4J12x10G-15B)

Depth of cut, roughing	5.10 mm (0.200 in.)
Feed rate per revolution	0.38 mm (0.015 in.)
Depth of cut, finishing	0.51 mm (0.020 in.)
Feed rate per revolution	0.08 mm (0.003 in.)
Surface speed per minute	91 to 213 m (300 to 700 ft)

- Machining the GRP material produces dust that can be irritating to the operator, but is not hazardous. Dust vacuum systems, skin protection and a dust mask are recommended. A typical machining setup would be as described below.
- Start machining across the outer diameter. Machine from both sides to the middle. Continue with additional cuts until the required impeller diameter is achieved.
- The finished impeller can then be removed from the lathe and installed in the pump. No mechanical balancing or resin coating of the vane tips is required.

6.10.3.1 Polygon impeller drive units

- Position the impeller to sleeve gasket [4590.3] into the groove on the impeller and push impeller, hand tight, onto the shaft. The impeller is a slight interference fit with the shaft and its face should extend 0.38 to 0.89 mm (0.015 to 0.035 in.) from the end of the shaft.
- Seat the impeller by fitting the impeller stud [2913.1] on Group 1 and torque up to 27 Nm (20 lbf•ft) or on Group 2 fit the washer [6541.6] and locknut [3712.2] and torque up to 48 Nm (35 lbf•ft). This will push the impeller face down until it lines up with the end of the shaft.
- Install the impeller nose cone nut gasket [4590.4] on the impeller, fit the impeller nose cone [2912] and tighten hand tight 3 Nm (2 lbf•ft) as this nut does not hold the impeller in place but merely seals the shaft from the fluid.

6.10.3.2 Threaded impeller drive units

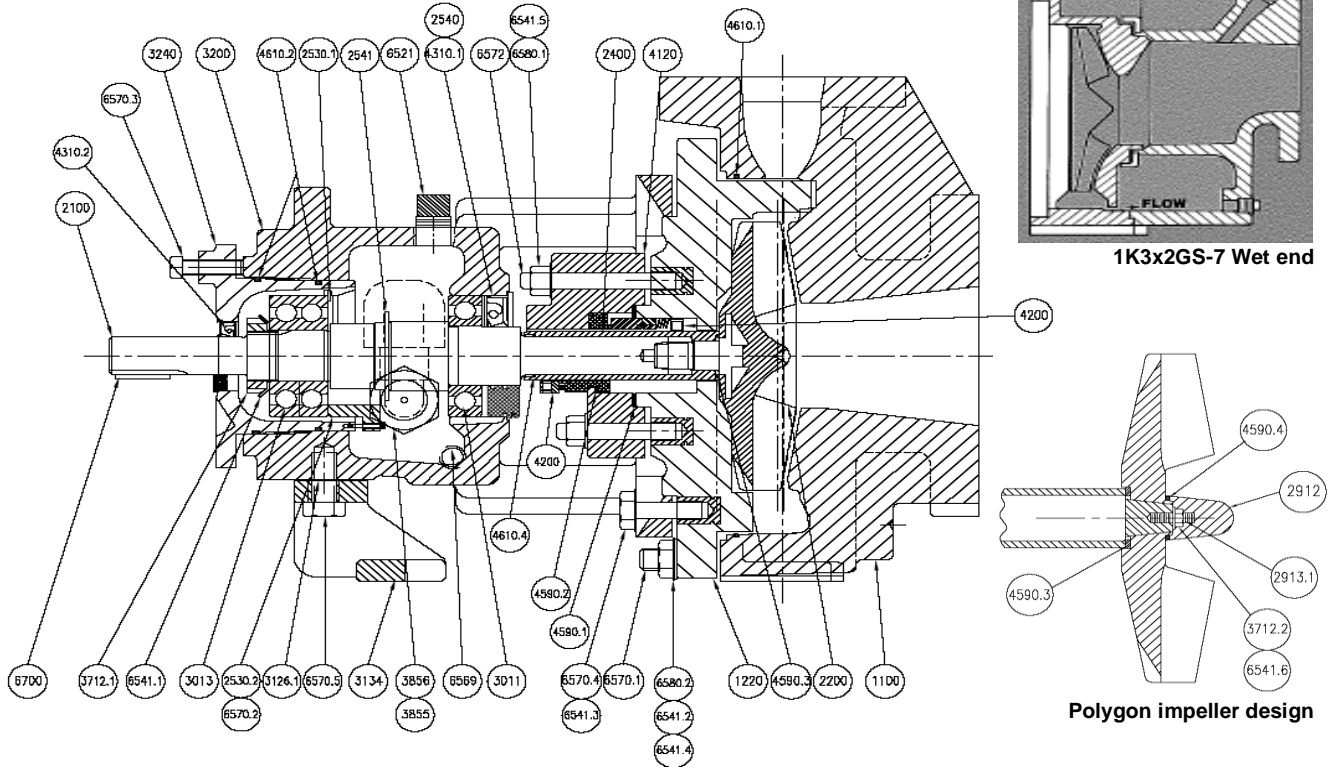
- Position the impeller to sleeve gasket [4590.3] into the groove on the sleeve or impeller.
- Lubricate the impeller threads and pilot fit with light oil having a light graphite suspension.
- Locate the impeller on the shaft and thread on.
- The impeller clearance should now be pre-set to the tabulated dimensions in section 6.6.

6.10.4 Gland fastening to the cover

- For mechanical seals, assemble the gland [4120] onto the gland studs [6572], fit the gland backing plate (if supplied), then fit the gland washers [6541.5] and nuts [6580.2] and torque up evenly to 7 Nm (5 lbf•ft) on Group 1 units and 14 Nm (10 lbf•ft) on all other sizes.
- For external seals, position the seal rotating assembly against the seal stationary face, compress the springs as specified on the seal drawing and tighten the seal setscrews evenly.
- For cartridge seals, tighten the setscrews evenly and remove the gland centering tabs, but retain for future maintenance.

8 PARTS LISTS AND DRAWINGS

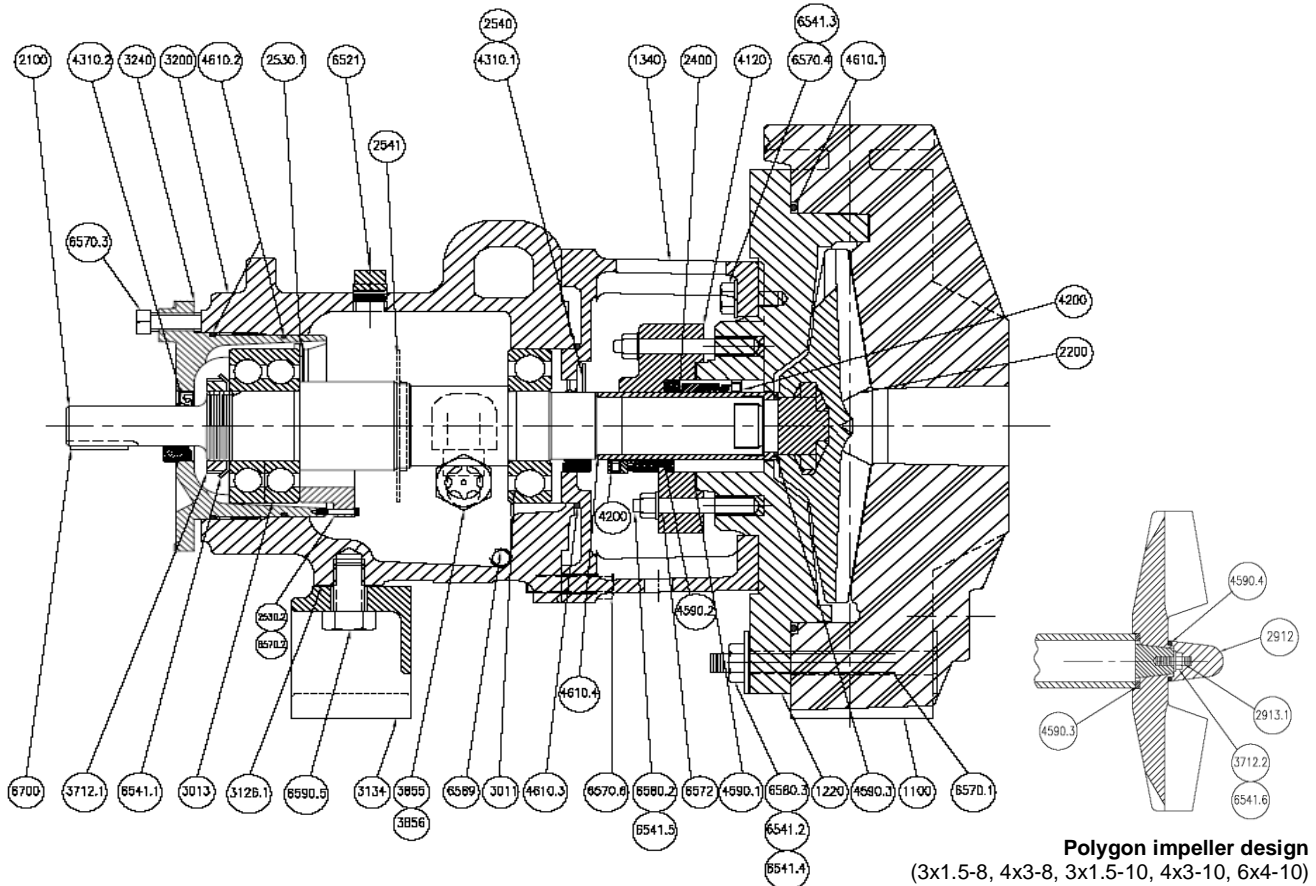
8.1 PolyChem GRP pump, Group 1



Item	Description
1100	Casing
1220	Cover
2100	Shaft
2200	Impeller
2400	Sleeve
2530.1	Retainer – bearing, snap ring
2530.2	Retainer – duplex bearing
2540	Deflector – inboard
2541	Slinger (optional)
2912	Impeller nose cone
2913.1	Impeller stud
3011	Bearing – inboard (radial)
3013	Bearing – outboard (thrust)
3126.1	Shim – rear foot
3134	Foot – bearing housing
3200	Bearing housing
3240	Bearing carrier
3712.1	Locknut – bearing
3712.2	Locknut - impeller
3855	Oiler (optional)
3856	Sight gage – bearing housing
4120	Gland – clamped seat
4200	Mechanical seal
4310.1	Oil seal – inboard
4310.2	Oil seal – outboard
4590.1	Gasket – cover (nose)

4590.2	Gasket – seat to gland
4590.3	Gasket – impeller to sleeve
4590.4	Gasket – nose cone nut
4610.1	O-ring – cover
4610.2	O-ring – bearing carrier
4610.4	O-ring – sleeve to shaft
6521	Vent plug
6541.1	Lockwasher – bearing
6541.2	Lockwasher – casing
6541.3	Lockwasher – adapter to cover
6541.4	Washer – casing
6541.5	Washer – gland
6541.6	Washer – impeller locknut
6569	Plug – housing drain
6570.1	Fastener – casing
6570.2	Fastener – bearing retainer
6570.3	Fastener – carrier setscrews
6570.4	Fastener – adapter to cover
6570.5	Fastener – foot
6570.6	Fastener – gland
6575	Jackscrow – cover (not shown)
6580.2	Hexnut – gland
6580.3	Hexnut – casing
6700	Key – drive shaft

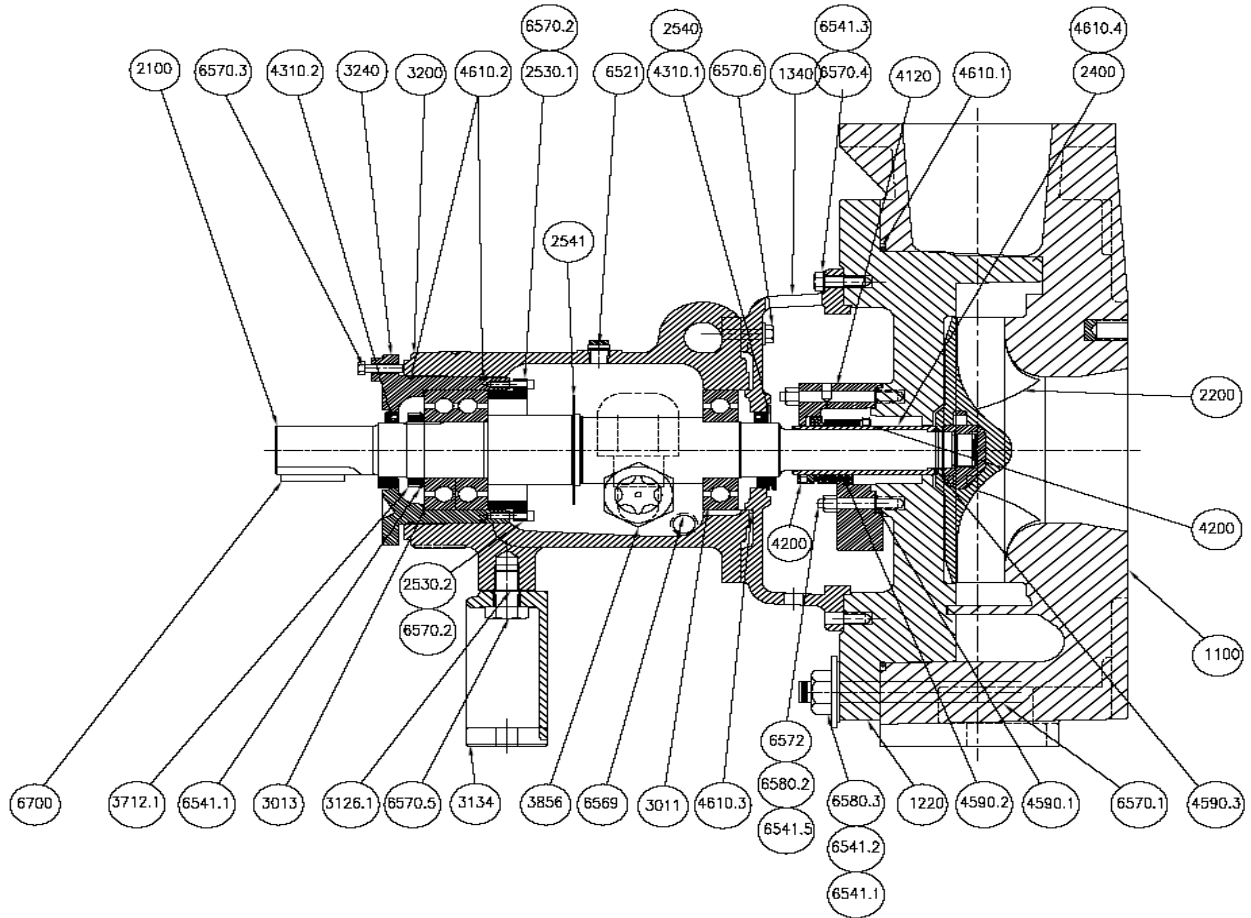
8.2 PolyChem GRP pump, Group 2



Item	Description
1100	Casing
1220	Cover
2100	Shaft
2200	Impeller
2400	Sleeve
2530.1	Retainer – bearing, snap ring
2530.2	Retainer – duplex bearing
2540	Deflector – inboard
2541	Slinger (optional)
2912	Impeller nose cone
2913.1	Impeller stud
3011	Bearing – inboard (radial)
3013	Bearing – outboard (thrust)
3126.1	Shim – rear foot
3134	Foot – bearing housing
3200	Bearing housing
3240	Bearing carrier
3712.1	Locknut – bearing
3712.2	Locknut – impeller
3855	Oiler (optional)
3856	Sight Gage – bearing housing
4120	Gland – clamped seat
4200	Mechanical seal
4310.1	Oil seal – inboard
4310.2	Oil seal –outboard
4590.1	Gasket – cover (nose)

4590.2	Gasket – seat to gland
4590.3	Gasket – impeller to sleeve
4590.4	Gasket – nose cone nut
4610.1	O-ring – cover
4610.2	O-ring – bearing carrier
4610.3	O-ring – adapter to bearing housing
4610.4	O-ring – sleeve to shaft
6521	Vent plug
6541.1	Lockwasher – bearing
6541.2	Lockwasher – casing
6541.3	Lockwasher – adapter to cover
6541.4	Washer – casing
6541.5	Washer – gland
6541.6	Washer – impeller locknut
6569	Plug – housing drain
6570.1	Fastener – casing
6570.2	Fastener – bearing retainer
6570.3	Fastener – carrier setscrews
6570.4	Fastener – adapter to cover
6570.5	Fastener – foot
6570.6	Fastener – gland
6575	Jackscrew – cover (not shown)
6580.2	Hexnut – gland
6580.3	Hexnut – casing
6700	Key – drive shaft

8.3 PolyChem GRP pump, Group 3



Item	Description
1100	Casing
1220	Cover
2100	Shaft
2200	Impeller
2400	Sleeve
2530.1	Retainer – bearing, snap ring
2530.2	Retainer – duplex bearing
2540	Deflector – inboard
2541	Slinger (optional)
2912	Impeller nose cone
2913.1	Impeller stud
3011	Bearing – inboard (radial)
3013	Bearing – outboard (thrust)
3126.1	Shim – rear foot
3134	Foot – bearing housing
3200	Bearing housing
3240	Bearing carrier
3712.1	Locknut – bearing
3712.2	Locknut – impeller
3855	Oiler (optional)
3856	Sight gage – bearing housing
4120	Gland – clamped seat
4200	Mechanical seal
4310.1	Oil seal – inboard
4310.2	Oil seal – outboard
4590.1	Gasket – cover (nose)
4590.2	Gasket – seat to gland

4590.3	Gasket – impeller to sleeve
4590.4	Gasket – nose cone nut
4610.1	O-ring – cover
4610.2	O-ring – bearing carrier
4610.3	O-ring – adapter to bearing housing
4610.4	O-ring – sleeve to shaft
6521	Vent plug
6541.1	Lockwasher – bearing
6541.2	Lockwasher – casing
6541.3	Lockwasher – adapter to cover
6541.4	Washer – casing
6541.5	Washer – gland
6541.6	Washer – impeller locknut
6569	Plug – housing drain
6570.1	Fastener – casing
6570.2	Fastener – bearing retainer
6570.3	Fastener – carrier setscrews
6570.4	Fastener – adapter to cover
6570.5	Fastener – foot
6570.6	Fastener – gland
6575	Jackscrew – cover (not shown)
6580.2	Hexnut – gland
6580.3	Hexnut – casing
6700	Key – drive shaft

8.4 General arrangement drawing

The typical general arrangement drawing and any specific drawings required by the contract will be sent to the Purchaser separately unless the contract specifically calls for these to be included into the User Instructions. If required, copies of other drawings sent separately to the Purchaser should be obtained from the Purchaser and retained with these User Instructions.

9 CERTIFICATION

Certificates determined from the Contract requirements are provided with these Instructions where applicable. Examples are certificates for CE marking, ATEX marking etc. If required, copies of other certificates sent separately to the Purchaser should be obtained from the Purchaser for retention with these User Instructions.

10 OTHER RELEVANT DOCUMENTATION AND MANUALS

10.1 Supplementary User Instruction manuals

Supplementary instruction determined from the contract requirements for inclusion into User Instructions such as for a driver, instrumentation, controller, sub-driver, seals, sealant system, mounting component etc are included under this section. If further copies of these are required they should be obtained from the purchaser for retention with these User Instructions.

Where any pre-printed set of User Instructions are used, and satisfactory quality can be maintained only by avoiding copying these, they are included at the end of these User Instructions such as within a standard clear polymer software protection envelope.

10.2 Change notes

If any changes, agreed with Flowserve Pump Division, are made to the product after its supply, a record of the details should be maintained with these User Instructions.

10.3 Additional sources of information

The following are excellent sources for additional information on centrifugal pumps in general.

Pump Engineering Manual

R.E. Syska, J.R. Birk,
Flowserve Corporation, Dayton, Ohio, 1980.

Specification for Horizontal End Suction Centrifugal Pumps for Chemical Process, ASME B73.5M

The American Society of Mechanical Engineers,
New York, NY.

American National Standard for Centrifugal Pumps for Nomenclature, Definitions, Design and Application (ANSI/HI 1.1-1.3)

Hydraulic Institute, 9 Sylvan Way, Parsippany,
New Jersey 07054-3802.

American National Standard for Centrifugal Pumps for Installation, Operation, and Maintenance (ANSI/HI 1.4)

Hydraulic Institute, 9 Sylvan Way, Parsippany,
New Jersey 07054-3802.

RESP73H Application of ASME B73.5M-1991, Specification for Horizontal End Suction Centrifugal Pumps for Chemical Process, Process Industries Practices

Construction Industry Institute, The University of Texas at Austin, 3208 Red River Street, Suite 300,
Austin, Texas 78705.

Pump Handbook

2nd edition, Igor J. Karassik et al, McGraw-Hill, Inc.,
New York, NY, 1986.

Centrifugal Pump Sourcebook

John W. Dufour and William E. Nelson,
McGraw-Hill, Inc., New York, NY, 1993.

Pumping Manual, 9th edition

T.C. Dickenson, Elsevier Advanced Technology,
Kidlington, United Kingdom, 1995

Your Flowserve factory contact:

Flowserve Pump Division
3900 Cook Boulevard
Chesapeake, VA 23323-1626 USA
Telephone +1 757 485 8000
Fax +1 757 485 8149

Flowserve Pumps
Flowserve GB Limited
Lowfield Works, Balderton
Newark, Notts NG24 3BU
United Kingdom

Telephone (24 hours) +44 1636 494 600
Sales & Admin Fax +44 1636 705 991
Repair & Service Fax +44 1636 494 833

Email newarksales@flowserve.com

Your local Flowserve representative:

To find your local Flowserve representative please use the Sales Support Locator System found at www.flowserve.com

FLOWSERVE REGIONAL SALES OFFICES:**USA and Canada**

Flowserve Corporation
5215 North O'Connor Blvd.,
Suite 2300
Irving, Texas 75039-5421, USA
Telephone +1 972 443 6500
Fax +1 972 443 6800

Europe, Middle East, Africa

Flowserve FSG - Italy
Worthington S.r.l.
Via Rossini 90/92
20033 Desio (Milan), Italy
Telephone +39 0362 6121
Fax +39 0362 628 882

Latin America and Caribbean

Flowserve Corporation
6840 Wynnwood Lane
Houston, Texas 77008, USA
Telephone +1 713 803 4434
Fax +1 713 803 4497

Asia Pacific

Flowserve Pte. Ltd
10 Tuas Loop
Singapore 637345
Telephone +65 6771 0600
Fax +65 6779 4607