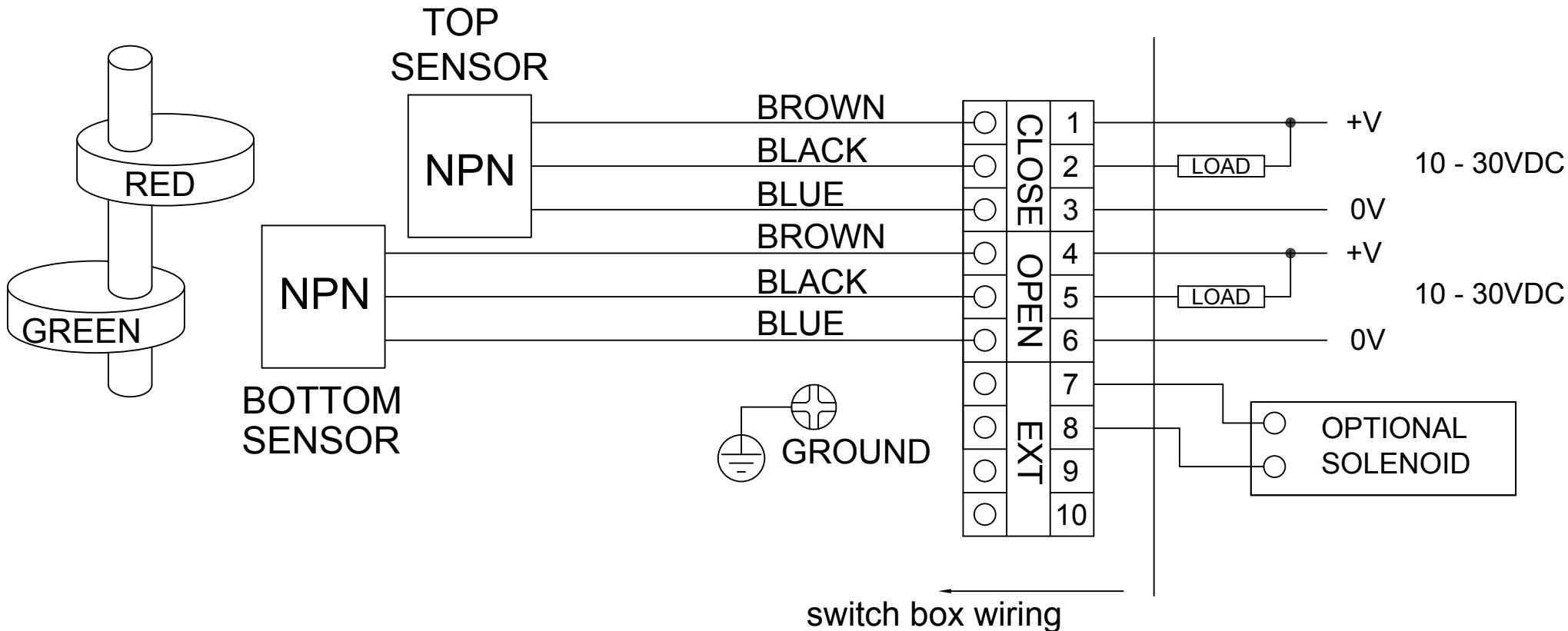


MODEL: APL-321N
 (2) NPN NORMALLY OPEN SOLID STATE SENSORS
 AUTONICS PSN17-5DNU



NOTE
 TYPE:AUTONICS PSN17-5DNU SOLID STATE SENSOR, NPN NORMALLY OPEN
 10 TO 30VDC, 200mA MAX LOAD

THE DESIGN AND DISCLOSURE CONTAINED IN THIS DRAWING WAS ORIGINATED BY, AND IS EXCLUSIVE PROPERTY OF A-T CONTROLS, INC. IT IS FURNISHED FOR VENDOR INFORMATION ONLY AND IS NOT AN AUTHORIZATION -OR- LICENSE TO MAKE THIS CONSTRUCTION OR TO FURNISH THIS INFORMATION TO OTHERS. ALL DRAWINGS MUST BE RETURNED TO A-T CONTROLS, INC. ON DEMAND. THIS DRAWING IS NOT TO BE REPRODUCED OR COPIED IN ANY FORM WITHOUT THE EXPRESS WRITTEN PERMISSION OF A-T CONTROLS, INC.



Division of A-T Controls, Inc.
 9955 International Blvd
 Cincinnati, Ohio 45246
 Phone: (513) 247-5465
 Fax: (513) 247-5462

DRAWN SAH	CHECKED BY	APPROVED
DATE 07/28/14	DATE	DATE
TITLE APL-321N LIMIT SWITCH WITH (2) NPN NORMALLY OPEN AUTONICS SOLID STATE SENSORS		

ECN	DATE	BY
ECN#	DATE	BY

