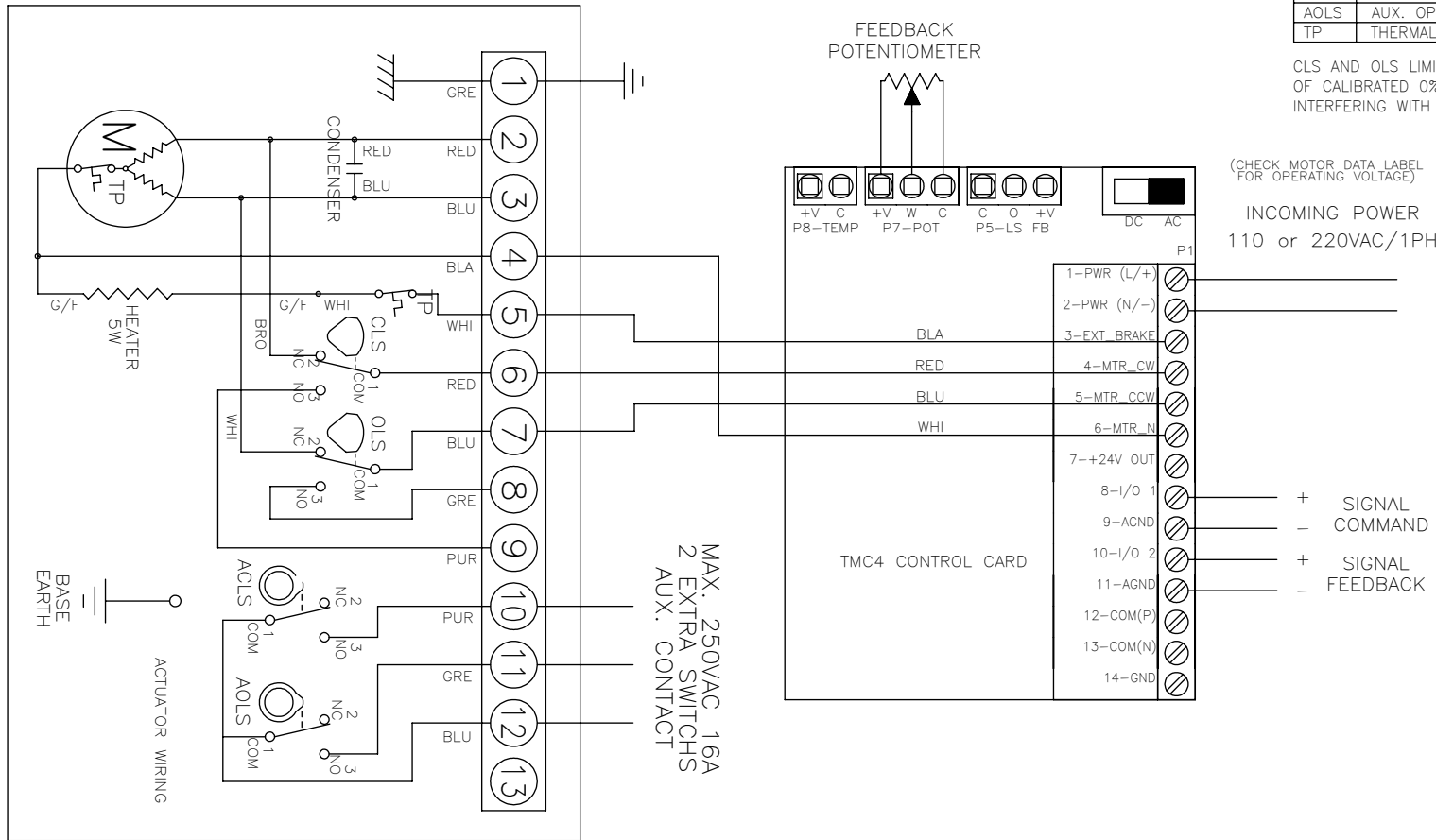


TORQUE AND LIMIT SWITCH OPERATION			
SWITCH	CLOSE ←	INTERMEDIATE	→ OPEN
CLS 1-2			
CLS 1-3			
OLS 1-2			
OLS 1-3			
ACLS1-2			
ACLS1-3			
AOLS1-2			
AOLS1-3			
SYMBOL	DESCRIPTION	RATING	
CLS	CLOSE LIMIT SWITCH	250VAC 10A	
OLS	OPEN LIMIT SWITCH	250VAC 10A	
ACLS	AUX. CLOSE LIMIT SWITCH	250VAC 16A	
AOLS	AUX. OPEN LIMIT SWITCH	250VAC 16A	
TP	THERMAL PROTECTOR	250VAC 15A	

CLS AND OLS LIMIT SWITCHES SET AT OR JUST OUTSIDE OF CALIBRATED 0% - 100% OPERATING RANGE TO AVOID INTERFERING WITH FEEDBACK POTENTIOMETER POSITIONING



(CHECK MOTOR DATA LABEL FOR OPERATING VOLTAGE)

INCOMING POWER
110 or 220VAC/1PH

MAX. 250VAC 16A
2 EXTRA SWITCHES
AUX. CONTACT



9955 INTERNATIONAL BLVD.
CINCINNATI, OHIO 45246
PHONE: (513) 247-5465
FAX: (513) 247-5462

TOLERANCE UNLESS OTHERWISE SPECIFIED:
TWO PLACE DECIMAL DIM. Ø.020
THREE PLACE DECIMAL DIM. Ø.010
ANGULAR DIM. ± .05°

DRAWN BY TEM
DATE 07/09/21

CHECKED BY CMB
DATE 07/09/21

RELEASED BY CMB
DATE 07/09/21

HEAT # SHEET 1 OF 1

MATERIAL

DO NOT SCALE DRAWING

DESCRIPTION
WEM-690, WEM-690E ELECTRIC ACTUATOR
110VAC OR 220VAC SUPPLY
WITH TMC4 SERVO CARD
ANALOG CONTROL AND FEEDBACK

DRAWING NO. SE01689
REVISION A

THE DESIGN AND DISCLOSURE CONTAINED IN THIS DRAWING WAS ORIGINATED BY, AND IS EXCLUSIVE PROPERTY OF A-T CONTROLS, INC. IT IS FURNISHED FOR VENDOR INFORMATION ONLY AND IS NOT AN AUTHORIZATION OR LICENSE TO MAKE THIS CONSTRUCTION OR TO FURNISH THIS INFORMATION TO OTHERS. ALL DRAWINGS MUST BE RETURNED TO A-T CONTROLS, INC. ON DEMAND. THIS DRAWING IS NOT TO BE REPRODUCED OR COPIED IN ANY FORM WITHOUT THE EXPRESS WRITTEN PERMISSION OF A-T CONTROLS, INC.